

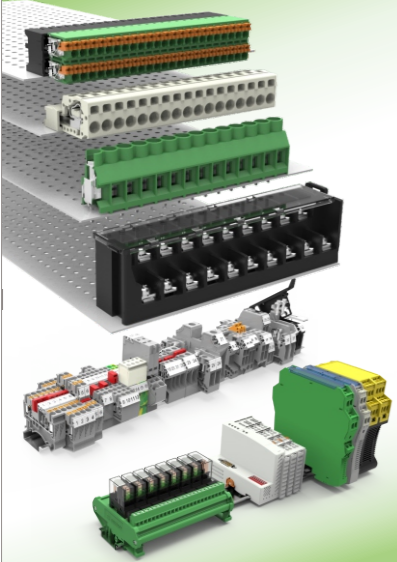


# Circular Connectors

DEGSON Circular Connectors



**DEGSON** Terminal Block



NINGBO DEGSON ELECTRICAL CO., LTD.  
ISO9001 ISO14001 ISO80079-34 ISO/TS22163 IATF16949

**DEGSON** Heavy Duty Connector



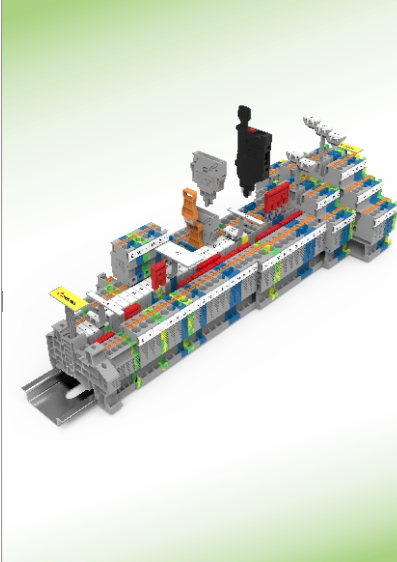
NINGBO DEGSON ELECTRICAL CO., LTD.  
ISO9001 ISO14001 ISO80079-34 ISO/TS22163 IATF16949

**DEGSON** EV Charging Cable



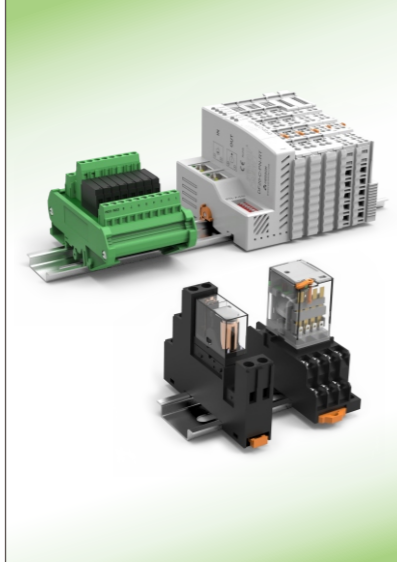
DEGSON TECHNOLOGY CO.,LTD.  
IATF16949

**DEGSON** DIN Rail Terminal Blocks And Accessories System



NINGBO DEGSON ELECTRICAL CO., LTD.  
ISO9001 ISO14001 ISO80079-34 ISO/TS22163 IATF16949

**DEGSON** Electronic product



NINGBO DEGSON ELECTRICAL CO., LTD.  
ISO9001 ISO14001 ISO80079-34 ISO/TS22163 IATF16949

**DEGSON** Customized Product



NINGBO DEGSON ELECTRICAL CO., LTD.  
ISO9001 ISO14001 ISO80079-34 ISO/TS22163 IATF16949

**DEGSON**  
NINGBO DEGSON ELECTRICAL CO., LTD.

Add: No.1585.Xiaolin Road.Cixi.Ningbo China  
P.C.: 315321  
www.degson.com

Tel: +86-574-63510770  
E-mail: sale@degson.com

The catalog is only for reference, and the detail data must be based on our company's specification!



CC 22-E01

ISO9001 ISO14001 ISO80079-34 ISO/TS22163 IATF16949

**STYRETEKNIK**  
Komponenter til industrien

www.styreteknik.dk

## Brief Introduction

Founded in 1990, DEGSON is a global solution provider of electrical, electronic and industrial connectors. As a National High-tech enterprise, DEGSON owns the UL and VDE certified laboratory. The company achieved ISO9001, ISO14001, ISO80079-34, ISO/TS22163 and IATF16949 management system certifications.

DEGSON is engaged in supplying highly reliable and durable products to serve global customers. The company has a market-leading capability of mould processing, automatic manufacturing and advanced testing. DEGSON has the complete engineering ability to support global customers with the professional customization solution and value-added service.

DEGSON products are widely recognized in China, the USA, Germany, the UK, Italy, Spain, Turkey, Japan, South Korea, Singapore, etc. totally hundred countries and regions. DEGSON supply high quality products and provide professional services globally in the industry sectors likely industrial automation, instrument, electric power, railway, marine and offshore, new energy, E-bike industrial elevator, lighting, security, machinery, etc. The company won the recognition from partners among Fortune 500 and industry leading enterprises.

Based on the business philosophy of “pragmatic innovation, responsibility, integrity, harmonious development, regulation and win-win”, DEGSON continuously integrates professional technical resources, R&D innovation, product manufacturing and technology application capabilities. Relying on global sales network, DEGSON aims to supply series of multiple varieties of high-quality products and services. We provide global customers with professional and quick connected application solutions, help customers continue to create value. DEGSON is making contributions to creating a smart and interconnected world.



## First Lab. authorized by UL&VDE in Asia

### Strategic cooperation with UL and VDE



① The general manager of UL global energy & technology division visit our company



② Sven Ohrke, President of VDE global services, comes to DEGSON to discuss strategic cooperation



③ VDE Laboratory Accreditation: In July 2010, VDE Issued the "VDE Authorized Laboratory" Certificate to DEGSON's laboratory.  
UL laboratory accreditation: UL formally issued "UL WTDP" certification to DEGSON in March 2013. On April, 2016, UL-CTDP. On December, 2016, VDE-TDAP. On January, 2017, Pass IRIS system audit.



ISO9001

ISO14001

ISO/TS22163

UL - CTDP

VDE - TDAP

EX certificate



UL Certificates:10, Covering 4000+Products

VDE Certificates:175, Covering 3000+Products

TUV certificate

EAC certificate

CE certificate

European invention patent

# CONTENTS

Circular connector series which functions as signal and power transfer are applied to device connection in industrial environment. While shielded type and unshielded type of circular connector are used in field assembly. What's more, customized circular connectors can be designed according to customer's need.



M5 overmolded with cable plug .....	03-06
M5 Panel mounting .....	07-16



M8 overmolded with cable plug .....	19-28
M8 Panel mounting .....	29-46
M8 Field assembly .....	47-54



M12 overmolded with cable plug .....	57-84
M12 Panel mounting .....	85-116
M12 Field assembly .....	117-142

# CONTENTS



M23 Field assembly .....	145-149
M23 Panel mounting .....	150-154



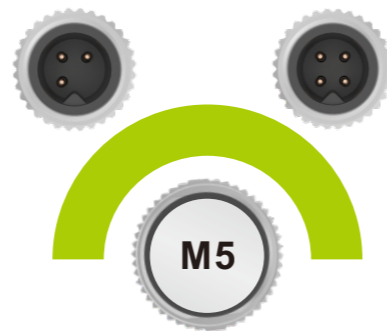
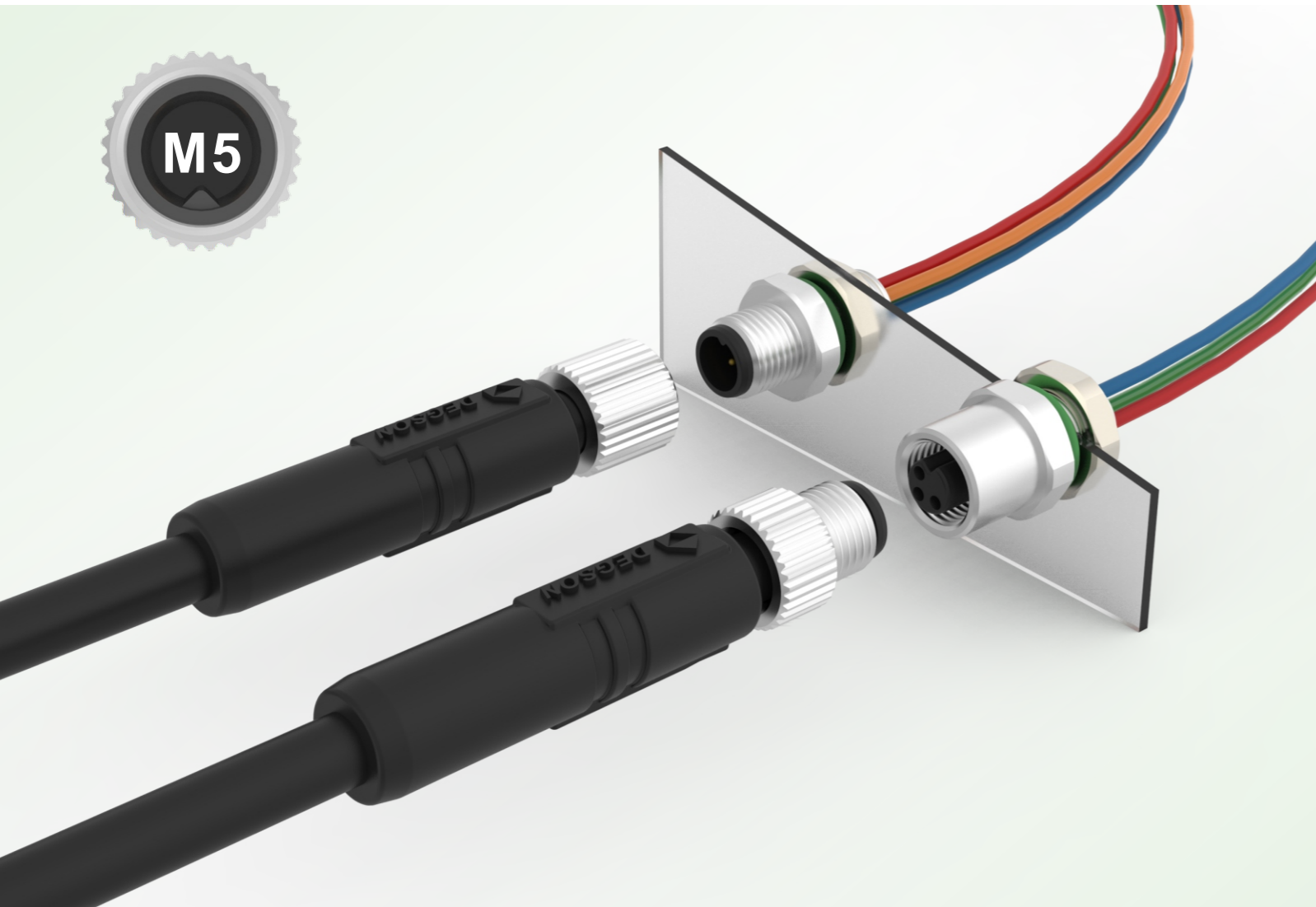
7/8 overmolded with cable plug .....	157-164
7/8 Panel mounting .....	165-174



Servo connector .....	175-178
-----------------------	---------



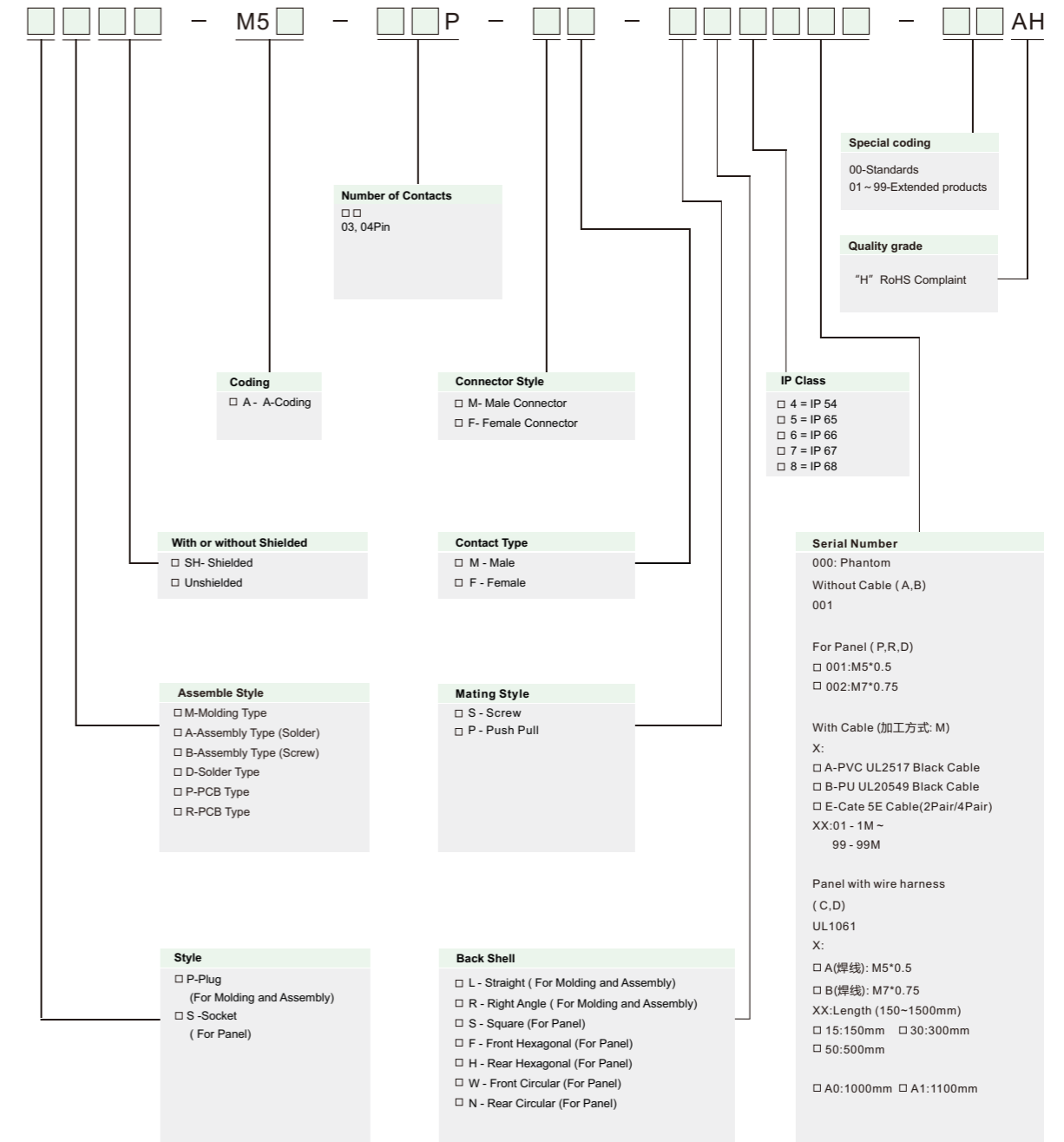
M8, M12 Distributor .....	179-184
---------------------------	---------


**Advantages**

- Good sealing performance, with IP class up to IP 67.
- Micro connectors, save space.
- Suitable for continuous shock and vibration environment.
- compatible with same series connectors on the market.

**Features**

- Cable material: PUR, PVC.
- IP-class: IP65, IP67.
- Wire connection method is optional.
- Compliance with IEC 61076 standard.

**Circular Connectors Part Number**
**Circular Connectors Part Number Reference**


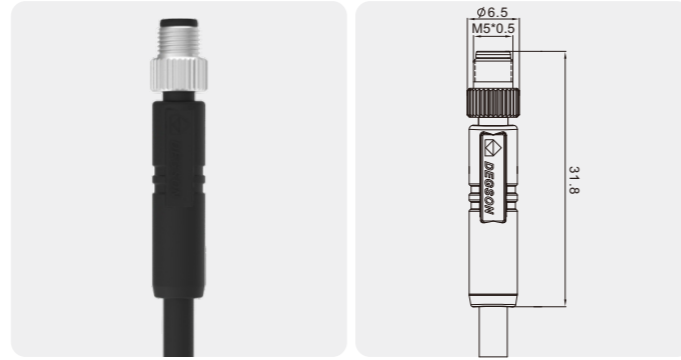
For example:

1. M5 female plug 4Pin: PM-M5A-04P-FF-SL7A01-00A(H)

Details: Plastic covered at the end of wire, M5 A-Coding, 4Pin, female socket female Pin, thread locked, straight head, IP67, PVC black kacket. Covered by UL2517 wire, the length of 1.0M, standard products.

2. Delete "-", "decimal point", "()", "space", then it's the finish product number, such as: PMM5A04PFFSL7A0100A(H)

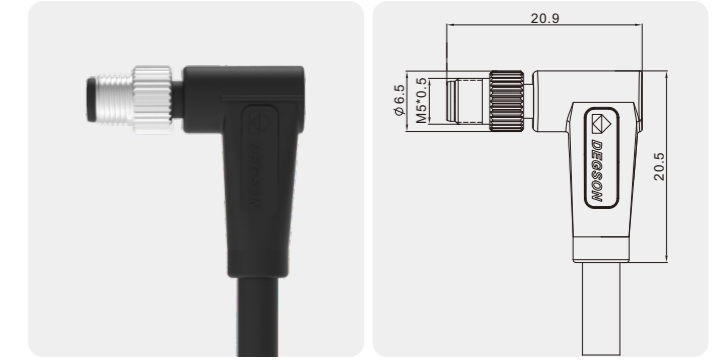
M5 x 0.5 Male Overmolded with Cable plug, Single end, Unshielded, Straight.


**Technical Data**

Standard	IEC 61076	Contact carriers material	PU
Series	M5, Male, Straight	Contact material	Copper Alloy, Gold-plated
Number of Pins	03,04 Pin	Metal of nut	Copper Alloy with Nickel Plated
Rated Current	1A max.	Seal	Silicone
Rated voltage	60V max.	Cable jacket material	PUR / PVC
Insulation resistance	≥100MΩ	Shielding	Unshielded
Contact resistance	≤5mΩ	Mechanical life	> 100 mating cycles
Ambient temperature	- 25 ~ + 80°C	—	—
IP Class	IP67	—	—

Number of Pins		03 Pin	04 Pin
Coding	Coded	A-Coded	A-Coded
	Front View		
Rated current	A.	1A	1A
Rated voltage	V.	60V	60V
Wire/Cable	Wire gauge	26AWG	26AWG
	Cross section	0.14mm <sup>2</sup>	0.14mm <sup>2</sup>
	Wiring list	1.BN 3.BU 4.BK	1.BN 2.WH 3.BU 4.BK
Description		Order NO .	Order NO .
PVC	1m	PM-M5A-03P-MM-SL7A01-00AH	PM-M5A-04P-MM-SL7A01-00AH
	3m	PM-M5A-03P-MM-SL7A03-00AH	PM-M5A-04P-MM-SL7A03-00AH
	5m	PM-M5A-03P-MM-SL7A05-00AH	PM-M5A-04P-MM-SL7A05-00AH
	Customized	.....	.....
PUR	1m	PM-M5A-03P-MM-SL7B01-00AH	PM-M5A-04P-MM-SL7B01-00AH
	3m	PM-M5A-03P-MM-SL7B03-00AH	PM-M5A-04P-MM-SL7B03-00AH
	5m	PM-M5A-03P-MM-SL7B05-00AH	PM-M5A-04P-MM-SL7B05-00AH
	Customized	.....	.....

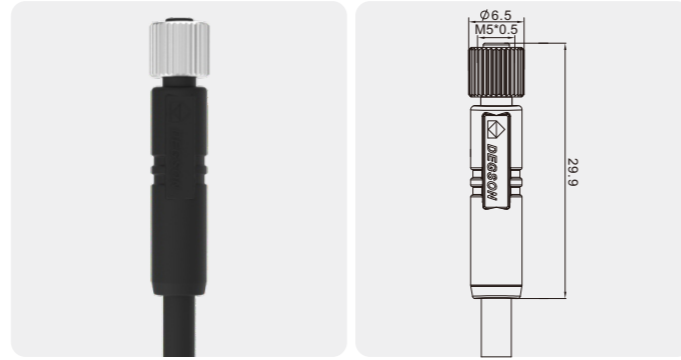
M5 x 0.5 Male Overmolded with Cable plug, Single end, Unshielded, Angled.


**Technical Data**

Standard	IEC 61076	Contact carriers material	PU
Series	M5, Male, Angled	Contact material	Copper Alloy, Gold-plated
Number of Pins	03,04 Pin	Metal of nut	Copper Alloy with Nickel Plated
Rated Current	1A max.	Seal	Silicone
Rated voltage	60V max.	Cable jacket material	PUR / PVC
Insulation resistance	≥100MΩ	Shielding	Unshielded
Contact resistance	≤5mΩ	Mechanical life	> 100 mating cycles
Ambient temperature	- 25 ~ + 80°C	—	—
IP Class	IP67	—	—

Number of Pins		03 Pin	04 Pin
Coding	Coded	A-Coded	A-Coded
	Front View		
Rated current	A.	1A	1A
Rated voltage	V.	60V	60V
Wire/Cable	Wire gauge	26AWG	26AWG
	Cross section	0.14mm <sup>2</sup>	0.14mm <sup>2</sup>
	Wiring list	1.BN 3.BU 4.BK	1.BN 2.WH 3.BU 4.BK
Description		Order NO .	Order NO .
PVC	1m	PM-M5A-03P-MM-SR7A01-00AH	PM-M5A-04P-MM-SR7A01-00AH
	3m	PM-M5A-03P-MM-SR7A03-00AH	PM-M5A-04P-MM-SR7A03-00AH
	5m	PM-M5A-03P-MM-SR7A05-00AH	PM-M5A-04P-MM-SR7A05-00AH
	Customized	.....	.....
PUR	1m	PM-M5A-03P-MM-SR7B01-00AH	PM-M5A-04P-MM-SR7B01-00AH
	3m	PM-M5A-03P-MM-SR7B03-00AH	PM-M5A-04P-MM-SR7B03-00AH
	5m	PM-M5A-03P-MM-SR7B05-00AH	PM-M5A-04P-MM-SR7B05-00AH
	Customized	.....	.....

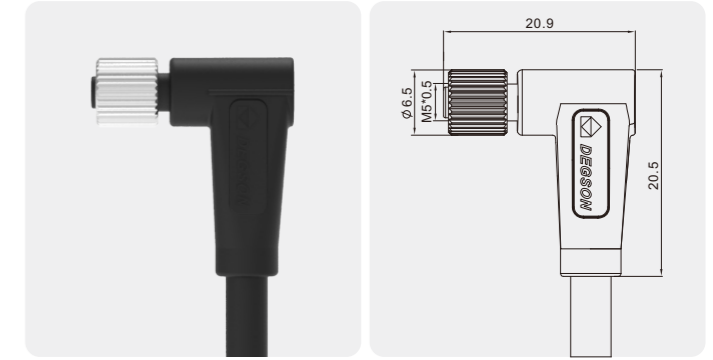
M5 x 0.5 Female Overmolded with Cable plug, Single end, Unshielded, Straight.


**Technical Data**

Standard	IEC 61076	Contact carriers material	PU
Series	M5, Female, Straight	Contact material	Copper Alloy, Gold-plated
Number of Pins	03,04 Pin	Metal of nut	Copper Alloy with Nickel Plated
Rated Current	1A max.	Seal	Silicone
Rated voltage	60V max.	Cable jacket material	PUR / PVC
Insulation resistance	≥100MΩ	Shielding	Unshielded
Contact resistance	≤5mΩ	Mechanical life	> 100 mating cycles
Ambient temperature	- 25 ~ + 80°C	—	—
IP Class	IP67	—	—

Number of Pins		03 Pin	04 Pin
Coding	Coded	A-Coded	A-Coded
	Front View		
Rated current	A.	1A	1A
Rated voltage	V.	60V	60V
Wire/Cable	Wire gauge	26AWG	26AWG
	Cross section	0.14mm <sup>2</sup>	0.14mm <sup>2</sup>
	Wiring list	1.BN 3.BU 4.BK	1.BN 2.WH 3.BU 4.BK
Description		Order NO .	Order NO .
PVC	1m	PM-M5A-03P-FF-SL7A01-00AH	PM-M5A-04P-FF-SL7A01-00AH
	3m	PM-M5A-03P-FF-SL7A03-00AH	PM-M5A-04P-FF-SL7A03-00AH
	5m	PM-M5A-03P-FF-SL7A05-00AH	PM-M5A-04P-FF-SL7A05-00AH
	Customized	.....	.....
PUR	1m	PM-M5A-03P-FF-SL7B01-00AH	PM-M5A-04P-FF-SL7B01-00AH
	3m	PM-M5A-03P-FF-SL7B03-00AH	PM-M5A-04P-FF-SL7B03-00AH
	5m	PM-M5A-03P-FF-SL7B05-00AH	PM-M5A-04P-FF-SL7B05-00AH
	Customized	.....	.....

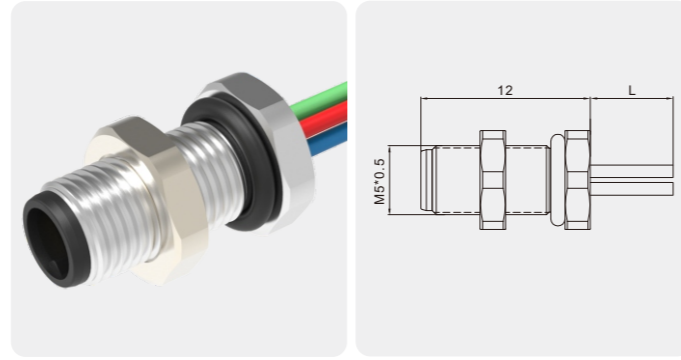
M5 x 0.5 Female Overmolded with Cable plug, Single end, Unshielded, Angled.


**Technical Data**

Standard	IEC 61076	Contact carriers material	PU
Series	M5, Female, Angled	Contact material	Copper Alloy, Gold-plated
Number of Pins	03,04 Pin	Metal of nut	Copper Alloy with Nickel Plated
Rated Current	1A max.	Seal	Silicone
Rated voltage	60V max.	Cable jacket material	PUR / PVC
Insulation resistance	≥100MΩ	Shielding	Unshielded
Contact resistance	≤5mΩ	Mechanical life	> 100 mating cycles
Ambient temperature	- 25 ~ + 80°C	—	—
IP Class	IP67	—	—


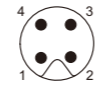
Number of Pins		03 Pin	04 Pin
Coding	Coded	A-Coded	A-Coded
	Front View		
Rated current	A.	1A	1A
Rated voltage	V.	60V	60V
Wire/Cable	Wire gauge	26AWG	26AWG
	Cross section	0.14mm <sup>2</sup>	0.14mm <sup>2</sup>
	Wiring list	1.BN 3.BU 4.BK	1.BN 2.WH 3.BU 4.BK
Description		Order NO .	Order NO .
PVC	1m	PM-M5A-03P-FF-SR7A01-00AH	PM-M5A-04P-FF-SR7A01-00AH
	3m	PM-M5A-03P-FF-SR7A03-00AH	PM-M5A-04P-FF-SR7A03-00AH
	5m	PM-M5A-03P-FF-SR7A05-00AH	PM-M5A-04P-FF-SR7A05-00AH
	Customized	.....	.....
PUR	1m	PM-M5A-03P-FF-SR7B01-00AH	PM-M5A-04P-FF-SR7B01-00AH
	3m	PM-M5A-03P-FF-SR7B03-00AH	PM-M5A-04P-FF-SR7B03-00AH
	5m	PM-M5A-03P-FF-SR7B05-00AH	PM-M5A-04P-FF-SR7B05-00AH
	Customized	.....	.....

M5 x 0.5 Male Panel Mount Receptacle,  
Rear Mounting, with 0.5m wires.

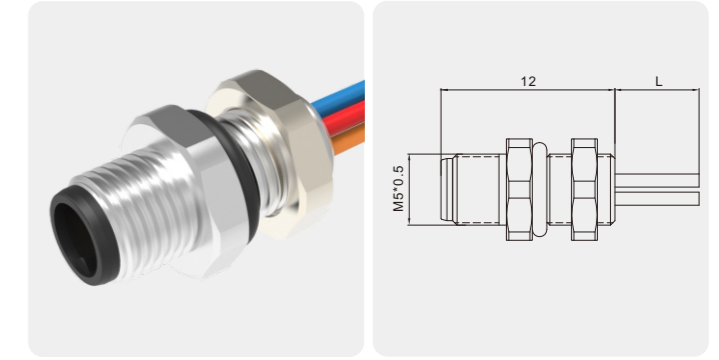


Technical Data

Standard	IEC 61076	Contact carriers material	PA
Series	M5, Male	Contact material	Copper Alloy, Gold-plated
Number of Pins	03,04 Pin	Metal of nut	Copper Alloy with Nickel Plated
Rated Current	1A max.	Seal	Silicone
Rated voltage	60V max.	Shielding	Unshielded
Insulation resistance	≥100MΩ	Mechanical life	> 100 mating cycles
Contact resistance	≤5mΩ	—	—
Ambient temperature	- 40 ~ +85°C	—	—
IP Class	IP67	—	—


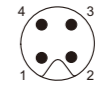
Number of Pins		03 Pin	04 Pin
Coding	Coded	A-Coded	A-Coded
	Front View		
Rated current	A.	1A	1A
Rated voltage	V.	60V	60V
Wire/Cable	Wire gauge	26AWG	26AWG
	Cross section	0.14mm <sup>2</sup>	0.14mm <sup>2</sup>
	Wiring list	1.BN 3.BU 4.BK	1.BN 2.WH 3.BU 4.BK
Description		Order NO .	Order NO .
0.5m		SD-M5A-03P-MM-SF7A50-00AH	SD-M5A-04P-MM-SF7A50-00AH
Customized		.....	.....

M5 x 0.5 Male Panel Mount Receptacle,  
Front Mounting, with 0.5m wires.

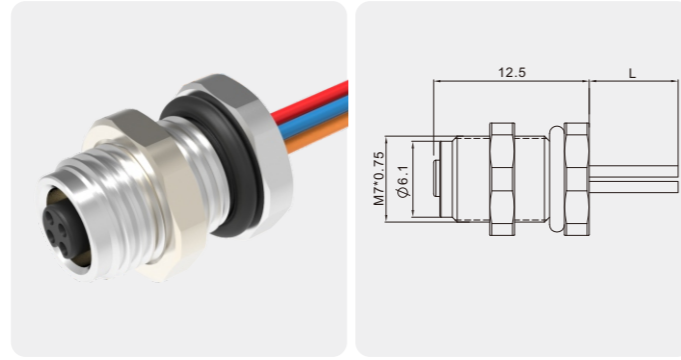


Technical Data

Standard	IEC 61076	Contact carriers material	PA
Series	M5, Male	Contact material	Copper Alloy, Gold-plated
Number of Pins	03,04 Pin	Metal of nut	Copper Alloy with Nickel Plated
Rated Current	1A max.	Seal	Silicone
Rated voltage	60V max.	Shielding	Unshielded
Insulation resistance	≥100MΩ	Mechanical life	> 100 mating cycles
Contact resistance	≤5mΩ	—	—
Ambient temperature	- 40 ~ +85°C	—	—
IP Class	IP67	—	—

Number of Pins		03 Pin	04 Pin
Coding	Coded	A-Coded	A-Coded
	Front View		
Rated current	A.	1A	1A
Rated voltage	V.	60V	60V
Wire/Cable	Wire gauge	26AWG	26AWG
	Cross section	0.14mm <sup>2</sup>	0.14mm <sup>2</sup>
	Wiring list	1.BN 3.BU 4.BK	1.BN 2.WH 3.BU 4.BK
Description		Order NO .	Order NO .
0.5m		SD-M5A-03P-MM-SH7A50-00AH	SD-M5A-04P-MM-SH7A50-00AH
Customized		.....	.....

M5 x 0.5 Female Panel Mount Receptacle,  
Rear Mounting, with 0.5m wires.

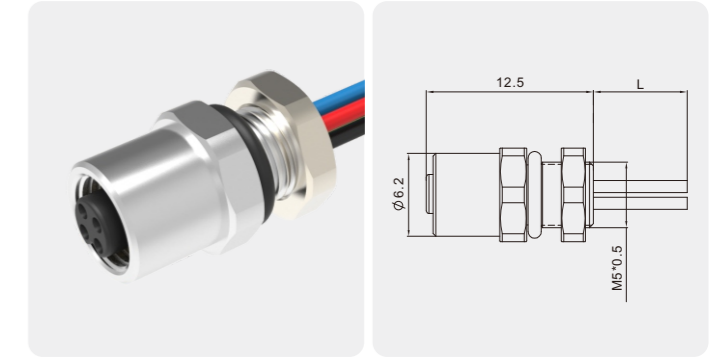


Technical Data

Standard	IEC 61076	Contact carriers material	PA
Series	M5, Female	Contact material	Copper Alloy, Gold-plated
Number of Pins	03,04 Pin	Metal of nut	Copper Alloy with Nickel Plated
Rated Current	1A max.	Seal	Silicone
Rated voltage	60V max.	Shielding	Unshielded
Insulation resistance	≥100MΩ	Mechanical life	> 100 mating cycles
Contact resistance	≤5mΩ	—	—
Ambient temperature	- 40 ~ +85°C	—	—
IP Class	IP67	—	—

Number of Pins		03 Pin	04 Pin
Coding	Coded	A-Coded	A-Coded
	Front View		
Rated current	A.	1A	1A
Rated voltage	V.	60V	60V
Wire/Cable	Wire gauge	26AWG	26AWG
	Cross section	0.14mm <sup>2</sup>	0.14mm <sup>2</sup>
	Wiring list	1.BN 3.BU 4.BK	1.BN 2.WH 3.BU 4.BK
Description		Order NO .	Order NO .
0.5m		SD-M5A-03P-FF-SF7B50-00AH	SD-M5A-04P-FF-SF7B50-00AH
Customized		.....	.....

M5 x 0.5 Female Panel Mount Receptacle,  
Front Mounting, with 0.5m wires.



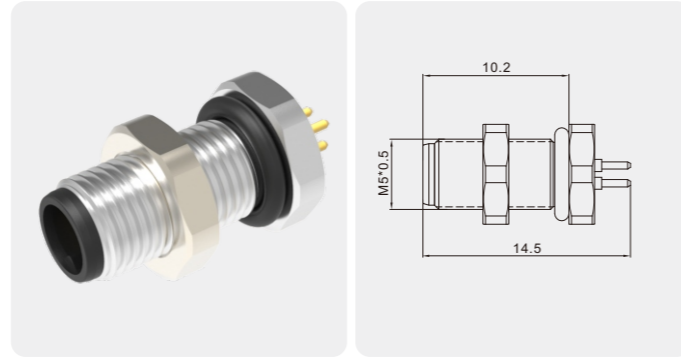
Technical Data

Standard	IEC 61076	Contact carriers material	PA
Series	M5, Female	Contact material	Copper Alloy, Gold-plated
Number of Pins	03,04 Pin	Metal of nut	Copper Alloy with Nickel Plated
Rated Current	1A max.	Seal	Silicone
Rated voltage	60V max.	Shielding	Unshielded
Insulation resistance	≥100MΩ	Mechanical life	> 100 mating cycles
Contact resistance	≤5mΩ	—	—
Ambient temperature	- 40 ~ +85°C	—	—
IP Class	IP67	—	—

Number of Pins		03 Pin	04 Pin
Coding	Coded	A-Coded	A-Coded
	Front View		
Rated current	A.	1A	1A
Rated voltage	V.	60V	60V
Wire/Cable	Wire gauge	26AWG	26AWG
	Cross section	0.14mm <sup>2</sup>	0.14mm <sup>2</sup>
	Wiring list	1.BN 3.BU 4.BK	1.BN 2.WH 3.BU 4.BK
Description		Order NO .	Order NO .
0.5m		SD-M5A-03P-FF-SH7A50-00AH	SD-M5A-04P-FF-SH7A50-00AH
Customized		.....	.....



M5 x 0.5 Male Panel Mount Receptacle,  
Rear Mounting, Unshielded, PCB Soldering.

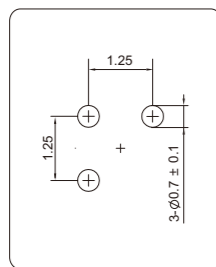


Technical Data

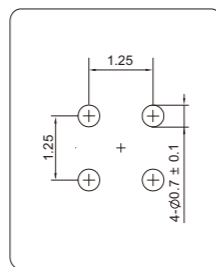
Standard	IEC 61076	Contact carriers material	PA
Series	M5, Male	Contact material	Copper Alloy, Gold-plated
Number of Pins	03,04 Pin	Metal of nut	Copper Alloy with Nickel Plated
Rated Current	1A max.	Seal	Silicone
Rated voltage	60V max.	Shielding	Unshielded
Insulation resistance	≥100MΩ	Mechanical life	> 100 mating cycles
Contact resistance	≤5mΩ	—	—
Ambient temperature	- 40 ~ +85°C	—	—
IP Class	IP67	—	—

Number of Pins		03 Pin	04 Pin
Coding	Coded	A-Coded	A-Coded
	Front View		
Rated current	A.	1A	1A
Rated voltage	V.	60V	60V
Description		Order NO .	Order NO .
—		SP-M5A-03P-MM-SF7001-00AH	SP-M5A-04P-MM-SF7001-00AH

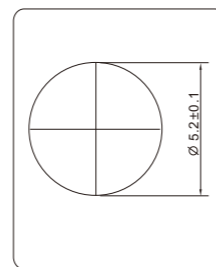
Dimension Figure



PCB Layout

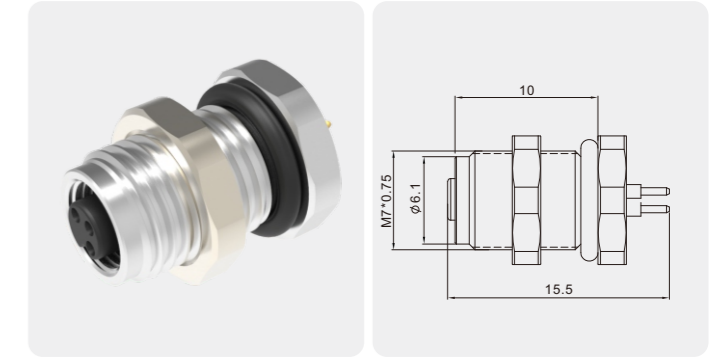


PCB Layout



Panel Cut-Out

M5 x 0.5 Female Panel Mount Receptacle,  
Rear Mounting, Unshielded, PCB Soldering.

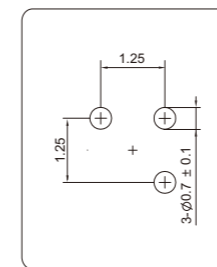


Technical Data

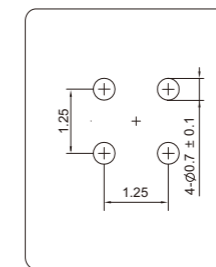
Standard	IEC 61076	Contact carriers material	PA
Series	M5, Female	Contact material	Copper Alloy, Gold-plated
Number of Pins	03,04 Pin	Metal of nut	Copper Alloy with Nickel Plated
Rated Current	1A max.	Seal	Silicone
Rated voltage	60V max.	Shielding	Unshielded
Insulation resistance	≥100MΩ	Mechanical life	> 100 mating cycles
Contact resistance	≤5mΩ	—	—
Ambient temperature	- 40 ~ +85°C	—	—
IP Class	IP67	—	—

Number of Pins		03 Pin	04 Pin
Coding	Coded	A-Coded	A-Coded
	Front View		
Rated current	A.	1A	1A
Rated voltage	V.	60V	60V
Description		Order NO .	Order NO .
—		SP-M5A-03P-FF-SF7002-00AH	SP-M5A-04P-FF-SF7002-00AH

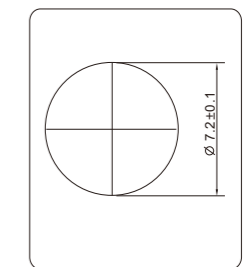
Dimension Figure



PCB Layout

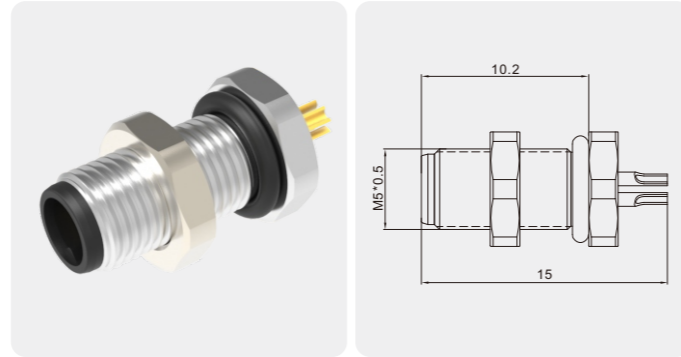


PCB Layout



Panel Cut-Out

M5 x 0.5 Male Panel Mount Receptacle, Rear Mounting, Unshielded, Soldering without wire.

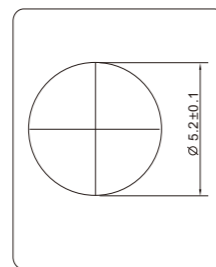


Technical Data

Standard	IEC 61076	Contact carriers material	PA
Series	M5, Male	Contact material	Copper Alloy, Gold-plated
Number of Pins	03,04 Pin	Metal of nut	Copper Alloy with Nickel Plated
Rated Current	1A max.	Seal	Silicone
Rated voltage	60V max.	Shielding	Unshielded
Insulation resistance	≥100MΩ	Mechanical life	> 100 mating cycles
Contact resistance	≤5mΩ	—	—
Ambient temperature	- 40 ~ +85°C	—	—
IP Class	IP67	—	—

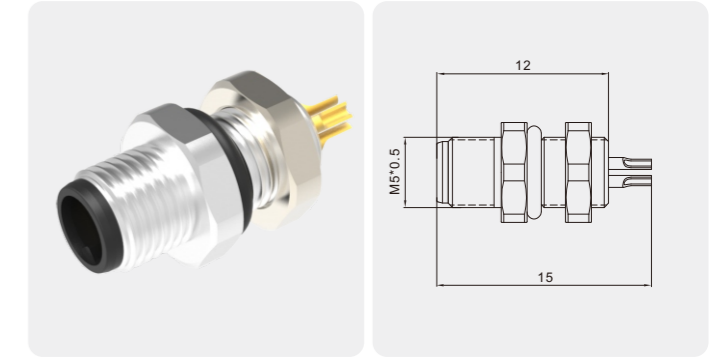
Number of Pins		03 Pin	04 Pin
Coding	Coded	A-Coded	A-Coded
	Front View		
Rated current	A.	1A	1A
Rated voltage	V.	60V	60V
Description		Order NO .	Order NO .
—		SD-M5A-03P-MM-SF7001-00AH	SD-M5A-04P-MM-SF7001-00AH

Dimension Figure



Panel Cut-Out

M5 x 0.5 Male Panel Mount Receptacle, Front Mounting, Unshielded, Soldering without wire.

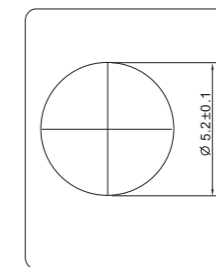


Technical Data

Standard	IEC 61076	Contact carriers material	PA
Series	M5, Male	Contact material	Copper Alloy, Gold-plated
Number of Pins	03,04 Pin	Metal of nut	Copper Alloy with Nickel Plated
Rated Current	1A max.	Seal	Silicone
Rated voltage	60V max.	Shielding	Unshielded
Insulation resistance	≥100MΩ	Mechanical life	> 100 mating cycles
Contact resistance	≤5mΩ	—	—
Ambient temperature	- 40 ~ +85°C	—	—
IP Class	IP67	—	—

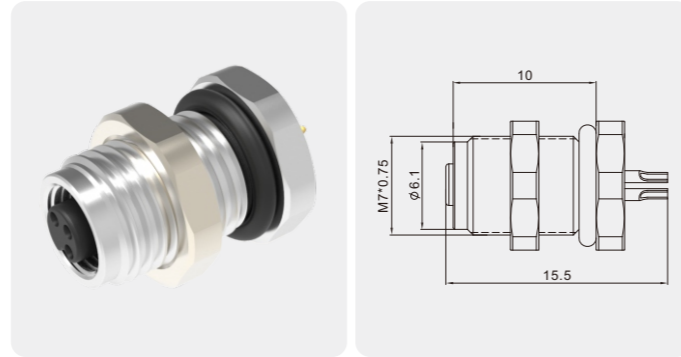
Number of Pins		03 Pin	04 Pin
Coding	Coded	A-Coded	A-Coded
	Front View		
Rated current	A.	1A	1A
Rated voltage	V.	60V	60V
Description		Order NO .	Order NO .
—		SD-M5A-03P-MM-SH7001-00AH	SD-M5A-04P-MM-SH7001-00AH

Dimension Figure



Panel Cut-Out

M5 x 0.5 Female Panel Mount Receptacle, Rear Mounting, Unshielded, Soldering without wire.

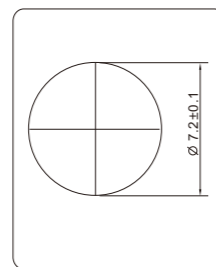


Technical Data

Standard	IEC 61076	Contact carriers material	PA
Series	M5, Female	Contact material	Copper Alloy, Gold-plated
Number of Pins	03,04 Pin	Metal of nut	Copper Alloy with Nickel Plated
Rated Current	1A max.	Seal	Silicone
Rated voltage	60V max.	Shielding	Unshielded
Insulation resistance	≥100MΩ	Mechanical life	> 100 mating cycles
Contact resistance	≤5mΩ	—	—
Ambient temperature	- 40 ~ +85°C	—	—
IP Class	IP67	—	—

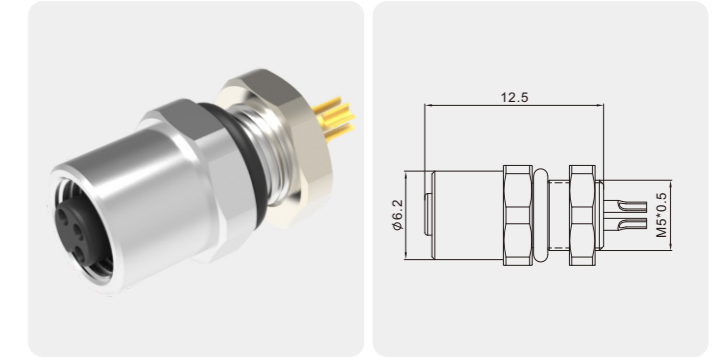
Number of Pins		03 Pin	04 Pin
Coding	Coded	A-Coded	A-Coded
	Front View		
Rated current	A.	1A	1A
Rated voltage	V.	60V	60V
Description		Order NO .	Order NO .
—		SD-M5A-03P-FF-SF7002-00AH	SD-M5A-04P-FF-SF7002-00AH

Dimension Figure



Panel Cut-Out

M5 x 0.5 Female Panel Mount Receptacle, Front Mounting, Unshielded, Soldering without wire.

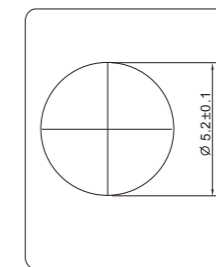


Technical Data

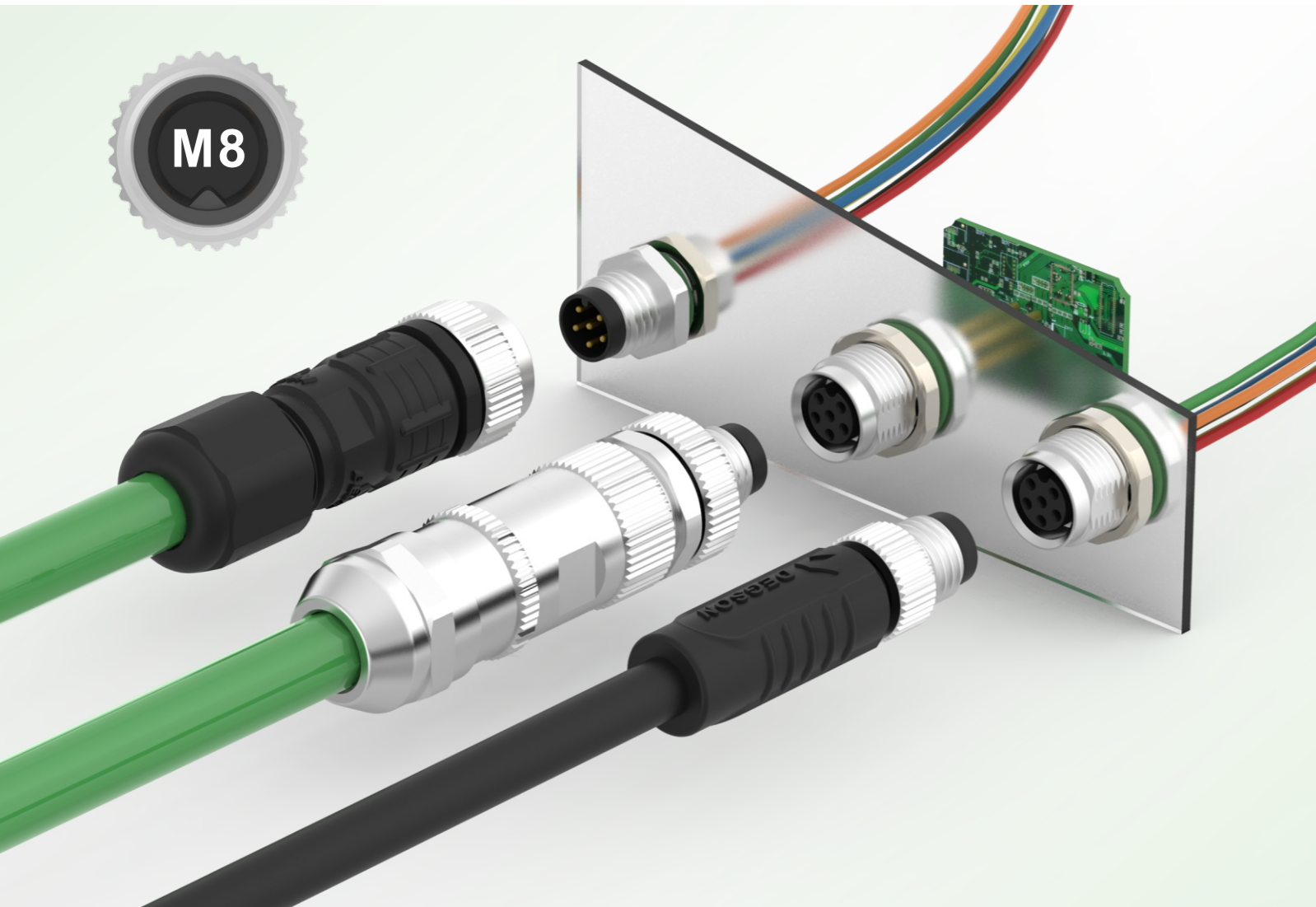
Standard	IEC 61076	Contact carriers material	PA
Series	M5, Female	Contact material	Copper Alloy, Gold-plated
Number of Pins	03,04 Pin	Metal of nut	Copper Alloy with Nickel Plated
Rated Current	1A max.	Seal	Silicone
Rated voltage	60V max.	Shielding	Unshielded
Insulation resistance	≥100MΩ	Mechanical life	> 100 mating cycles
Contact resistance	≤5mΩ	—	—
Ambient temperature	- 40 ~ +85°C	—	—
IP Class	IP67	—	—

Number of Pins		03 Pin	04 Pin
Coding	Coded	A-Coded	A-Coded
	Front View		
Rated current	A.	1A	1A
Rated voltage	V.	60V	60V
Description		Order NO .	Order NO .
—		SD-M5A-03P-FF-SH7001-00AH	SD-M5A-04P-FF-SH7001-00AH

Dimension Figure



Panel Cut-Out



### Advantages

- Good sealing performance ,with IP class up to IP 67.
- Dimension optimization,save space.
- Shield is optional,provide reliable electromagnetic protection.
- Wire connection method is optional, suitable for continuous shock and vibration environment.
- Connection technology is suitable for all application field.
- Compatible with same series connectors on the market.

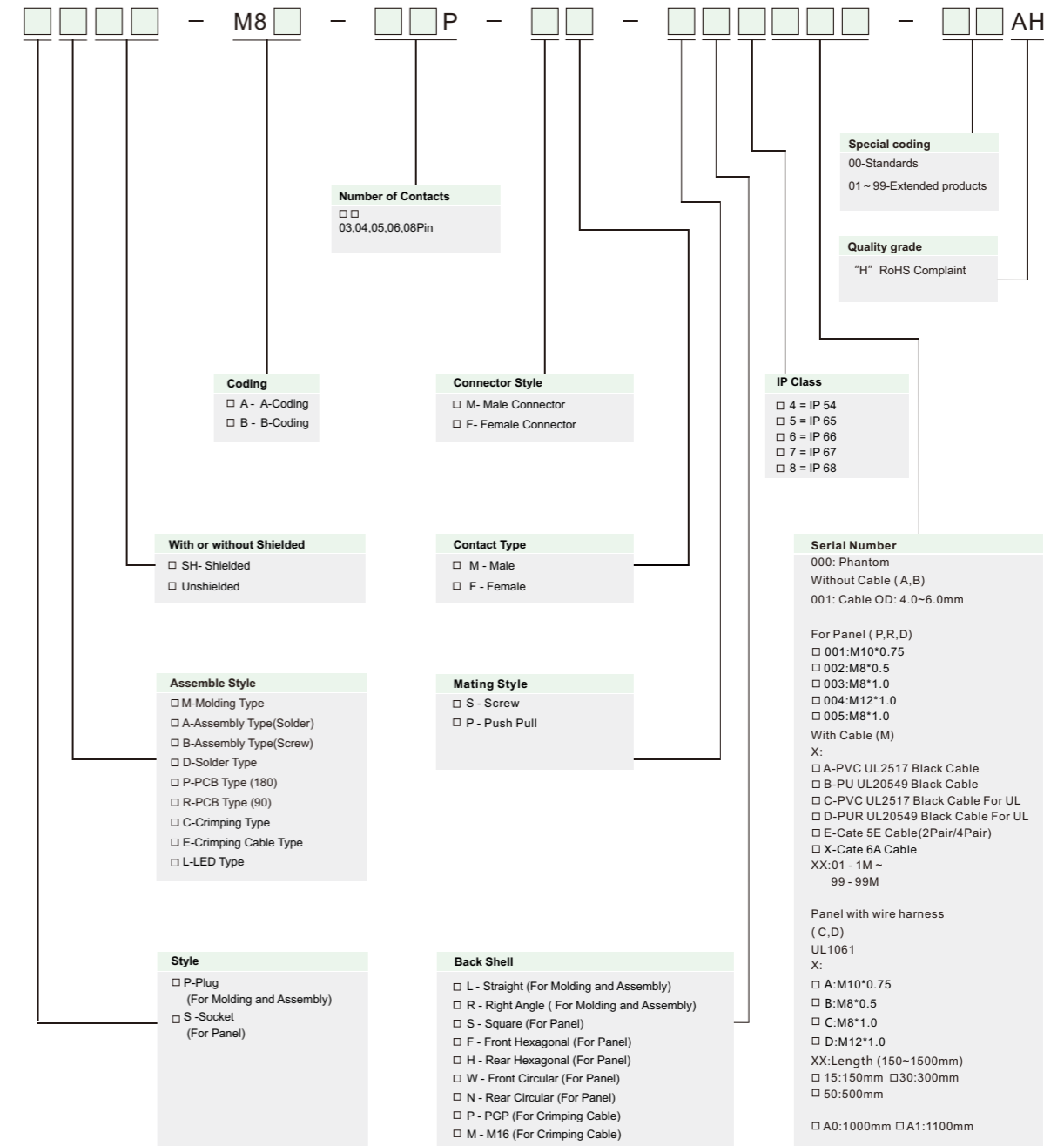
### Features

- Cable material: PUR, PVC.
- IP-class: IP67, IP68.
- Shield is optional.
- Wire connection is optional.
- Compliance with IEC 61076 standard.



## Circular Connectors Part Number

### Circular Connectors Part Number Reference



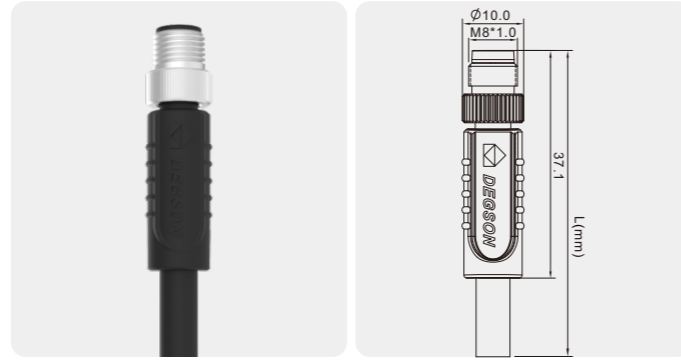
For example:

1. M8 female plug 5Pin: PM-M8B-05P-FF-SL7A01-00A(H)

Details: Plastic covered at the end of wire,M8 B-Coding, 5Pin, female socket female Pin, thread locked, straight head, IP67, PVC black kacket. Covered by UL2517 wire, the length of 1.0M, standard products.

2. Delete "-", "decimal point", "()", "space", then it's the finish product number, such as: PMM8B05PFFSL7A0100AH.

M8 x 1 Male Overmolded with Cable plug, Single end, Unshielded, Straight.

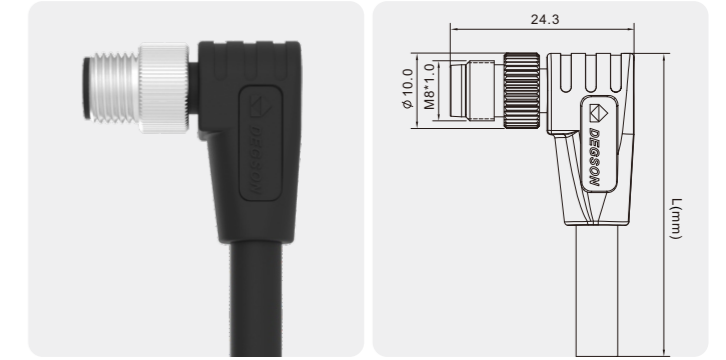


Technical Data

Standard	IEC 61076	Contact carriers material	PU / PA
Series	M8, Male, Straight	Contact material	Copper Alloy, Gold-plated
Number of Pins	03,04,05,06,08 Pin	Metal of nut	Copper Alloy with Nickel Plated
Rated Current	3A max.	Seal	Silicone
Rated voltage	60V max.	Cable jacket material	PUR / PVC
Insulation resistance	≥100MΩ	Shielding	Unshielded
Contact resistance	≤5mΩ	Mechanical life	> 100 mating cycles
Ambient temperature	- 25 ~ + 80°C	—	—
IP Class	IP67	—	—

Number of Pins		03 Pin	04 Pin	05 Pin	06 Pin	08 Pin
Coding	Coded	A-Coded	A-Coded	B-Coded	A-Coded	A-Coded
	Front View					
Rated current	A.	3A	3A	3A	1.5A	1.5A
Rated voltage	V.	60V	60V	30V	30V	30V
Wire/Cable	Wire gauge	24AWG	24AWG	24AWG	26AWG	26AWG
	Cross section	0.25mm <sup>2</sup>	0.25mm <sup>2</sup>	0.25mm <sup>2</sup>	0.14mm <sup>2</sup>	0.14mm <sup>2</sup>
	Wiring list	1.BN 3.BU 4.BK	1.BN 2.WH 3.BU 4.BK	1.BN 2.WH 3.BU 4.BK 5.GY	1.BN 2.WH 3.BU 4.BK 5.GY 6.PK	1.WH 2.BN 3.GN 4.YE 5.GY 6.PK 7.BU 8.RD
Description		Order NO .	Order NO .	Order NO .	Order NO .	Order NO .
PVC	1m	PM-M8A-03P-MM-SL7A01-00AH	PM-M8A-04P-MM-SL7A01-00AH	PM-M8B-05P-MM-SL7A01-00AH	PM-M8A-06P-MM-SL7A01-00AH	PM-M8A-08P-MM-SL7A01-00AH
	3m	PM-M8A-03P-MM-SL7A03-00AH	PM-M8A-04P-MM-SL7A03-00AH	PM-M8B-05P-MM-SL7A03-00AH	PM-M8A-06P-MM-SL7A03-00AH	PM-M8A-08P-MM-SL7A03-00AH
	5m	PM-M8A-03P-MM-SL7A05-00AH	PM-M8A-04P-MM-SL7A05-00AH	PM-M8B-05P-MM-SL7A05-00AH	PM-M8A-06P-MM-SL7A05-00AH	PM-M8A-08P-MM-SL7A05-00AH
	Customized	.....	.....	.....	.....	.....
PUR	1m	PM-M8A-03P-MM-SL7B01-00AH	PM-M8A-04P-MM-SL7B01-00AH	PM-M8B-05P-MM-SL7B01-00AH	PM-M8A-06P-MM-SL7B01-00AH	PM-M8A-08P-MM-SL7B01-00AH
	3m	PM-M8A-03P-MM-SL7B03-00AH	PM-M8A-04P-MM-SL7B03-00AH	PM-M8B-05P-MM-SL7B03-00AH	PM-M8A-06P-MM-SL7B03-00AH	PM-M8A-08P-MM-SL7B03-00AH
	5m	PM-M8A-03P-MM-SL7B05-00AH	PM-M8A-04P-MM-SL7B05-00AH	PM-M8B-05P-MM-SL7B05-00AH	PM-M8A-06P-MM-SL7B05-00AH	PM-M8A-08P-MM-SL7B05-00AH
	Customized	.....	.....	.....	.....	.....
PVC	1m	PM-M8A-03P-MM-SL7C01-00AH	PM-M8A-04P-MM-SL7C01-00AH	PM-M8B-05P-MM-SL7C01-00AH	PM-M8A-06P-MM-SL7C01-00AH	PM-M8A-08P-MM-SL7C01-00AH
	3m	PM-M8A-03P-MM-SL7C03-00AH	PM-M8A-04P-MM-SL7C03-00AH	PM-M8B-05P-MM-SL7C03-00AH	PM-M8A-06P-MM-SL7C03-00AH	PM-M8A-08P-MM-SL7C03-00AH
	5m	PM-M8A-03P-MM-SL7C05-00AH	PM-M8A-04P-MM-SL7C05-00AH	PM-M8B-05P-MM-SL7C05-00AH	PM-M8A-06P-MM-SL7C05-00AH	PM-M8A-08P-MM-SL7C05-00AH
	Customized	.....	.....	.....	.....	.....
PUR	1m	PM-M8A-03P-MM-SL7D01-00AH	PM-M8A-04P-MM-SL7D01-00AH	PM-M8B-05P-MM-SL7D01-00AH	PM-M8A-06P-MM-SL7D01-00AH	PM-M8A-08P-MM-SL7D01-00AH
	3m	PM-M8A-03P-MM-SL7D03-00AH	PM-M8A-04P-MM-SL7D03-00AH	PM-M8B-05P-MM-SL7D03-00AH	PM-M8A-06P-MM-SL7D03-00AH	PM-M8A-08P-MM-SL7D03-00AH
	5m	PM-M8A-03P-MM-SL7D05-00AH	PM-M8A-04P-MM-SL7D05-00AH	PM-M8B-05P-MM-SL7D05-00AH	PM-M8A-06P-MM-SL7D05-00AH	PM-M8A-08P-MM-SL7D05-00AH
	Customized	.....	.....	.....	.....	.....

M8 x 1 Male Overmolded with Cable plug, Single end, Unshielded, Angled.

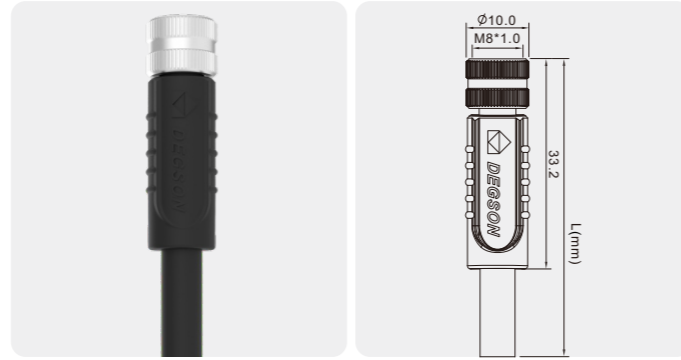


Technical Data

Standard	IEC 61076	Contact carriers material	PU / PA
Series	M8, Male, Angled	Contact material	Copper Alloy, Gold-plated
Number of Pins	03,04,05,06,08 Pin	Metal of nut	Copper Alloy with Nickel Plated
Rated Current	3A max.	Seal	Silicone
Rated voltage	60V max.	Cable jacket material	PUR / PVC
Insulation resistance	≥100MΩ	Shielding	Unshielded
Contact resistance	≤5mΩ	Mechanical life	> 100 mating cycles
Ambient temperature	- 25 ~ + 80°C	—	—
IP Class	IP67	—	—

Number of Pins		03 Pin	04 Pin	05 Pin	06 Pin	08 Pin
Coding	Coded	A-Coded	A-Coded	B-Coded	A-Coded	A-Coded
	Front View					
Rated current	A.	3A	3A	3A	1.5A	1.5A
Rated voltage	V.	60V	60V	30V	30V	30V
Wire/Cable	Wire gauge	24AWG	24AWG	24AWG	26AWG	26AWG
	Cross section	0.25mm <sup>2</sup>	0.25mm <sup>2</sup>	0.25mm <sup>2</sup>	0.14mm <sup>2</sup>	0.14mm <sup>2</sup>
	Wiring list	1.BN 3.BU 4.BK	1.BN 2.WH 3.BU 4.BK	1.BN 2.WH 3.BU 4.BK 5.GY	1.BN 2.WH 3.BU 4.BK 5.GY 6.PK 7.BU 8.RD	
Description		Order NO .	Order NO .	Order NO .	Order NO .	Order NO .
PVC	1m	PM-M8A-03P-MM-SR7A01-00AH	PM-M8A-04P-MM-SR7A01-00AH	PM-M8B-05P-MM-SR7A01-00AH	PM-M8A-06P-MM-SR7A01-00AH	PM-M8A-08P-MM-SR7A01-00AH
	3m	PM-M8A-03P-MM-SR7A03-00AH	PM-M8A-04P-MM-SR7A03-00AH	PM-M8B-05P-MM-SR7A03-00AH	PM-M8A-06P-MM-SR7A03-00AH	PM-M8A-08P-MM-SR7A03-00AH
	5m	PM-M8A-03P-MM-SR7A05-00AH	PM-M8A-04P-MM-SR7A05-00AH	PM-M8B-05P-MM-SR7A05-00AH	PM-M8A-06P-MM-SR7A05-00AH	PM-M8A-08P-MM-SR7A05-00AH
	Customized	.....	.....	.....	.....	.....
PUR	1m	PM-M8A-03P-MM-SR7B01-00AH	PM-M8A-04P-MM-SR7B01-00AH	PM-M8B-05P-MM-SR7B01-00AH	PM-M8A-06P-MM-SR7B01-00AH	PM-M8A-08P-MM-SR7B01-00AH
	3m	PM-M8A-03P-MM-SR7B03-00AH	PM-M8A-04P-MM-SR7B03-00AH	PM-M8B-05P-MM-SR7B03-00AH	PM-M8A-06P-MM-SR7B03-00AH	PM-M8A-08P-MM-SR7B03-00AH
	5m	PM-M8A-03P-MM-SR7B05-00AH	PM-M8A-04P-MM-SR7B05-00AH	PM-M8B-05P-MM-SR7B05-00AH	PM-M8A-06P-MM-SR7B05-00AH	PM-M8A-08P-MM-SR7B05-00AH
	Customized	.....	.....	.....	.....	.....
PVC	1m	PM-M8A-03P-MM-SR7C01-00AH	PM-M8A-04P-MM-SR7C01-00AH	PM-M8B-05P-MM-SR7C01-00AH	PM-M8A-06P-MM-SR7C01-00AH	PM-M8A-08P-MM-SR7C01-00AH
	3m	PM-M8A-03P-MM-SR7C03-00AH	PM-M8A-04P-MM-SR7C03-00AH	PM-M8B-05P-MM-SR7C03-00AH	PM-M8A-06P-MM-SR7C03-00AH	PM-M8A-08P-MM-SR7C03-00AH
	5m	PM-M8A-03P-MM-SR7C05-00AH	PM-M8A-04P-MM-SR7C05-00AH	PM-M8B-05P-MM-SR7C05-00AH	PM-M8A-06P-MM-SR7C05-00AH	PM-M8A-08P-MM-SR7C05-00AH
	Customized	.....	.....	.....	.....	.....
PUR	1m	PM-M8A-03P-MM-SR7D01-00AH	PM-M8A-04P-MM-SR7D01-00AH	PM-M8B-05P-MM-SR7D01-00AH	PM-M8A-06P-MM-SR7D01-00AH	PM-M8A-08P-MM-SR7D01-00AH
	3m	PM-M8A-03P-MM-SR7D03-00AH	PM-M8A-04P-MM-SR7D03-00AH	PM-M8B-05P-MM-SR7D03-00AH	PM-M8A-06P-MM-SR7D03-00AH	PM-M8A-08P-MM-SR7D03-00AH
	5m	PM-M8A-03P-MM-SR7D05-00AH	PM-M8A-04P-MM-SR7D05-00AH	PM-M8B-05P-MM-SR7D05-00AH	PM-M8A-06P-MM-SR7D05-00AH	PM-M8A-08P-MM-SR7D05-00AH
	Customized	.....	.....	.....	.....	.....

M8 x 1 Female Overmolded with Cable plug, Single end, Unshielded, Straight.

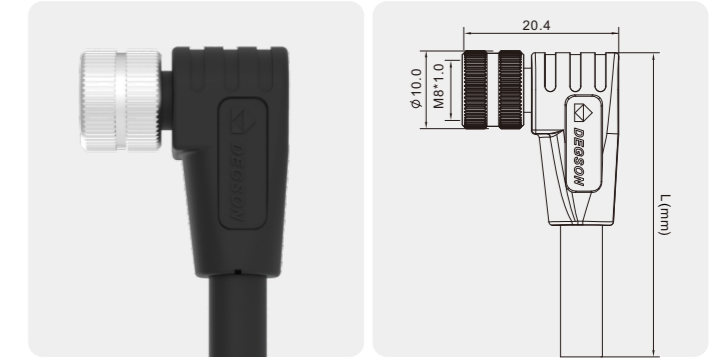


Technical Data

Standard	IEC 61076	Contact carriers material	PU / PA
Series	M8, Female, Straight	Contact material	Copper Alloy, Gold-plated
Number of Pins	03,04,05,06,08 Pin	Metal of nut	Copper Alloy with Nickel Plated
Rated Current	3A max.	Seal	Silicone
Rated voltage	60V max.	Cable jacket material	PUR / PVC
Insulation resistance	≥100MΩ	Shielding	Unshielded
Contact resistance	≤5mΩ	Mechanical life	> 100 mating cycles
Ambient temperature	- 25 ~ + 80°C	—	—
IP Class	IP67	—	—

Number of Pins		03 Pin	04 Pin	05 Pin	06 Pin	08 Pin
Coding	Coded	A-Coded	A-Coded	B-Coded	A-Coded	A-Coded
	Front View					
Rated current	A.	3A	3A	3A	1.5A	1.5A
Rated voltage	V.	60V	60V	30V	30V	30V
Wire/Cable	Wire gauge	24AWG	24AWG	24AWG	26AWG	26AWG
	Cross section	0.25mm <sup>2</sup>	0.25mm <sup>2</sup>	0.25mm <sup>2</sup>	0.14mm <sup>2</sup>	0.14mm <sup>2</sup>
	Wiring list	1.BN 3.BU 4.BK	1.BN 2.WH 3.BU 4.BK	1.BN 2.WH 3.BU 4.BK 5.GY	1.BN 2.WH 3.BU 4.BK 5.GY 6.PK	1.WH 2.BN 3.GN 4.YE 5.GY 6.PK 7.BU 8.RD
Description		Order NO .	Order NO .	Order NO .	Order NO .	Order NO .
PVC	1m	PM-M8A-03P-FF-SL7A01-00AH	PM-M8A-04P-FF-SL7A01-00AH	PM-M8B-05P-FF-SL7A01-00AH	PM-M8A-06P-FF-SL7A01-00AH	PM-M8A-08P-FF-SL7A01-00AH
	3m	PM-M8A-03P-FF-SL7A03-00AH	PM-M8A-04P-FF-SL7A03-00AH	PM-M8B-05P-FF-SL7A03-00AH	PM-M8A-06P-FF-SL7A03-00AH	PM-M8A-08P-FF-SL7A03-00AH
	5m	PM-M8A-03P-FF-SL7A05-00AH	PM-M8A-04P-FF-SL7A05-00AH	PM-M8B-05P-FF-SL7A05-00AH	PM-M8A-06P-FF-SL7A05-00AH	PM-M8A-08P-FF-SL7A05-00AH
	Customized	.....	.....	.....	.....	.....
PUR	1m	PM-M8A-03P-FF-SL7B01-00AH	PM-M8A-04P-FF-SL7B01-00AH	PM-M8B-05P-FF-SL7B01-00AH	PM-M8A-06P-FF-SL7B01-00AH	PM-M8A-08P-FF-SL7B01-00AH
	3m	PM-M8A-03P-FF-SL7B03-00AH	PM-M8A-04P-FF-SL7B03-00AH	PM-M8B-05P-FF-SL7B03-00AH	PM-M8A-06P-FF-SL7B03-00AH	PM-M8A-08P-FF-SL7B03-00AH
	5m	PM-M8A-03P-FF-SL7B05-00AH	PM-M8A-04P-FF-SL7B05-00AH	PM-M8B-05P-FF-SL7B05-00AH	PM-M8A-06P-FF-SL7B05-00AH	PM-M8A-08P-FF-SL7B05-00AH
	Customized	.....	.....	.....	.....	.....
PVC	1m	PM-M8A-03P-FF-SL7C01-00AH	PM-M8A-04P-FF-SL7C01-00AH	PM-M8B-05P-FF-SL7C01-00AH	PM-M8A-06P-FF-SL7C01-00AH	PM-M8A-08P-FF-SL7A01-00AH
	3m	PM-M8A-03P-FF-SL7C03-00AH	PM-M8A-04P-FF-SL7C03-00AH	PM-M8B-05P-FF-SL7C03-00AH	PM-M8A-06P-FF-SL7C03-00AH	PM-M8A-08P-FF-SL7A03-00AH
	5m	PM-M8A-03P-FF-SL7C05-00AH	PM-M8A-04P-FF-SL7C05-00AH	PM-M8B-05P-FF-SL7C05-00AH	PM-M8A-06P-FF-SL7C05-00AH	PM-M8A-08P-FF-SL7A05-00AH
	Customized	.....	.....	.....	.....	.....
PUR	1m	PM-M8A-03P-FF-SL7D01-00AH	PM-M8A-04P-FF-SL7D01-00AH	PM-M8B-05P-FF-SL7D01-00AH	PM-M8A-06P-FF-SL7D01-00AH	PM-M8A-08P-FF-SL7D01-00AH
	3m	PM-M8A-03P-FF-SL7D03-00AH	PM-M8A-04P-FF-SL7D03-00AH	PM-M8B-05P-FF-SL7D03-00AH	PM-M8A-06P-FF-SL7D03-00AH	PM-M8A-08P-FF-SL7D03-00AH
	5m	PM-M8A-03P-FF-SL7D05-00AH	PM-M8A-04P-FF-SL7D05-00AH	PM-M8B-05P-FF-SL7D05-00AH	PM-M8A-06P-FF-SL7D05-00AH	PM-M8A-08P-FF-SL7D05-00AH
	Customized	.....	.....	.....	.....	.....

M8 x 1 Female Overmolded with Cable plug, Single end, Unshielded, Angled.

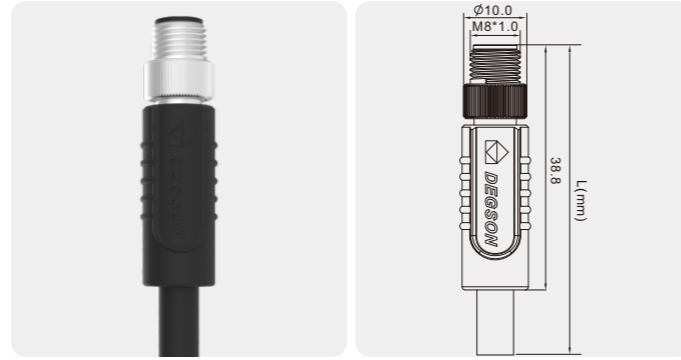


Technical Data

Standard	IEC 61076	Contact carriers material	PU / PA
Series	M8, Female, Angled	Contact material	Copper Alloy, Gold-plated
Number of Pins	03,04,05,06,08 Pin	Metal of nut	Copper Alloy with Nickel Plated
Rated Current	3A max.	Seal	Silicone
Rated voltage	60V max.	Cable jacket material	PUR / PVC
Insulation resistance	≥100MΩ	Shielding	Unshielded
Contact resistance	≤5mΩ	Mechanical life	> 100 mating cycles
Ambient temperature	- 25 ~ + 80°C	—	—
IP Class	IP67	—	—

Number of Pins		03 Pin	04 Pin	05 Pin	06 Pin	08 Pin
Coding	Coded	A-Coded	A-Coded	B-Coded	A-Coded	A-Coded
	Front View					
Rated current	A.	3A	3A	3A	1.5A	1.5A
Rated voltage	V.	60V	60V	30V	30V	30V
Wire/Cable	Wire gauge	24AWG	24AWG	24AWG	26AWG	26AWG
	Cross section	0.25mm <sup>2</sup>	0.25mm <sup>2</sup>	0.25mm <sup>2</sup>	0.14mm <sup>2</sup>	0.14mm <sup>2</sup>
	Wiring list	1.BN 3.BU 4.BK	1.BN 2.WH 3.BU 4.BK	1.BN 2.WH 3.BU 4.BK 5.GY	1.BN 2.WH 3.BU 4.BK 5.GY 6.PK 7.BU 8.RD	
Description		Order NO .	Order NO .	Order NO .	Order NO .	Order NO .
PVC	1m	PM-M8A-03P-FF-SR7A01-00AH	PM-M8A-04P-FF-SR7A01-00AH	PM-M8B-05P-FF-SR7A01-00AH	PM-M8A-06P-FF-SR7A01-00AH	PM-M8A-08P-FF-SR7A01-00AH
	3m	PM-M8A-03P-FF-SR7A03-00AH	PM-M8A-04P-FF-SR7A03-00AH	PM-M8B-05P-FF-SR7A03-00AH	PM-M8A-06P-FF-SR7A03-00AH	PM-M8A-08P-FF-SR7A03-00AH
	5m	PM-M8A-03P-FF-SR7A05-00AH	PM-M8A-04P-FF-SR7A05-00AH	PM-M8B-05P-FF-SR7A05-00AH	PM-M8A-06P-FF-SR7A05-00AH	PM-M8A-08P-FF-SR7A05-00AH
	Customized	.....	.....	.....	.....	.....
PUR	1m	PM-M8A-03P-FF-SR7B01-00AH	PM-M8A-04P-FF-SR7B01-00AH	PM-M8B-05P-FF-SR7B01-00AH	PM-M8A-06P-FF-SR7B01-00AH	PM-M8A-08P-FF-SR7B01-00AH
	3m	PM-M8A-03P-FF-SR7B03-00AH	PM-M8A-04P-FF-SR7B03-00AH	PM-M8B-05P-FF-SR7B03-00AH	PM-M8A-06P-FF-SR7B03-00AH	PM-M8A-08P-FF-SR7B03-00AH
	5m	PM-M8A-03P-FF-SR7B05-00AH	PM-M8A-04P-FF-SR7B05-00AH	PM-M8B-05P-FF-SR7B05-00AH	PM-M8A-06P-FF-SR7B05-00AH	PM-M8A-08P-FF-SR7B05-00AH
	Customized	.....	.....	.....	.....	.....
PVC	1m	PM-M8A-03P-FF-SR7C01-00AH	PM-M8A-04P-FF-SR7C01-00AH	PM-M8B-05P-FF-SR7C01-00AH	PM-M8A-06P-FF-SR7C01-00AH	PM-M8A-08P-FF-SR7C01-00AH
	3m	PM-M8A-03P-FF-SR7C03-00AH	PM-M8A-04P-FF-SR7C03-00AH	PM-M8B-05P-FF-SR7C03-00AH	PM-M8A-06P-FF-SR7C03-00AH	PM-M8A-08P-FF-SR7C03-00AH
	5m	PM-M8A-03P-FF-SR7C05-00AH	PM-M8A-04P-FF-SR7C05-00AH	PM-M8B-05P-FF-SR7C05-00AH	PM-M8A-06P-FF-SR7C05-00AH	PM-M8A-08P-FF-SR7C05-00AH
	Customized	.....	.....	.....	.....	.....
PUR	1m	PM-M8A-03P-FF-SR7D01-00AH	PM-M8A-04P-FF-SR7D01-00AH	PM-M8B-05P-FF-SR7D01-00AH	PM-M8A-06P-FF-SR7D01-00AH	PM-M8A-08P-FF-SR7D01-00AH
	3m	PM-M8A-03P-FF-SR7D03-00AH	PM-M8A-04P-FF-SR7D03-00AH	PM-M8B-05P-FF-SR7D03-00AH	PM-M8A-06P-FF-SR7D03-00AH	PM-M8A-08P-FF-SR7D03-00AH
	5m	PM-M8A-03P-FF-SR7D05-00AH	PM-M8A-04P-FF-SR7D05-00AH	PM-M8B-05P-FF-SR7D05-00AH	PM-M8A-06P-FF-SR7D05-00AH	PM-M8A-08P-FF-SR7D05-00AH
	Customized	.....	.....	.....	.....	.....

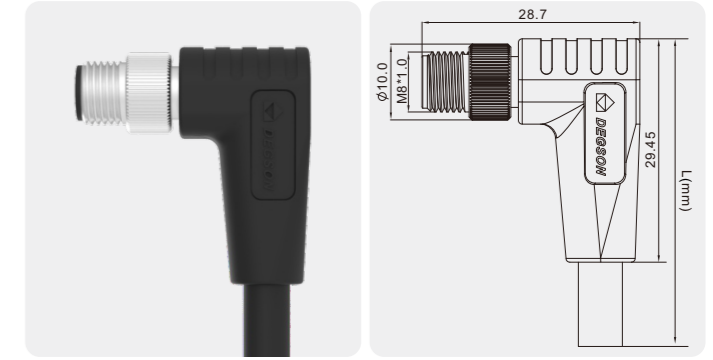
M8 x 1 Male Overmolded with Cable plug, Single end, Shielded, Straight.


**Technical Data**

Standard	IEC 61076	Contact carriers material	PA
Series	M8, Male, Straight	Contact material	Copper Alloy, Gold-plated
Number of Pins	03,04,05,06,08 Pin	Metal of nut	Copper Alloy with Nickel Plated
Rated Current	3A max.	Seal	Silicone
Rated voltage	60V max.	Cable jacket material	PUR / PVC
Insulation resistance	≥100MΩ	Shielding	Shielded
Contact resistance	≤5mΩ	Mechanical life	> 100 mating cycles
Ambient temperature	- 25 ~ + 80°C	—	—
IP Class	IP67	—	—

Number of Pins		03 Pin	04 Pin	05 Pin	06 Pin	08 Pin
Coding	Coded	A-Coded	A-Coded	B-Coded	A-Coded	A-Coded
	Front View					
Rated current	A.	3A	3A	3A	1.5A	1.5A
Rated voltage	V.	60V	60V	30V	30V	30V
Wire/Cable	Wire gauge	24AWG	24AWG	24AWG	26AWG	26AWG
	Cross section	0.25mm <sup>2</sup>	0.25mm <sup>2</sup>	0.25mm <sup>2</sup>	0.14mm <sup>2</sup>	0.14mm <sup>2</sup>
	Wiring list	1.BN 3.BU 4.BK	1.BN 2.WH 3.BU 4.BK	1.BN 2.WH 3.BU 4.BK 5.GY	1.BN 3.BU 4.BK 5.GY 6.PK	1.WH 2.BN 3.GN 4.YE 5.GY 6.PK 7.BU 8.RD
Description		Order NO .	Order NO .	Order NO .	Order NO .	Order NO .
PVC	1m	PMSH-M8A-03P-MM-SL7C01-00AH	PMSH-M8A-04P-MM-SL7C01-00AH	PMSH-M8B-05P-MM-SL7C01-00AH	PMSH-M8A-06P-MM-SL7C01-00AH	PMSH-M8A-08P-MM-SL7C01-00AH
	3m	PMSH-M8A-03P-MM-SL7C03-00AH	PMSH-M8A-04P-MM-SL7C03-00AH	PMSH-M8B-05P-MM-SL7C03-00AH	PMSH-M8A-06P-MM-SL7C03-00AH	PMSH-M8A-08P-MM-SL7C03-00AH
	5m	PMSH-M8A-03P-MM-SL7C05-00AH	PMSH-M8A-04P-MM-SL7C05-00AH	PMSH-M8B-05P-MM-SL7C05-00AH	PMSH-M8A-06P-MM-SL7C05-00AH	PMSH-M8A-08P-MM-SL7C05-00AH
	Customized	.....	.....	.....	.....	.....
PUR	1m	PMSH-M8A-03P-MM-SL7D01-00AH	PMSH-M8A-04P-MM-SL7D01-00AH	PMSH-M8B-05P-MM-SL7D01-00AH	PMSH-M8A-06P-MM-SL7D01-00AH	PMSH-M8A-08P-MM-SL7D01-00AH
	3m	PMSH-M8A-03P-MM-SL7D03-00AH	PMSH-M8A-04P-MM-SL7D03-00AH	PMSH-M8B-05P-MM-SL7D03-00AH	PMSH-M8A-06P-MM-SL7D03-00AH	PMSH-M8A-08P-MM-SL7D03-00AH
	5m	PMSH-M8A-03P-MM-SL7D05-00AH	PMSH-M8A-04P-MM-SL7D05-00AH	PMSH-M8B-04P-MM-SL7D05-00AH	PMSH-M8A-06P-MM-SL7D05-00AH	PMSH-M8A-08P-MM-SL7D05-00AH
	Customized	.....	.....	.....	.....	.....

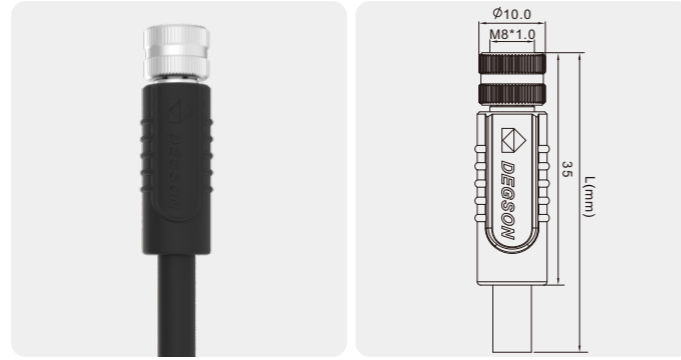
M8 x 1 Male Overmolded with Cable plug, Single end, Shielded, Angled.


**Technical Data**

Standard	IEC 61076	Contact carriers material	PA
Series	M8, Male, Angled	Contact material	Copper Alloy, Gold-plated
Number of Pins	03,04,05,06,08 Pin	Metal of nut	Copper Alloy with Nickel Plated
Rated Current	3A max.	Seal	Silicone
Rated voltage	60V max.	Cable jacket material	PUR / PVC
Insulation resistance	≥100MΩ	Shielding	Shielded
Contact resistance	≤5mΩ	Mechanical life	> 100 mating cycles
Ambient temperature	- 25 ~ + 80°C	—	—
IP Class	IP67	—	—

Number of Pins		03 Pin	04 Pin	05 Pin	06 Pin	08 Pin
Coding	Coded	A-Coded	A-Coded	B-Coded	A-Coded	A-Coded
	Front View					
Rated current	A.	3A	3A	3A	1.5A	1.5A
Rated voltage	V.	60V	60V	30V	30V	30V
Wire/Cable	Wire gauge	24AWG	24AWG	24AWG	26AWG	26AWG
	Cross section	0.25mm <sup>2</sup>	0.25mm <sup>2</sup>	0.25mm <sup>2</sup>	0.14mm <sup>2</sup>	0.14mm <sup>2</sup>
	Wiring list	1.BN 3.BU 4.BK	1.BN 2.WH 3.BU 4.BK	1.BN 2.WH 3.BU 4.BK 5.GY	1.BN 3.BU 4.BK 5.GY 6.PK	1.WH 2.BN 3.GN 4.YE 5.GY 6.PK 7.BU 8.RD
Description		Order NO .	Order NO .	Order NO .	Order NO .	Order NO .
PVC	1m	PMSH-M8A-03P-MM-SR7C01-00AH	PMSH-M8A-04P-MM-SR7C01-00AH	PMSH-M8B-05P-MM-SR7C01-00AH	PMSH-M8A-06P-MM-SR7C01-00AH	PMSH-M8A-08P-MM-SR7C01-00AH
	3m	PMSH-M8A-03P-MM-SR7C03-00AH	PMSH-M8A-04P-MM-SR7C03-00AH	PMSH-M8B-05P-MM-SR7C03-00AH	PMSH-M8A-06P-MM-SR7C03-00AH	PMSH-M8A-08P-MM-SR7C03-00AH
	5m	PMSH-M8A-03P-MM-SR7C05-00AH	PMSH-M8A-04P-MM-SR7C05-00AH	PMSH-M8B-05P-MM-SR7C05-00AH	PMSH-M8A-06P-MM-SR7C05-00AH	PMSH-M8A-08P-MM-SR7C05-00AH
	Customized	.....	.....	.....	.....	.....
PUR	1m	PMSH-M8A-03P-MM-SR7D01-00AH	PMSH-M8A-04P-MM-SR7D01-00AH	PMSH-M8B-05P-MM-SR7D01-00AH	PMSH-M8A-06P-MM-SR7D01-00AH	PMSH-M8A-08P-MM-SR7D01-00AH
	3m	PMSH-M8A-03P-MM-SR7D03-00AH	PMSH-M8A-04P-MM-SR7D03-00AH	PMSH-M8B-05P-MM-SR7D03-00AH	PMSH-M8A-06P-MM-SR7D03-00AH	PMSH-M8A-08P-MM-SR7D03-00AH
	5m	PMSH-M8A-03P-MM-SR7D05-00AH	PMSH-M8A-04P-MM-SR7D05-00AH	PMSH-M8B-04P-MM-SR7D05-00AH	PMSH-M8A-06P-MM-SR7D05-00AH	PMSH-M8A-08P-MM-SR7D05-00AH
	Customized	.....	.....	.....	.....	.....

M8 x 1 Female Overmolded with Cable plug, Single end, shielded, Straight .

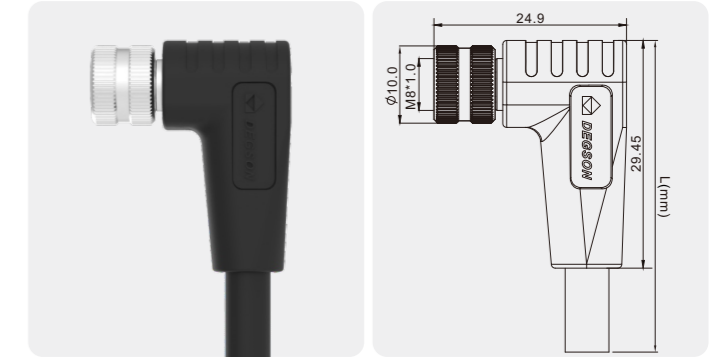


Technical Data

Standard	IEC 61076	Contact carriers material	PA
Series	M8, Female, Straight	Contact material	Copper Alloy, Gold-plated
Number of Pins	03,04,05,06,08 Pin	Metal of nut	Copper Alloy with Nickel Plated
Rated Current	3A max.	Seal	Silicone
Rated voltage	60V max.	Cable jacket material	PUR / PVC
Insulation resistance	≥100MΩ	Shielding	Shielded
Contact resistance	≤5mΩ	Mechanical life	> 100 mating cycles
Ambient temperature	- 25 ~ + 80°C	—	—
IP Class	IP67	—	—

Number of Pins		03 Pin	04 Pin	05 Pin	06 Pin	08 Pin
Coding	Coded	A-Coded	A-Coded	B-Coded	A-Coded	A-Coded
	Front View					
Rated current	A.	3A	3A	3A	1.5A	1.5A
Rated voltage	V.	60V	60V	30V	30V	30V
Wire/Cable	Wire gauge	24AWG	24AWG	24AWG	26AWG	26AWG
	Cross section	0.25mm <sup>2</sup>	0.25mm <sup>2</sup>	0.25mm <sup>2</sup>	0.14mm <sup>2</sup>	0.14mm <sup>2</sup>
	Wiring list	1.BN 3.BU 4.BK	1.BN 2.WH 3.BU 4.BK	1.BN 2.WH 3.BU 4.BK 5.GY	1.BN 2.WH 3.BU 4.BK 5.GY 6.PK	1.WH 2.BN 3.GN 4.YE 5.GY 6.PK 7.BU 8.RD
Description		Order NO .	Order NO .	Order NO .	Order NO .	Order NO .
PVC	1m	PMSH-M8A-03P-FF-SL7C01-00AH	PMSH-M8A-04P-FF-SL7C01-00AH	PMSH-M8B-05P-FF-SL7C01-00AH	PMSH-M8A-06P-FF-SL7C01-00AH	PMSH-M8A-08P-FF-SL7C01-00AH
	3m	PMSH-M8A-03P-FF-SL7C03-00AH	PMSH-M8A-04P-FF-SL7C03-00AH	PMSH-M8B-05P-FF-SL7C03-00AH	PMSH-M8A-06P-FF-SL7C03-00AH	PMSH-M8A-08P-FF-SL7C03-00AH
	5m	PMSH-M8A-03P-FF-SL7C05-00AH	PMSH-M8A-04P-FF-SL7C05-00AH	PMSH-M8B-05P-FF-SL7C05-00AH	PMSH-M8A-06P-FF-SL7C05-00AH	PMSH-M8A-08P-FF-SL7C05-00AH
	定制化 Customized	.....	.....	.....	.....	.....
	PUR	1m	PMSH-M8A-03P-FF-SL7D01-00AH	PMSH-M8A-04P-FF-SL7D01-00AH	PMSH-M8B-05P-FF-SL7D01-00AH	PMSH-M8A-06P-FF-SL7D01-00AH
3m		PMSH-M8A-03P-FF-SL7D03-00AH	PMSH-M8A-04P-FF-SL7D03-00AH	PMSH-M8B-05P-FF-SL7D03-00AH	PMSH-M8A-06P-FF-SL7D03-00AH	PMSH-M8A-08P-FF-SL7D03-00AH
5m		PMSH-M8A-03P-FF-SL7D05-00AH	PMSH-M8A-04P-FF-SL7D05-00AH	PMSH-M8B-04P-FF-SL7D05-00AH	PMSH-M8A-06P-FF-SL7D05-00AH	PMSH-M8A-08P-FF-SL7D05-00AH
定制化 Customized		.....	.....	.....	.....	.....

M8 x 1 Female Overmolded with Cable plug, Single end, Shielded, Angled.



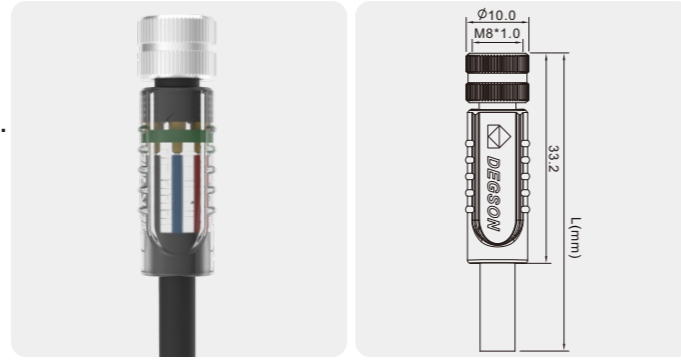
Technical Data

Standard	IEC 61076	Contact carriers material	PA
Series	M8, Female, Angled	Contact material	Copper Alloy, Gold-plated
Number of Pins	03,04,05,06,08 Pin	Metal of nut	Copper Alloy with Nickel Plated
Rated Current	3A max.	Seal	Silicone
Rated voltage	60V max.	Cable jacket material	PUR / PVC
Insulation resistance	≥100MΩ	Shielding	Shielded
Contact resistance	≤5mΩ	Mechanical life	> 100 mating cycles
Ambient temperature	- 25 ~ + 80°C	—	—
IP Class	IP67	—	—

Number of Pins		03 Pin	04 Pin	05 Pin	06 Pin	08 Pin
Coding	Coded	A-Coded	A-Coded	B-Coded	A-Coded	A-Coded
	Front View					
Rated current	A.	3A	3A	3A	1.5A	1.5A
Rated voltage	V.	60V	60V	30V	30V	30V
Wire/Cable	Wire gauge	24AWG	24AWG	24AWG	26AWG	26AWG
	Cross section	0.25mm <sup>2</sup>	0.25mm <sup>2</sup>	0.25mm <sup>2</sup>	0.14mm <sup>2</sup>	0.14mm <sup>2</sup>
	Wiring list	1.BN 3.BU 4.BK	1.BN 2.WH 3.BU 4.BK	1.BN 2.WH 3.BU 4.BK 5.GY	1.BN 2.WH 3.BU 4.BK 5.GY 6.PK	1.WH 2.BN 3.GN 4.YE 5.GY 6.PK 7.BU 8.RD
Description		Order NO .	Order NO .	Order NO .	Order NO .	Order NO .
PVC	1m	PMSH-M8A-03P-FF-SR7C01-00AH	PMSH-M8A-04P-FF-SR7C01-00AH	PMSH-M8B-05P-FF-SR7C01-00AH	PMSH-M8A-06P-FF-SR7C01-00AH	PMSH-M8A-08P-FF-SR7C01-00AH
	3m	PMSH-M8A-03P-FF-SR7C03-00AH	PMSH-M8A-04P-FF-SR7C03-00AH	PMSH-M8B-05P-FF-SR7C03-00AH	PMSH-M8A-06P-FF-SR7C03-00AH	PMSH-M8A-08P-FF-SR7C03-00AH
	5m	PMSH-M8A-03P-FF-SR7C05-00AH	PMSH-M8A-04P-FF-SR7C05-00AH	PMSH-M8B-05P-FF-SR7C05-00AH	PMSH-M8A-06P-FF-SR7C05-00AH	PMSH-M8A-08P-FF-SR7C05-00AH
	定制化 Customized	.....	.....	.....	.....	.....
	PUR	1m	PMSH-M8A-03P-FF-SR7D01-00AH	PMSH-M8A-04P-FF-SR7D01-00AH	PMSH-M8B-05P-FF-SR7D01-00AH	PMSH-M8A-06P-FF-SR7D01-00AH
3m		PMSH-M8A-03P-FF-SR7D03-00AH	PMSH-M8A-04P-FF-SR7D03-00AH	PMSH-M8B-05P-FF-SR7D03-00AH	PMSH-M8A-06P-FF-SR7D03-00AH	PMSH-M8A-08P-FF-SR7D03-00AH
5m		PMSH-M8A-03P-FF-SR7D05-00AH	PMSH-M8A-04P-FF-SR7D05-00AH	PMSH-M8B-04P-FF-SR7D05-00AH	PMSH-M8A-06P-FF-SR7D05-00AH	PMSH-M8A-08P-FF-SR7D05-00AH
定制化 Customized		.....	.....	.....	.....	.....



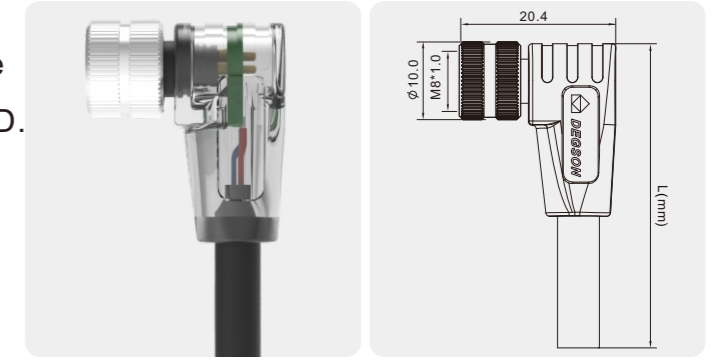
M8 x 1 Female Overmolded with Cable plug, Single end, Unshielded, Straight, LED .


**Technical Data**

Standard	IEC 61076	Contact carriers material	PU
Series	M8, Female, Straight	Contact material	Copper Alloy, Gold-plated
Number of Pins	03,04 Pin	Metal of nut	Copper Alloy with Nickel Plated
Rated Current	3A max.	Seal	Silicone
Rated voltage	60V max.	Cable jacket material	PUR / PVC
Insulation resistance	≥100MΩ	Shielding	Unshielded
Contact resistance	≤5mΩ	Mechanical life	> 100 mating cycles
Ambient temperature	- 25 ~ + 80°C	—	—
IP Class	IP67	—	—

Number of Pins		03 Pin	04 Pin
Coding	Coded	A-Coded	A-Coded
	Front View		
Rated current	A.	3A	3A
Rated voltage	V.	60V	60V
Wire/Cable	Wire gauge	24AWG	24AWG
	Cross section	0.25mm <sup>2</sup>	0.25mm <sup>2</sup>
	Wiring list	1.BN 3.BU 4.BK	1.BN 2.WH 3.BU 4.BK
Description		Order NO .	Order NO .
PVC	1m	PL-M8A-03P-FF-SL7A01-00AH	PL-M8A-04P-FF-SL7A01-00AH
	3m	PL-M8A-03P-FF-SL7A03-00AH	PL-M8A-04P-FF-SL7A03-00AH
	5m	PL-M8A-03P-FF-SL7A05-00AH	PL-M8A-04P-FF-SL7A05-00AH
	Customized	.....	.....
PUR	1m	PL-M8A-03P-FF-SL7B01-00AH	PL-M8A-04P-FF-SL7B01-00AH
	3m	PL-M8A-03P-FF-SL7B03-00AH	PL-M8A-04P-FF-SL7B03-00AH
	5m	PL-M8A-03P-FF-SL7B05-00AH	PL-M8A-04P-FF-SL7B05-00AH
	Customized	.....	.....

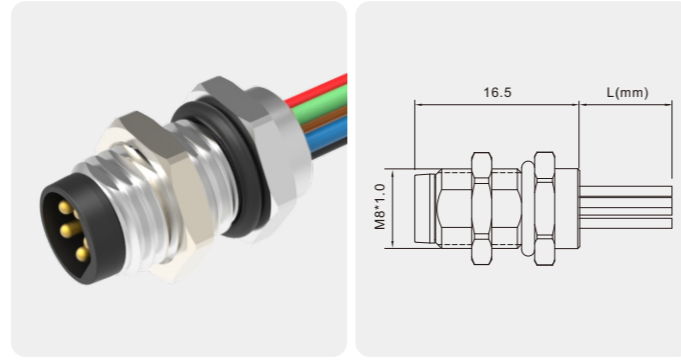
M8 x 1 Female Overmolded with Cable plug, Single end, Unshielded, Angled, LED.


**Technical Data**

Standard	IEC 61076	Contact carriers material	PU
Series	M8, Female, Angled	Contact material	Copper Alloy, Gold-plated
Number of Pins	03,04 Pin	Metal of nut	Copper Alloy with Nickel Plated
Rated Current	3A max.	Seal	Silicone
Rated voltage	60V max.	Cable jacket material	PUR / PVC
Insulation resistance	≥100MΩ	Shielding	Unshielded
Contact resistance	≤5mΩ	Mechanical life	> 100 mating cycles
Ambient temperature	- 25 ~ + 80°C	—	—
IP Class	IP67	—	—

Number of Pins		03 Pin	04 Pin
Coding	Coded	A-Coded	A-Coded
	Front View		
Rated current	A.	3A	3A
Rated voltage	V.	60V	60V
Wire/Cable	Wire gauge	24AWG	24AWG
	Cross section	0.25mm <sup>2</sup>	0.25mm <sup>2</sup>
	Wiring list	1.BN 3.BU 4.BK	1.BN 2.WH 3.BU 4.BK
Description		Order NO .	Order NO .
PVC	1m	PL-M8A-03P-FF-SR7A01-00AH	PL-M8A-04P-FF-SR7A01-00AH
	3m	PL-M8A-03P-FF-SR7A03-00AH	PL-M8A-04P-FF-SR7A03-00AH
	5m	PL-M8A-03P-FF-SR7A05-00AH	PL-M8A-04P-FF-SR7A05-00AH
	Customized	.....	.....
PUR	1m	PL-M8A-03P-FF-SR7B01-00AH	PL-M8A-04P-FF-SR7B01-00AH
	3m	PL-M8A-03P-FF-SR7B03-00AH	PL-M8A-04P-FF-SR7B03-00AH
	5m	PL-M8A-03P-FF-SR7B05-00AH	PL-M8A-04P-FF-SR7B05-00AH
	Customized	.....	.....

M8 x 1 Male Panel Mount Receptacle,  
Rear Mounting, with 0.5m wires.

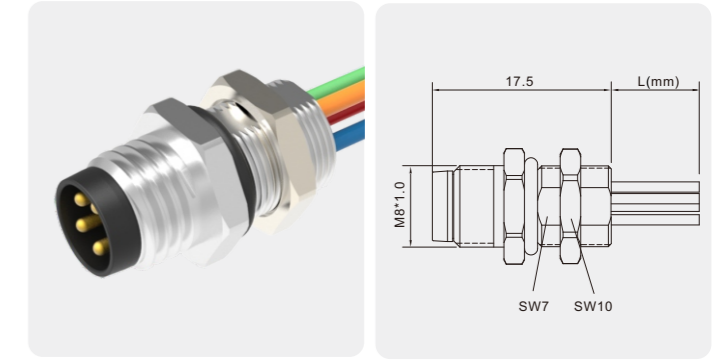


Technical Data

Standard	IEC 61076	Contact carriers material	PA
Series	M8, Male	Contact material	Copper Alloy, Gold-plated
Number of Pins	03,04,05,06,08 Pin	Metal of nut	Copper Alloy with Nickel Plated
Rated Current	3A max.	Seal	Silicone
Rated voltage	60V max.	Shielding	Unshielded
Insulation resistance	≥100MΩ	Mechanical life	> 100 mating cycles
Contact resistance	≤5mΩ	—	—
Ambient temperature	- 25 ~ + 80°C	—	—
IP Class	IP67	—	—

Number of Pins		03 Pin	04 Pin	05 Pin	06 Pin	08 Pin
Coding	Coded	A-Coded	A-Coded	B-Coded	A-Coded	A-Coded
	Front View					
Rated current	A.	3A	3A	3A	1.5A	1.5A
Rated voltage	V.	60V	60V	30V	30V	30V
Wire/Cable	Wire gauge	24AWG	24AWG	24AWG	26AWG	26AWG
	Cross section	0.25mm <sup>2</sup>	0.25mm <sup>2</sup>	0.25mm <sup>2</sup>	0.14mm <sup>2</sup>	0.14mm <sup>2</sup>
	Wiring list	1.BN 3.BU 4.BK	1.BN 2.WH 3.BU 4.BK	1.BN 2.WH 3.BU 4.BK 5.GY	1.BN 2.WH 3.BU 4.BK 5.GY 6.PK	1.WH 2.BN 3.GN 4.YE 5.GY 6.PK 7.BU 8.RD
Description	Order NO .	Order NO .	Order NO .	Order NO .	Order NO .	
0.5m	SD-M8A-03P-MM-SF7C50-00AH	SD-M8A-04P-MM-SF7C50-00AH	SD-M8B-05P-MM-SF7C50-00AH	SD-M8A-06P-MM-SF7C50-00AH	SD-M8A-08P-MM-SF7C50-00AH	
Customized	.....	.....	.....	.....	.....	

M8 x 1 Male Panel Mount Receptacle,  
Front Mounting, with 0.5m wires.

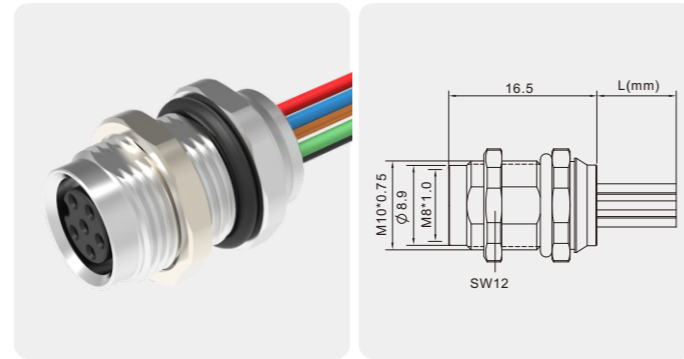


Technical Data

Standard	IEC 61076	Contact carriers material	PA
Series	M8, Male	Contact material	Copper Alloy, Gold-plated
Number of Pins	03,04,05,06,08 Pin	Metal of nut	Copper Alloy with Nickel Plated
Rated Current	3A max.	Seal	Silicone
Rated voltage	60V max.	Shielding	Unshielded
Insulation resistance	≥100MΩ	Mechanical life	> 100 mating cycles
Contact resistance	≤5mΩ	—	—
Ambient temperature	- 25 ~ + 80°C	—	—
IP Class	IP67	—	—

Number of Pins		03 Pin	04 Pin	05 Pin	06 Pin	08 Pin
Coding	Coded	A-Coded	A-Coded	B-Coded	A-Coded	A-Coded
	Front View					
Rated current	A.	3A	3A	3A	1.5A	1.5A
Rated voltage	V.	60V	60V	30V	30V	30V
Wire/Cable	Wire gauge	24AWG	24AWG	24AWG	26AWG	26AWG
	Cross section	0.25mm <sup>2</sup>	0.25mm <sup>2</sup>	0.25mm <sup>2</sup>	0.14mm <sup>2</sup>	0.14mm <sup>2</sup>
	Wiring list	1.BN 3.BU 4.BK	1.BN 2.WH 3.BU 4.BK	1.BN 2.WH 3.BU 4.BK 5.GY	1.BN 2.WH 3.BU 4.BK 5.GY 6.PK	1.WH 2.BN 3.GN 4.YE 5.GY 6.PK 7.BU 8.RD
Description	Order NO .	Order NO .	Order NO .	Order NO .	Order NO .	
0.5m	SD-M8A-03P-MM-SH7B50-00AH	SD-M8A-04P-MM-SH7B50-00AH	SD-M8B-05P-MM-SH7B50-00AH	SD-M8A-06P-MM-SH7B50-00AH	SD-M8A-08P-MM-SH7B50-00AH	
Customized	.....	.....	.....	.....	.....	

M8 x 1 Female Panel Mount Receptacle ,Rear Mounting,with 0.5m wires.

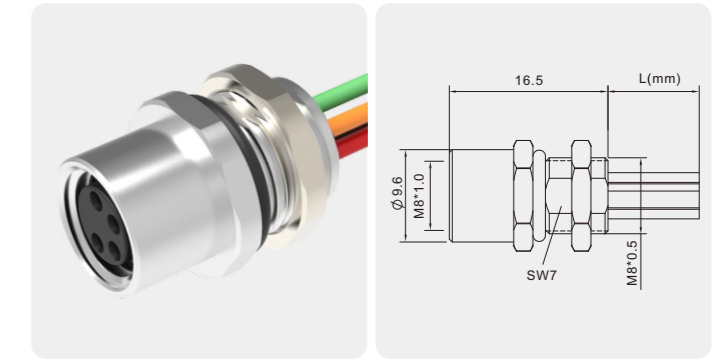


Technical Data

Standard	IEC 61076	Contact carriers material	PA
Series	M8, Female	Contact material	Copper Alloy, Gold-plated
Number of Pins	03,04,05,06,08 Pin	Metal of nut	Copper Alloy with Nickel Plated
Rated Current	3A max.	Seal	Silicone
Rated voltage	60V max.	Shielding	Unshielded
Insulation resistance	≥100MΩ	Mechanical life	> 100 mating cycles
Contact resistance	≤5mΩ	—	—
Ambient temperature	- 25 ~ + 80°C	—	—
IP Class	IP67	—	—

Number of Pins		03 Pin	04 Pin	05 Pin	06 Pin	08 Pin
Coding	Coded	A-Coded	A-Coded	B-Coded	A-Coded	A-Coded
	Front View					
Rated current	A.	3A	3A	3A	1.5A	1.5A
Rated voltage	V.	60V	60V	30V	30V	30V
Wire/Cable	Wire gauge	24AWG	24AWG	24AWG	26AWG	26AWG
	Cross section	0.25mm <sup>2</sup>	0.25mm <sup>2</sup>	0.25mm <sup>2</sup>	0.14mm <sup>2</sup>	0.14mm <sup>2</sup>
	Wiring list	1.BN 3.BU 4.BK	1.BN 2.WH 3.BU 4.BK	1.BN 2.WH 3.BU 4.BK 5.GY	1.BN 2.WH 3.BU 4.BK 5.GY 6.PK	1.WH 2.BN 3.GN 4.YE 5.GY 6.PK 7.BU 8.RD
Description	Order NO .	Order NO .	Order NO .	Order NO .	Order NO .	
0.5m	SD-M8A-03P-FF-SF7A50-00AH	SD-M8A-04P-FF-SF7A50-00AH	SD-M8B-05P-FF-SF7A50-00AH	SD-M8A-06P-FF-SF7A50-00AH	SD-M8A-08P-FF-SF7A50-00AH	
Customized	.....	.....	.....	.....	.....	

M8 x 1 Female Panel Mount Receptacle,Front Mounting,with 0.5m wires.

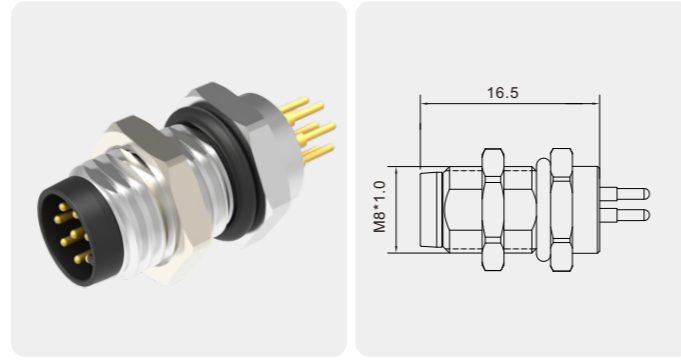


Technical Data

Standard	IEC 61076	Contact carriers material	PA
Series	M8, Female	Contact material	Copper Alloy, Gold-plated
Number of Pins	03,04,05,06,08 Pin	Metal of nut	Copper Alloy with Nickel Plated
Rated Current	3A max.	Seal	Silicone
Rated voltage	60V max.	Shielding	Unshielded
Insulation resistance	≥100MΩ	Mechanical life	> 100 mating cycles
Contact resistance	≤5mΩ	—	—
Ambient temperature	- 25 ~ + 80°C	—	—
IP Class	IP67	—	—

Number of Pins		03 Pin	04 Pin	05 Pin	06 Pin	08 Pin
Coding	Coded	A-Coded	A-Coded	B-Coded	A-Coded	A-Coded
	Front View					
Rated current	A.	3A	3A	3A	1.5A	1.5A
Rated voltage	V.	60V	60V	30V	30V	30V
Wire/Cable	Wire gauge	24AWG	24AWG	24AWG	26AWG	26AWG
	Cross section	0.25mm <sup>2</sup>	0.25mm <sup>2</sup>	0.25mm <sup>2</sup>	0.14mm <sup>2</sup>	0.14mm <sup>2</sup>
	Wiring list	1.BN 3.BU 4.BK	1.BN 2.WH 3.BU 4.BK	1.BN 2.WH 3.BU 4.BK 5.GY	1.BN 2.WH 3.BU 4.BK 5.GY 6.PK	1.WH 2.BN 3.GN 4.YE 5.GY 6.PK 7.BU 8.RD
Description	Order NO .	Order NO .	Order NO .	Order NO .	Order NO .	
0.5m	SD-M8A-03P-FF-SH7B50-00AH	SD-M8A-04P-FF-SH7B50-00AH	SD-M8B-05P-FF-SH7B50-00AH	SD-M8A-06P-FF-SH7B50-00AH	SD-M8A-08P-FF-SH7B50-00AH	
Customized	.....	.....	.....	.....	.....	

M8 x 1 Male Panel Mount Receptacle,  
Rear Mounting, Unshielded, PCB Soldering.

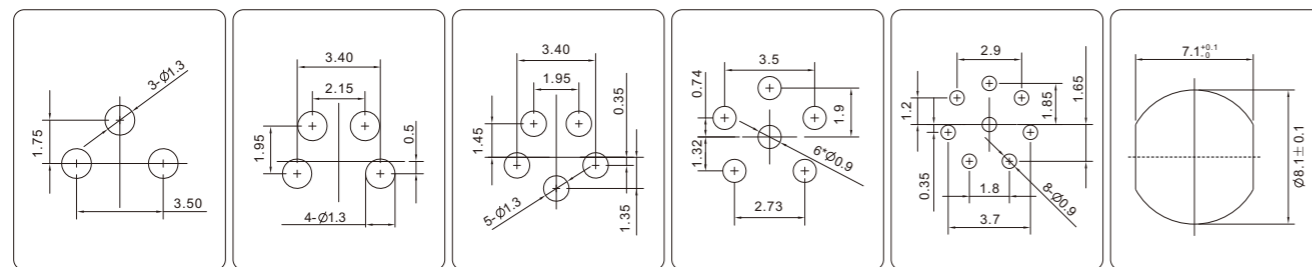


Technical Data

Standard	IEC 61076	Contact carriers material	PA
Series	M8, Male	Contact material	Copper Alloy, Gold-plated
Number of Pins	03,04,05,06,08 Pin	Metal of nut	Copper Alloy with Nickel Plated
Rated Current	3A max.	Seal	Silicone
Rated voltage	60V max.	Shielding	Unshielded
Insulation resistance	≥100MΩ	Mechanical life	> 100 mating cycles
Contact resistance	≤5mΩ	—	—
Ambient temperature	- 40 ~ +105°C	—	—
IP Class	IP67	—	—

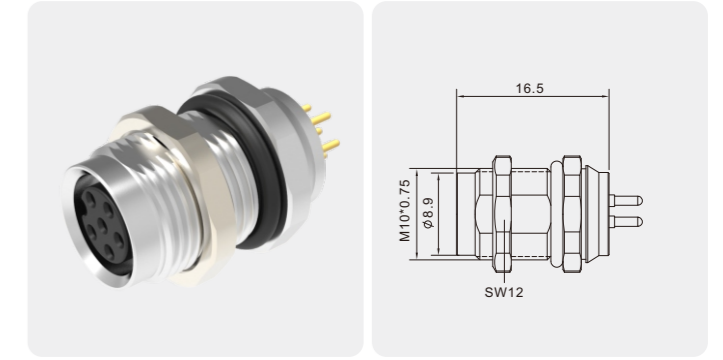
Number of Pins		03 Pin	04 Pin	05 Pin	06 Pin	08 Pin
Coding	Coded	A-Coded	A-Coded	B-Coded	A-Coded	A-Coded
	Front View					
Rated current	A.	3A	3A	3A	1.5A	1.5A
Rated voltage	V.	60V	60V	30V	30V	30V
Description	Order NO .	Order NO .	Order NO .	Order NO .	Order NO .	Order NO .
—	SP-M8A-03P-MM-SF7003-00AH	SP-M8A-04P-MM-SF7003-00AH	SP-M8B-05P-MM-SF7003-00AH	SP-M8A-06P-MM-SF7003-00AH	SP-M8A-08P-MM-SF7003-00AH	SP-M8A-08P-MM-SF7003-00AH
Customized	.....	.....	.....	.....	.....	.....

Dimension Figure



PCB Layout PCB Layout PCB Layout PCB Layout PCB Layout Panel Cut-Out

M8 x 1 Female Panel Mount Receptacle,  
Rear Mounting, Unshielded, PCB Soldering.

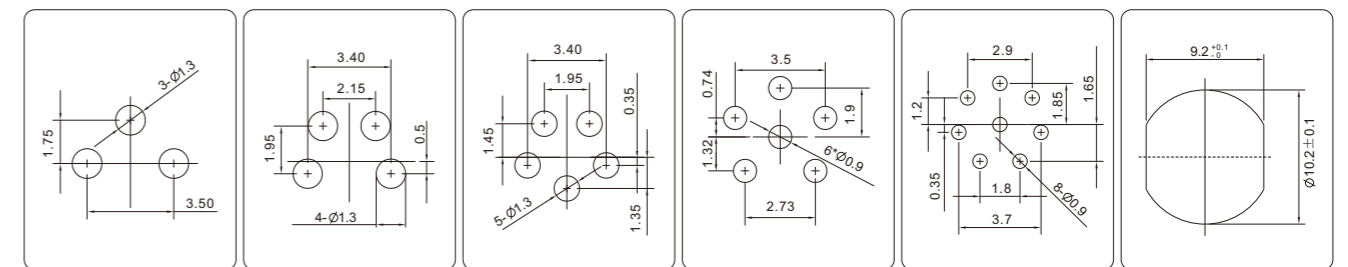


Technical Data

Standard	IEC 61076	Contact carriers material	PA
Series	M8, Female	Contact material	Copper Alloy, Gold-plated
Number of Pins	03,04,05,06,08 Pin	Metal of nut	Copper Alloy with Nickel Plated
Rated Current	3A max.	Seal	Silicone
Rated voltage	60V max.	Shielding	Unshielded
Insulation resistance	≥100MΩ	Mechanical life	> 100 mating cycles
Contact resistance	≤5mΩ	—	—
Ambient temperature	- 40 ~ +105°C	—	—
IP Class	IP67	—	—

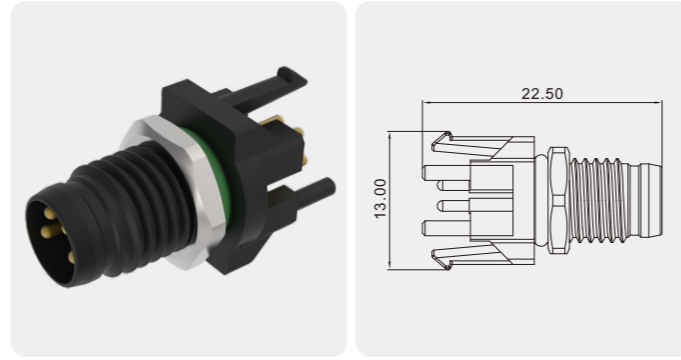
Number of Pins		03 Pin	04 Pin	05 Pin	06 Pin	08 Pin
Coding	Coded	A-Coded	A-Coded	B-Coded	A-Coded	A-Coded
	Front View					
Rated current	A.	3A	3A	3A	1.5A	1.5A
Rated voltage	V.	60V	60V	30V	30V	30V
Description	Order NO .	Order NO .	Order NO .	Order NO .	Order NO .	Order NO .
—	SP-M8A-03P-FF-SF7001-00AH	SP-M8A-04P-FF-SF7001-00AH	SP-M8B-05P-FF-SF7001-00AH	SP-M8A-06P-FF-SF7001-00AH	SP-M8A-08P-FF-SF7001-00AH	SP-M8A-08P-FF-SF7001-00AH
Customized	.....	.....	.....	.....	.....	.....

Dimension Figure



PCB Layout PCB Layout PCB Layout PCB Layout PCB Layout Panel Cut-Out

M8 x 1 Male Panel Mount Receptacle,  
Rear Mounting, Unshielded, PCB Soldering.

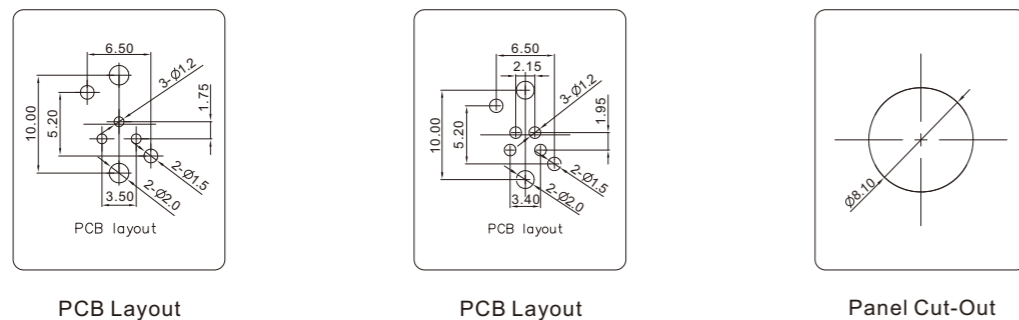


Technical Data

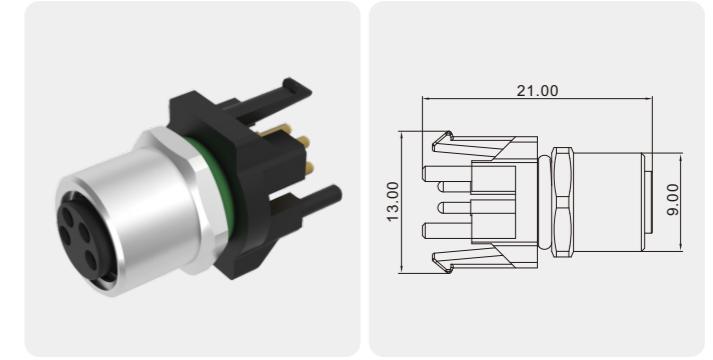
Standard	IEC 61076	Contact carriers material	PA
Series	M8, Male	Contact material	Copper Alloy, Gold-plated
Number of Pins	03,04,05,06,08 Pin	Metal of nut	Copper Alloy with Nickel Plated
Rated Current	3A max.	Seal	Silicone
Rated voltage	60V max.	Shielding	Unshielded
Insulation resistance	≥100MΩ	Mechanical life	> 100 mating cycles
Contact resistance	≤5mΩ	—	—
Ambient temperature	- 40 ~ +105°C	—	—
IP Class	IP67	—	—

Number of Pins		03 Pin	04 Pin
Coding	Coded	A-Coded	A-Coded
	Front View		
Rated current	A.	3A	3A
Rated voltage	V.	60V	60V
Description		Order NO .	Order NO .
—		SP-M8A-03P-MM-SF7005-00AH	SP-M8A-04P-MM-SF7005-00AH
Customized		.....	.....

Dimension Figure



M8 x 1 Female Panel Mount Receptacle,  
Rear Mounting, Unshielded, PCB Soldering.

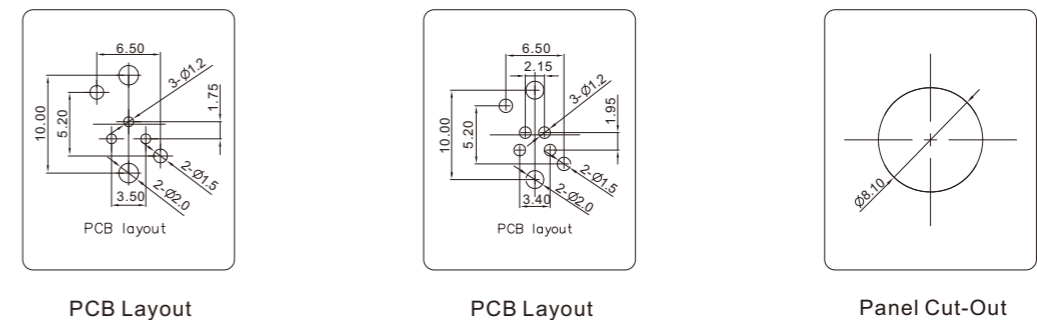


Technical Data

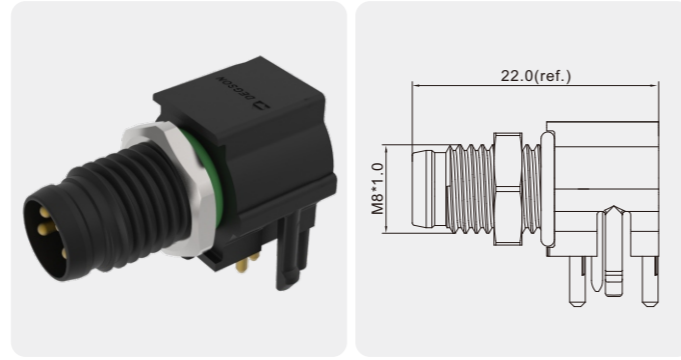
Standard	IEC 61076	Contact carriers material	PA
Series	M8, Female	Contact material	Copper Alloy, Gold-plated
Number of Pins	03,04,05,06,08 Pin	Metal of nut	Copper Alloy with Nickel Plated
Rated Current	3A max.	Seal	Silicone
Rated voltage	60V max.	Shielding	Unshielded
Insulation resistance	≥100MΩ	Mechanical life	> 100 mating cycles
Contact resistance	≤5mΩ	—	—
Ambient temperature	- 40 ~ +105°C	—	—
IP Class	IP67	—	—

Number of Pins		03 Pin	04 Pin
Coding	Coded	A-Coded	A-Coded
	Front View		
Rated current	A.	3A	3A
Rated voltage	V.	60V	60V
Description		Order NO .	Order NO .
—		SP-M8A-03P-MM-SF7005-00AH	SP-M8A-04P-MM-SF7005-00AH
Customized		.....	.....

Dimension Figure

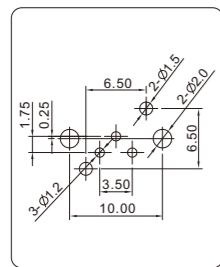


M8 x 1 Male Panel Mount Receptacle,  
Rear Mounting, Unshielded, PCB Soldering.

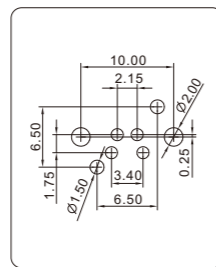

**Technical Data**

Standard	IEC 61076	Contact carriers material	PA
Series	M8, Male	Contact material	Copper Alloy, Gold-plated
Number of Pins	03,04,05,06,08 Pin	Metal of nut	Copper Alloy with Nickel Plated
Rated Current	3A max.	Seal	Silicone
Rated voltage	60V max.	Shielding	Unshielded
Insulation resistance	≥100MΩ	Mechanical life	> 100 mating cycles
Contact resistance	≤5mΩ	—	—
Ambient temperature	- 40 ~ +105°C	—	—
IP Class	IP67	—	—

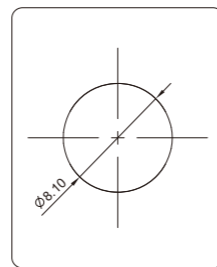
Number of Pins		03 Pin	04 Pin
Coding	Coded	A-Coded	A-Coded
	Front View		
Rated current	A.	3A	3A
Rated voltage	V.	60V	60V
Description		Order NO .	Order NO .
—		SR-M8A-03P-MM-SF7005-00AH	SR-M8A-04P-MM-SF7005-00AH
Customized		.....	.....

**Dimension Figure**


PCB Layout

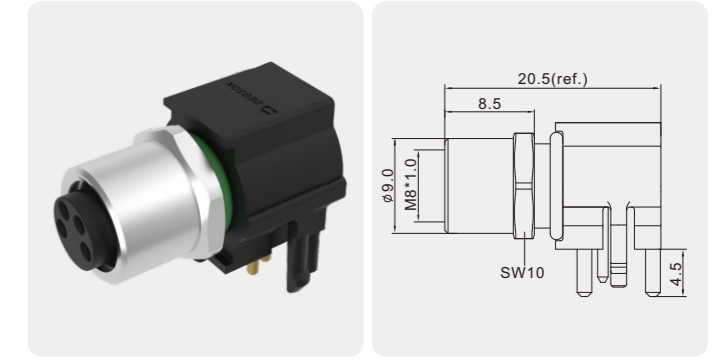


PCB Layout



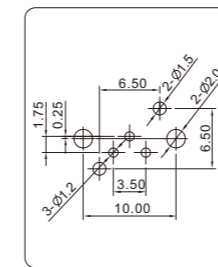
Panel Cut-Out

M8 x 1 Female Panel Mount Receptacle,  
Rear Mounting, Unshielded, PCB Soldering.

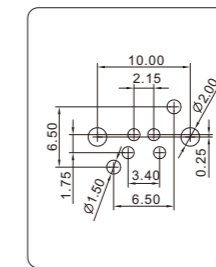

**Technical Data**

Standard	IEC 61076	Contact carriers material	PA
Series	M8, Female	Contact material	Copper Alloy, Gold-plated
Number of Pins	03,04,05,06,08 Pin	Metal of nut	Copper Alloy with Nickel Plated
Rated Current	3A max.	Seal	Silicone
Rated voltage	60V max.	Shielding	Unshielded
Insulation resistance	≥100MΩ	Mechanical life	> 100 mating cycles
Contact resistance	≤5mΩ	—	—
Ambient temperature	- 40 ~ +105°C	—	—
IP Class	IP67	—	—

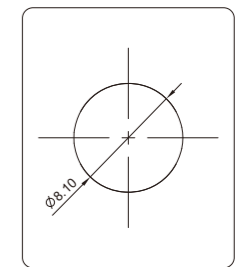
Number of Pins		03 Pin	04 Pin
Coding	Coded	A-Coded	A-Coded
	Front View		
Rated current	A.	3A	3A
Rated voltage	V.	60V	60V
Description		Order NO .	Order NO .
—		SR-M8A-03P-MM-SF7005-00AH	SR-M8A-04P-MM-SF7005-00AH
Customized		.....	.....

**Dimension Figure**


PCB Layout

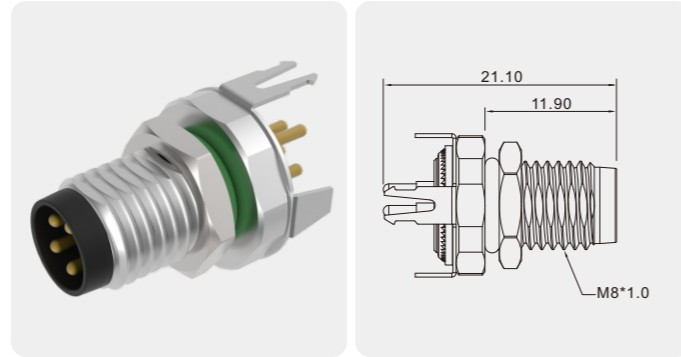


PCB Layout



Panel Cut-Out

M8 x 1 Male Panel Mount Receptacle,  
Rear Mounting,Shielded,PCB Soldering.

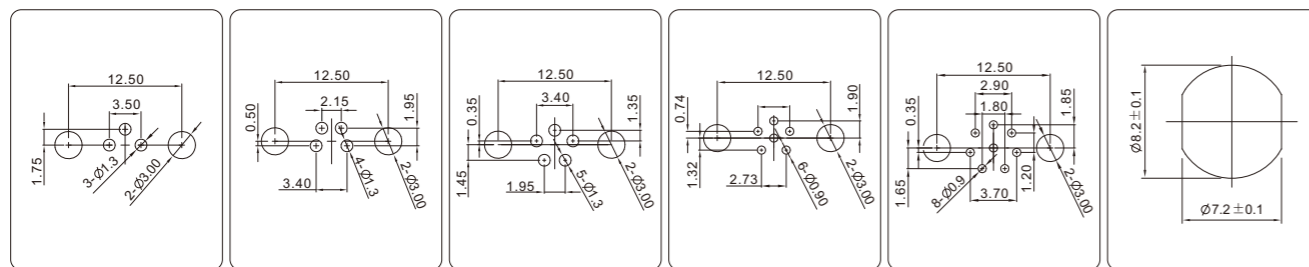


Technical Data

Standard	IEC 61076	Contact carriers material	PA
Series	M8, Male	Contact material	Copper Alloy, Gold-plated
Number of Pins	03,04,05,06,08 Pin	Metal of nut	Copper Alloy with Nickel Plated
Rated Current	3A max.	Seal	Silicone
Rated voltage	60V max.	Shielding	Unshielded
Insulation resistance	≥100MΩ	Mechanical life	> 100 mating cycles
Contact resistance	≤5mΩ	—	—
Ambient temperature	- 40 ~ +105°C	—	—
IP Class	IP67	—	—

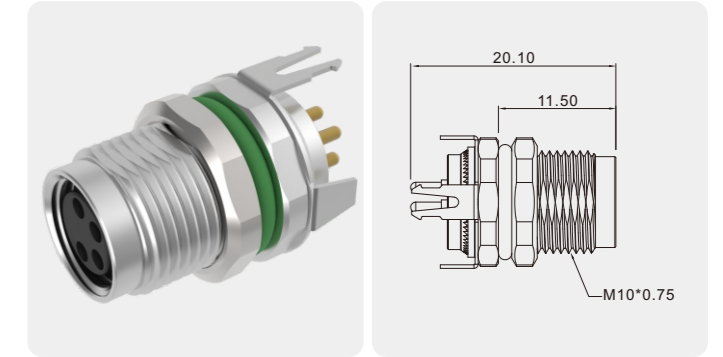
Number of Pins		03 Pin	04 Pin	05 Pin	06 Pin	08 Pin
Coding	Coded	A-Coded	A-Coded	B-Coded	A-Coded	A-Coded
	Front View					
Rated current	A.	3A	3A	3A	1.5A	1.5A
Rated voltage	V.	60V	60V	30V	30V	30V
Description	Order NO .	Order NO .	Order NO .	Order NO .	Order NO .	Order NO .
—	SPSH-M8A-03P-MM-SF7003-00AH	SPSH-M8A-04P-MM-SF7003-00AH	SPSH-M8B-05P-MM-SF7003-00AH	SPSH-M8A-06P-MM-SF7003-00AH	SPSH-M8A-08P-MM-SF7003-00AH	SPSH-M8A-08P-MM-SF7003-00AH
Customized	.....	.....	.....	.....	.....	.....

Dimension Figure



PCB Layout PCB Layout PCB Layout PCB Layout PCB Layout Panel Cut-Out

M8 x 1 Female Panel Mount Receptacle,  
Rear Mounting,Shielded,PCB Soldering.

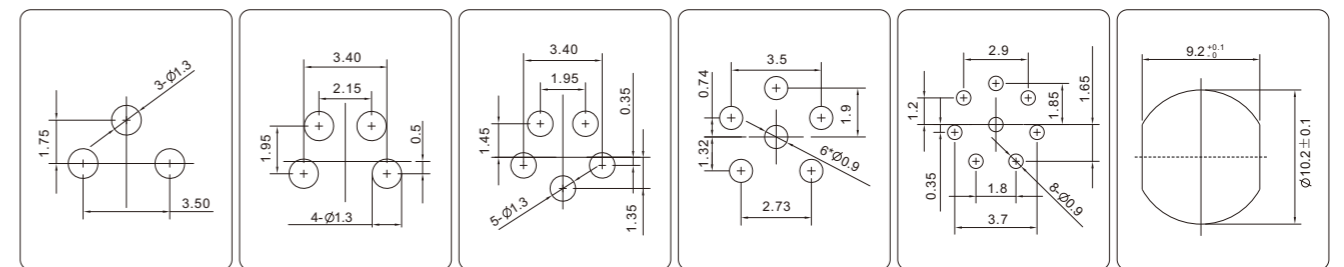


Technical Data

Standard	IEC 61076	Contact carriers material	PA
Series	M8, Female	Contact material	Copper Alloy, Gold-plated
Number of Pins	03,04,05,06,08 Pin	Metal of nut	Copper Alloy with Nickel Plated
Rated Current	3A max.	Seal	Silicone
Rated voltage	60V max.	Shielding	Unshielded
Insulation resistance	≥100MΩ	Mechanical life	> 100 mating cycles
Contact resistance	≤5mΩ	—	—
Ambient temperature	- 40 ~ +105°C	—	—
IP Class	IP67	—	—

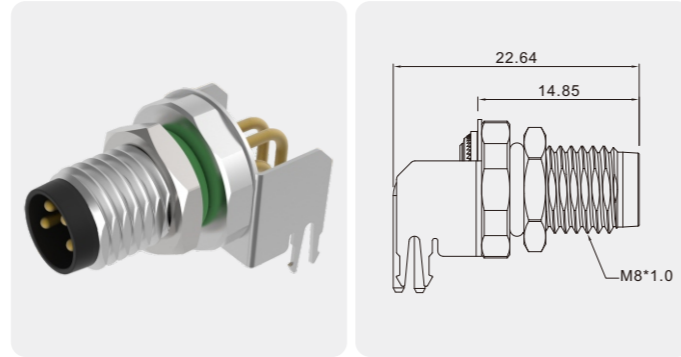
Number of Pins		03 Pin	04 Pin	05 Pin	06 Pin	08 Pin
Coding	Coded	A-Coded	A-Coded	B-Coded	A-Coded	A-Coded
	Front View					
Rated current	A.	3A	3A	3A	1.5A	1.5A
Rated voltage	V.	60V	60V	30V	30V	30V
Description	Order NO .	Order NO .	Order NO .	Order NO .	Order NO .	Order NO .
—	SPSH-M8A-03P-FF-SF7001-00AH	SPSH-M8A-04P-FF-SF7001-00AH	SPSH-M8B-05P-FF-SF7001-00AH	SPSH-M8A-06P-FF-SF7001-00AH	SPSH-M8A-06P-FF-SF7001-00AH	SPSH-M8A-08P-FF-SF7001-00AH
Customized	.....	.....	.....	.....	.....	.....

Dimension Figure



PCB Layout PCB Layout PCB Layout PCB Layout PCB Layout Panel Cut-Out

M8 x 1 Male Panel Mount Receptacle,  
Rear Mounting,Shielded,PCB Soldering.

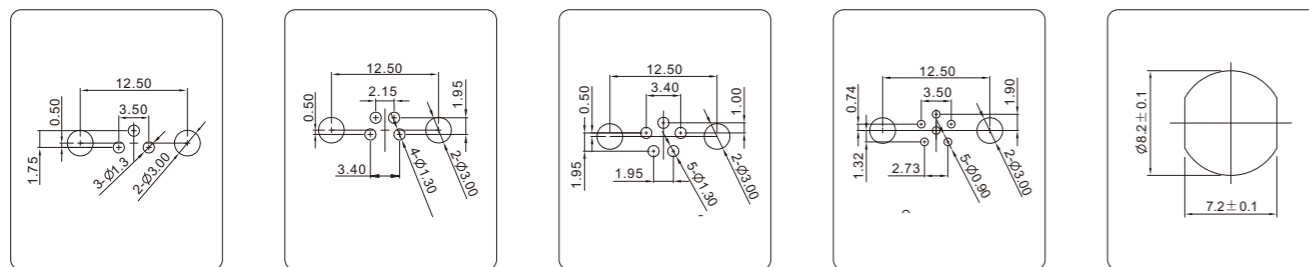


Technical Data

Standard	IEC 61076	Contact carriers material	PA
Series	M8, Male	Contact material	Copper Alloy, Gold-plated
Number of Pins	03,04,05,06,08 Pin	Metal of nut	Copper Alloy with Nickel Plated
Rated Current	3A max.	Seal	Silicone
Rated voltage	60V max.	Shielding	Unshielded
Insulation resistance	≥100MΩ	Mechanical life	> 100 mating cycles
Contact resistance	≤5mΩ	—	—
Ambient temperature	- 40 ~ +105°C	—	—
IP Class	IP67	—	—

Number of Pins		03 Pin	04 Pin	05 Pin	06 Pin
Coding	Coded	A-Coded	A-Coded	B-Coded	A-Coded
	Front View				
Rated current	A.	3A	3A	3A	1.5A
Rated voltage	V.	60V	60V	30V	30V
Description		Order NO .	Order NO .	Order NO .	Order NO .
—		SRSH-M8A-03P-MM-SF7003-00AH	SRSH-M8A-04P-MM-SF7003-00AH	SRSH-M8B-05P-MM-SF7003-00AH	SRSH-M8A-06P-MM-SF7003-00AH
Customized		.....	.....	.....	.....

Dimension Figure



PCB Layout

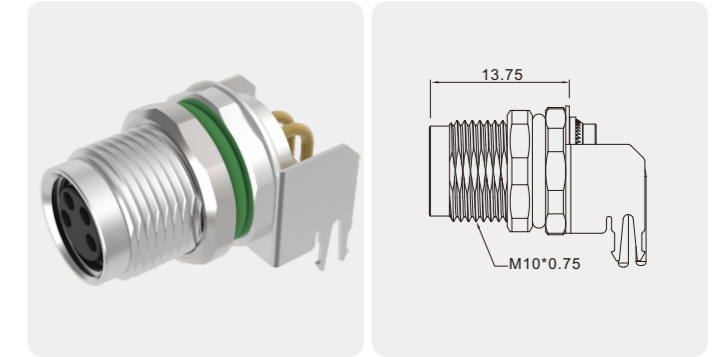
PCB Layout

PCB Layout

PCB Layout

Panel Cut-Out

M8 x 1 Female Panel Mount Receptacle,  
Rear Mounting,Shielded,PCB Soldering.

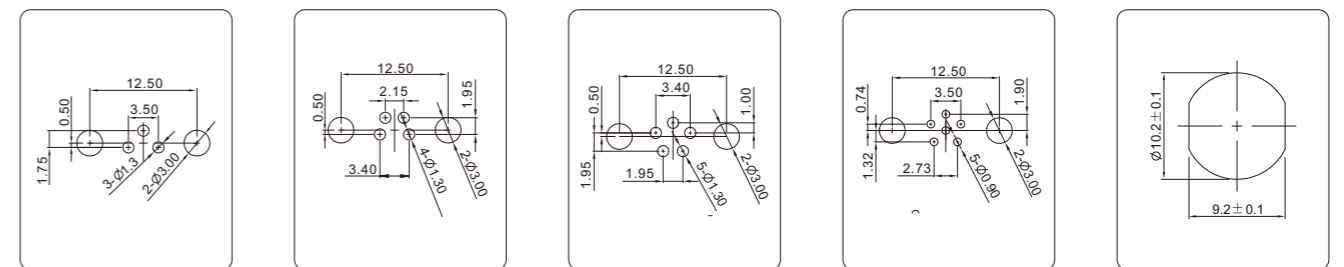


Technical Data

Standard	IEC 61076	Contact carriers material	PA
Series	M8, Female	Contact material	Copper Alloy, Gold-plated
Number of Pins	03,04,05,06,08 Pin	Metal of nut	Copper Alloy with Nickel Plated
Rated Current	3A max.	Seal	Silicone
Rated voltage	60V max.	Shielding	Unshielded
Insulation resistance	≥100MΩ	Mechanical life	> 100 mating cycles
Contact resistance	≤5mΩ	—	—
Ambient temperature	- 40 ~ +105°C	—	—
IP Class	IP67	—	—

Number of Pins		03 Pin	04 Pin	05 Pin	06 Pin
Coding	Coded	A-Coded	A-Coded	B-Coded	A-Coded
	Front View				
Rated current	A.	3A	3A	3A	1.5A
Rated voltage	V.	60V	60V	30V	30V
Description		Order NO .	Order NO .	Order NO .	Order NO .
—		SRSH-M8A-03P-FF-SF7001-00AH	SRSH-M8A-04P-FF-SF7001-00AH	SRSH-M8B-05P-FF-SF7001-00AH	SRSH-M8A-06P-FF-SF7001-00AH
Customized		.....	.....	.....	.....

Dimension Figure



PCB Layout

PCB Layout

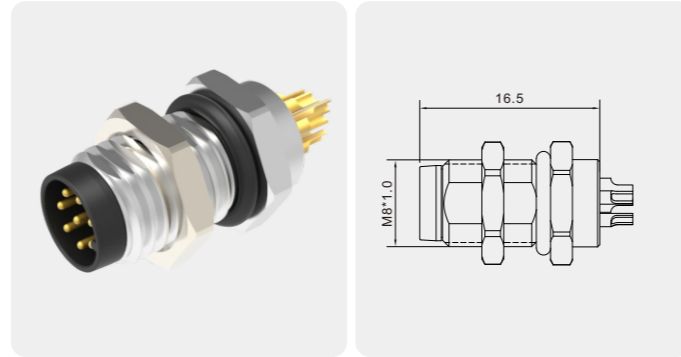
PCB Layout

PCB Layout

Panel Cut-Out



M8 x 1 Male Panel Mount Receptacle, Rear Mounting, Unshielded, Soldering without wire.

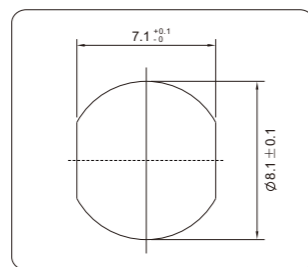


Technical Data

Standard	IEC 61076	Contact carriers material	PA
Series	M8, Male	Contact material	Copper Alloy, Gold-plated
Number of Pins	03,04,05,06,08 Pin	Metal of nut	Copper Alloy with Nickel Plated
Rated Current	3A max.	Seal	Silicone
Rated voltage	60V max.	Mechanical life	> 100 mating cycles
Insulation resistance	≥ 100MΩ	—	—
Contact resistance	≤ 5mΩ	—	—
Ambient temperature	- 40 ~ + 105°C	—	—
IP Class	IP67	—	—

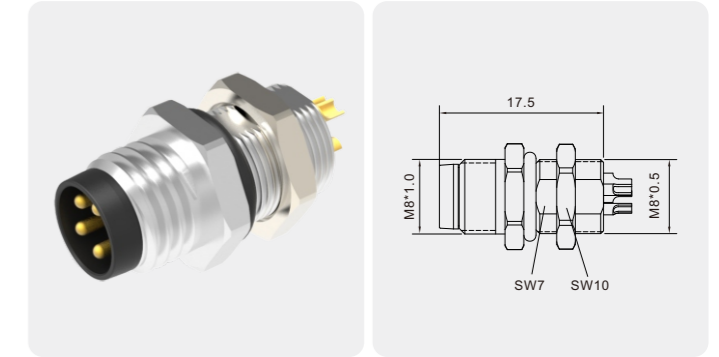
Number of Pins		03 Pin	04 Pin	05 Pin	06 Pin	08 Pin
Coding	Coded	A-Coded	A-Coded	B-Coded	A-Coded	A-Coded
	Front View					
Rated current	A.	3A	3A	3A	1.5A	1.5A
Rated voltage	V.	60V	60V	30V	30V	30V
Description	Order NO .	Order NO .	Order NO .	Order NO .	Order NO .	Order NO .
—	SD-M8A-03P-MM-SF7003-00AH	SD-M8A-04P-MM-SF7003-00AH	SD-M8B-05P-MM-SF7003-00AH	SD-M8A-06P-MM-SF7003-00AH	SD-M8A-08P-MM-SF7003-00AH	SD-M8A-08P-MM-SF7003-00AH
Customized	.....	.....	.....	.....	.....	.....

Dimension Figure



Panel Cut-Out

M8 x 1 Male Panel Mount Receptacle, Front Mounting, Unshielded, Soldering without wire.

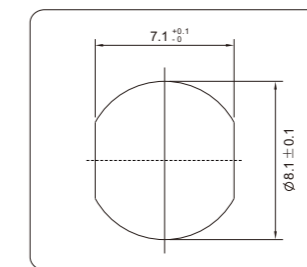


Technical Data

Standard	IEC 61076	Contact carriers material	PA
Series	M8, Male	Contact material	Copper Alloy, Gold-plated
Number of Pins	03,04,05,06,08 Pin	Metal of nut	Copper Alloy with Nickel Plated
Rated Current	3A max.	Seal	Silicone
Rated voltage	60V max.	Mechanical life	> 100 mating cycles
Insulation resistance	≥ 100MΩ	—	—
Contact resistance	≤ 5mΩ	—	—
Ambient temperature	- 40 ~ + 105°C	—	—
IP Class	IP67	—	—

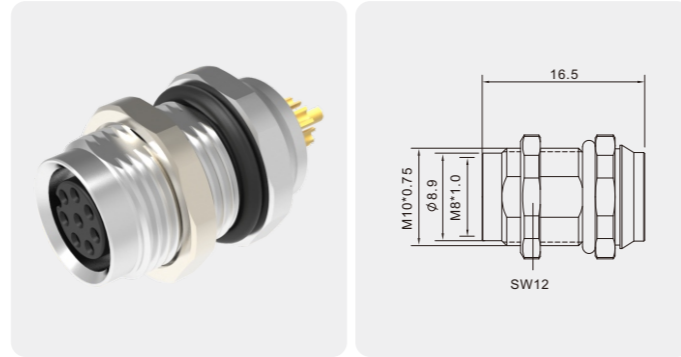
Number of Pins		03 Pin	04 Pin	05 Pin	06 Pin	08 Pin
Coding	Coded	A-Coded	A-Coded	B-Coded	A-Coded	A-Coded
	Front View					
Rated current	A.	3A	3A	3A	1.5A	1.5A
Rated voltage	V.	60V	60V	30V	30V	30V
Description	Order NO .	Order NO .	Order NO .	Order NO .	Order NO .	Order NO .
—	SD-M8A-03P-MM-SH7002-00AH	SD-M8A-04P-MM-SH7002-00AH	SD-M8B-05P-MM-SH7002-00AH	SD-M8A-06P-MM-SH7002-00AH	SD-M8A-08P-MM-SH7002-00AH	SD-M8A-08P-MM-SH7002-00AH
Customized	.....	.....	.....	.....	.....	.....

Dimension Figure



Panel Cut-Out

M8 x 1 Female Panel Mount Receptacle, Rear Mounting, Unshielded, Soldering without wire.

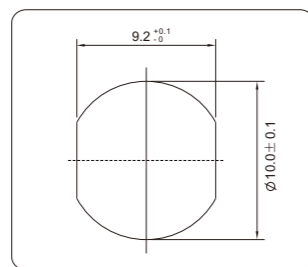


Technical Data

Standard	IEC 61076	Contact carriers material	PA
Series	M8, Female	Contact material	Copper Alloy, Gold-plated
Number of Pins	03,04,05,06,08 Pin	Metal of nut	Copper Alloy with Nickel Plated
Rated Current	3A max.	Seal	Silicone
Rated voltage	60V max.	Mechanical life	> 100 mating cycles
Insulation resistance	≥ 100MΩ	—	—
Contact resistance	≤ 5mΩ	—	—
Ambient temperature	- 40 ~ + 105°C	—	—
IP Class	IP67	—	—

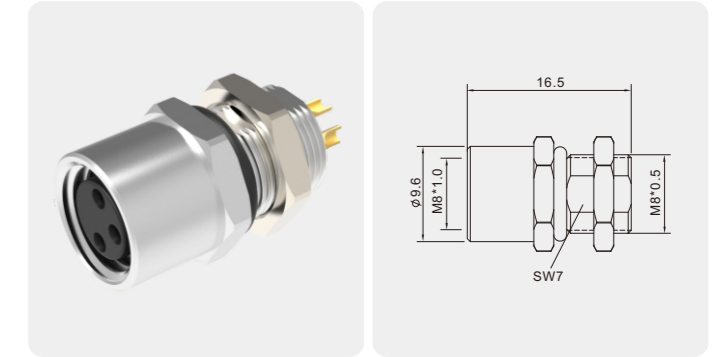
Number of Pins		03 Pin	04 Pin	05 Pin	06 Pin	08 Pin
Coding	Coded	A-Coded	A-Coded	B-Coded	A-Coded	A-Coded
	Front View					
Rated current	A.	3A	3A	3A	1.5A	1.5A
Rated voltage	V.	60V	60V	30V	30V	30V
Description	Order NO .	Order NO .	Order NO .	Order NO .	Order NO .	Order NO .
—	SD-M8A-03P-FF-SF7001-00AH	SD-M8A-04P-FF-SF7001-00AH	SD-M8B-05P-FF-SF7001-00AH	SD-M8A-06P-FF-SF7001-00AH	SD-M8A-08P-FF-SF7001-00AH	SD-M8A-08P-FF-SF7001-00AH
Customized	.....	.....	.....	.....	.....	.....

Dimension Figure



Panel Cut-Out

M8 x 1 Female Panel Mount Receptacle, Front Mounting, Unshielded, Soldering without wire.

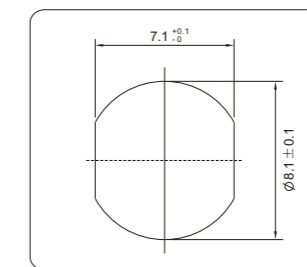


Technical Data

Standard	IEC 61076	Contact carriers material	PA
Series	M8, Female	Contact material	Copper Alloy, Gold-plated
Number of Pins	03,04,05,06,08 Pin	Metal of nut	Copper Alloy with Nickel Plated
Rated Current	3A max.	Seal	Silicone
Rated voltage	60V max.	Mechanical life	> 100 mating cycles
Insulation resistance	≥ 100MΩ	—	—
Contact resistance	≤ 5mΩ	—	—
Ambient temperature	- 40 ~ + 105°C	—	—
IP Class	IP67	—	—

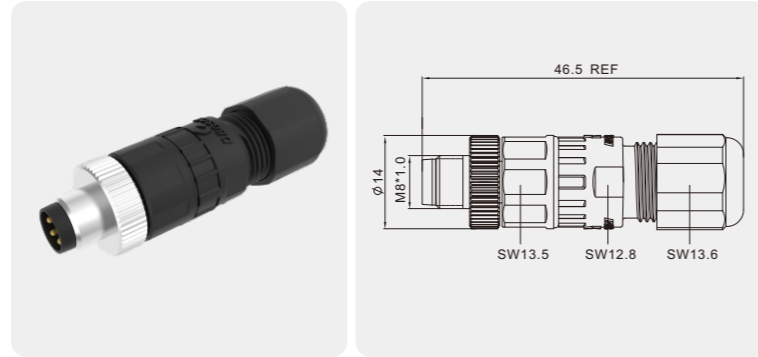
Number of Pins		03 Pin	04 Pin	05 Pin	06 Pin	08 Pin
Coding	Coded	A-Coded	A-Coded	B-Coded	A-Coded	A-Coded
	Front View					
Rated current	A.	3A	3A	3A	1.5A	1.5A
Rated voltage	V.	60V	60V	30V	30V	30V
Description	Order NO .	Order NO .	Order NO .	Order NO .	Order NO .	Order NO .
—	SD-M8A-03P-FF-SH7002-00AH	SD-M8A-04P-FF-SH7002-00AH	SD-M8B-05P-FF-SH7002-00AH	SD-M8A-06P-FF-SH7002-00AH	SD-M8A-08P-FF-SH7002-00AH	SD-M8A-08P-FF-SH7002-00AH
Customized	.....	.....	.....	.....	.....	.....

Dimension Figure



Panel Cut-Out

M8 x 1 Male Field Assembly Plug.Unshielded,Screw Connection, Straight.

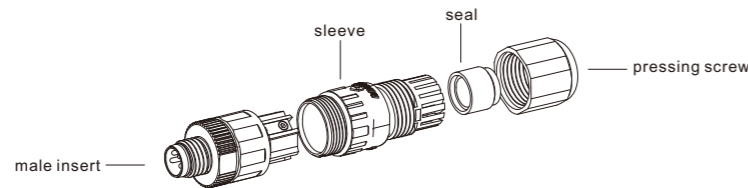


Technical Data

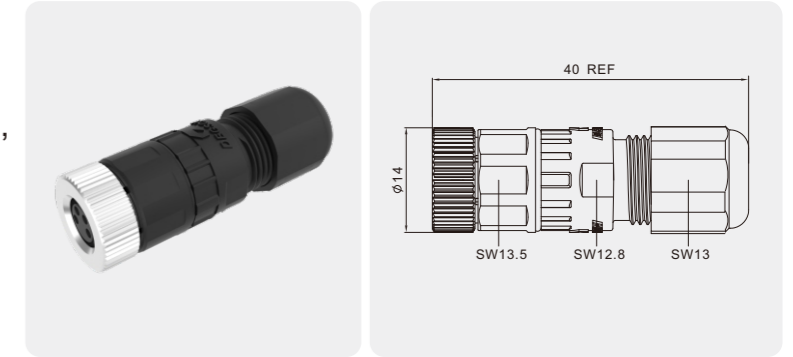
Standard	IEC 61076	Contact carriers material	PA
Series	M8, Male	Contact material	Copper Alloy, Gold-plated
Number of Pins	03,04 Pin	Metal of nut	Copper Alloy with Nickel Plated
Rated Current	3A max.	Seal	Silicone
Rated voltage	60V max.	Shielding	Unshielded
Insulation resistance	≥100MΩ	Mechanical life	> 100 mating cycles
Contact resistance	≤5mΩ	—	—
Ambient temperature	- 40 ~ +85°C	—	—
IP Class	IP67	—	—

Number of Pins		03 Pin	04 Pin
Coding	Coded	A-Coded	A-Coded
	Front View		
Rated current	A.	3A	3A
Rated voltage	V.	60V	60V
Description		Order NO .	Order NO .
—		PB-M8A-03P-MM-SL7001-00AH	PB-M8A-04P-MM-SL7001-00AH

Component part drawing



M8 x 1 Female Field Assembly Plug.Unshielded,Screw Connection, Straight.

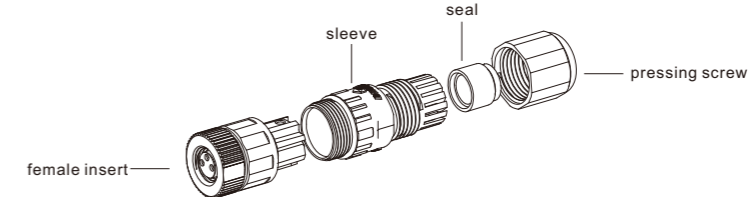


Technical Data

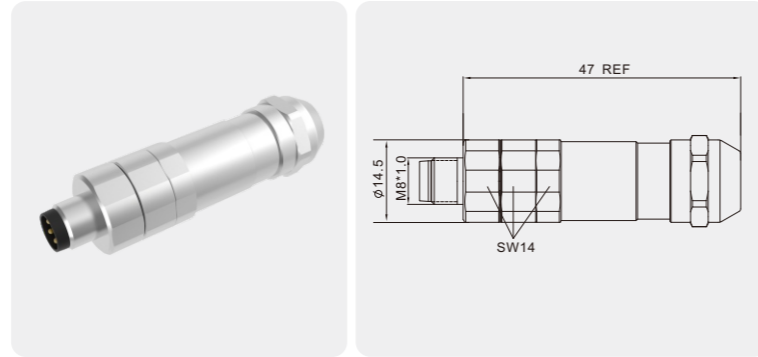
Standard	IEC 61076	Contact carriers material	PA
Series	M8, Female	Contact material	Copper Alloy, Gold-plated
Number of Pins	03,04 Pin	Metal of nut	Copper Alloy with Nickel Plated
Rated Current	3A max.	Seal	Silicone
Rated voltage	60V max.	Shielding	Unshielded
Insulation resistance	≥100MΩ	Mechanical life	> 100 mating cycles
Contact resistance	≤5mΩ	—	—
Ambient temperature	- 40 ~ +85°C	—	—
IP Class	IP67	—	—

Number of Pins		03 Pin	04 Pin
Coding	Coded	A-Coded	A-Coded
	Front View		
Rated current	A.	3A	3A
Rated voltage	V.	60V	60V
Description		Order NO .	Order NO .
—		PB-M8A-03P-FF-SL7001-00AH	PB-M8A-04P-FF-SL7001-00AH

Component part drawing



M8 x 1 Male Field Assembly Plug.  
Shielded, Screw Connection,  
Straight.

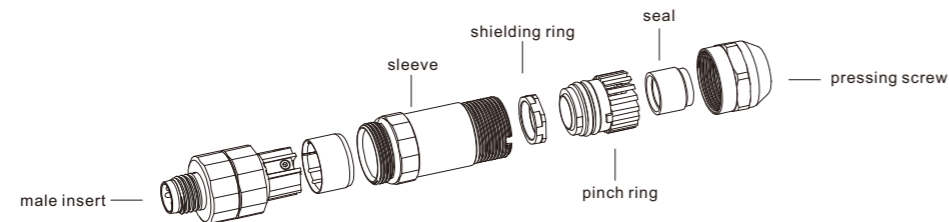


Technical Data

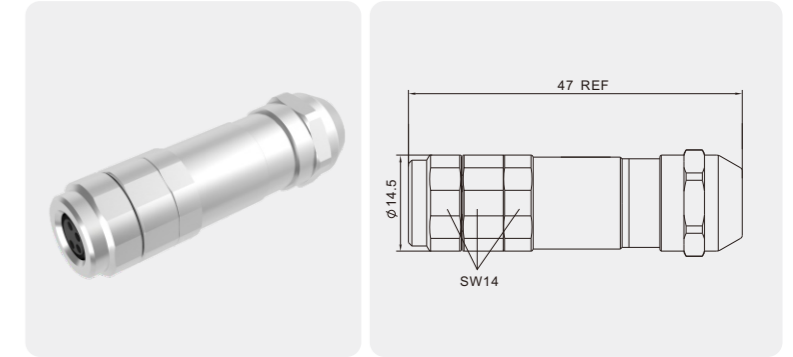
Standard	IEC 61076	Contact carriers material	PA
Series	M8, Male	Contact material	Copper Alloy, Gold-plated
Number of Pins	03,04 Pin	Metal of nut	Copper Alloy with Nickel Plated
Rated Current	3A max.	Seal	Silicone
Rated voltage	60V max.	Shielding	Shielded
Insulation resistance	≥100MΩ	Mechanical life	> 100 mating cycles
Contact resistance	≤5mΩ	—	—
Ambient temperature	- 40 ~ +85°C	—	—
IP Class	IP67	—	—

Number of Pins		03 Pin	04 Pin
Coding	Coded	A-Coded	A-Coded
	Front View		
Rated current	A.	3A	3A
Rated voltage	V.	60V	60V
Description		Order NO .	Order NO .
—		PBSH-M8A-03P-MM-SL7001-00AH	PBSH-M8A-04P-MM-SL7001-00AH

Component part drawing



M8 x 1 Female Field Assembly Plug.  
Shielded, Screw Connection,  
Straight.

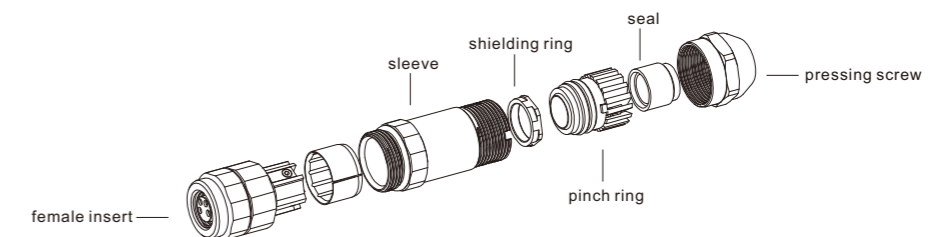


Technical Data

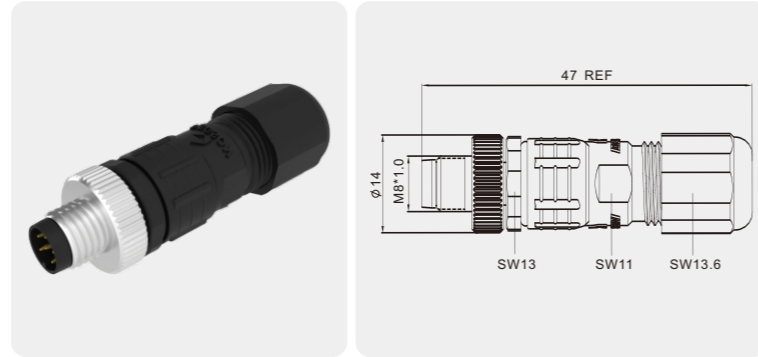
Standard	IEC 61076	Contact carriers material	PA
Series	M8, Female	Contact material	Copper Alloy, Gold-plated
Number of Pins	03,04 Pin	Metal of nut	Copper Alloy with Nickel Plated
Rated Current	3A max.	Seal	Silicone
Rated voltage	60V max.	Shielding	Shielded
Insulation resistance	≥100MΩ	Mechanical life	> 100 mating cycles
Contact resistance	≤5mΩ	—	—
Ambient temperature	- 40 ~ +85°C	—	—
IP Class	IP67	—	—

Number of Pins		03 Pin	04 Pin
Coding	Coded	A-Coded	A-Coded
	Front View		
Rated current	A.	3A	3A
Rated voltage	V.	60V	60V
Description		Order NO .	Order NO .
—		PBSH-M8A-03P-FF-SL7001-00AH	PBSH-M8A-04P-FF-SL7001-00AH

Component part drawing



M8 x 1 Male Field Assembly Plug. Unshielded, Soldering Connection, Straight.

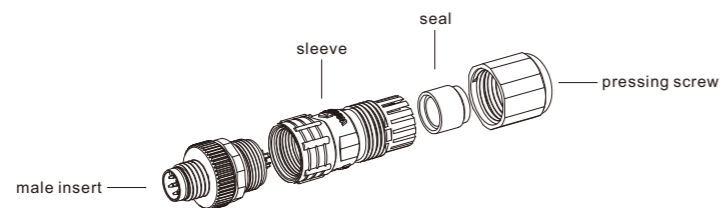


Technical Data

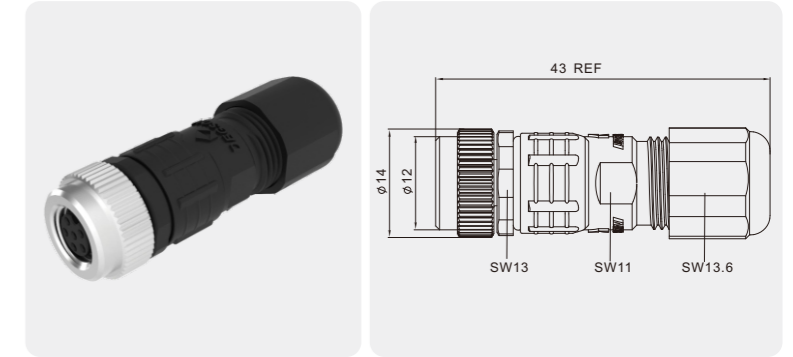
Standard	IEC 61076	Contact carriers material	PA
Series	M8, Male	Contact material	Copper Alloy, Gold-plated
Number of Pins	03,04,05,06,08 Pin	Metal of nut	Copper Alloy with Nickel Plated
Rated Current	3A max.	Seal	Silicone
Rated voltage	60V max.	Shielding	Unshielded
Insulation resistance	≥100MΩ	Mechanical life	> 100 mating cycles
Contact resistance	≤5mΩ	—	—
Ambient temperature	- 40 ~ +85°C	—	—
IP Class	IP67	—	—

Number of Pins		03 Pin	04 Pin	05 Pin	06 Pin	08 Pin
Coding	Coded	A-Coded	A-Coded	B-Coded	A-Coded	A-Coded
	Front View					
Rated current	A.	3A	3A	3A	1.5A	1.5A
Rated voltage	V.	60V	60V	30V	30V	30V
Description	Order NO .	Order NO .	Order NO .	Order NO .	Order NO .	Order NO .
—	PA-M8A-03P-MM-SL7001-00AH	PA-M8A-04P-MM-SL7001-00AH	PA-M8B-05P-MM-SL7001-00AH	PA-M8A-06P-MM-SL7001-00AH	PA-M8A-08P-MM-SL7001-00AH	

Component part drawing



M8 x 1 Female Field Assembly Plug. Unshielded, Soldering Connection, Straight.

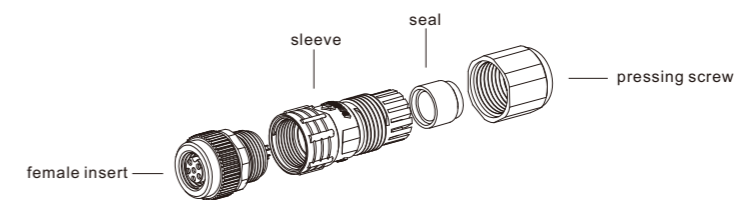


Technical Data

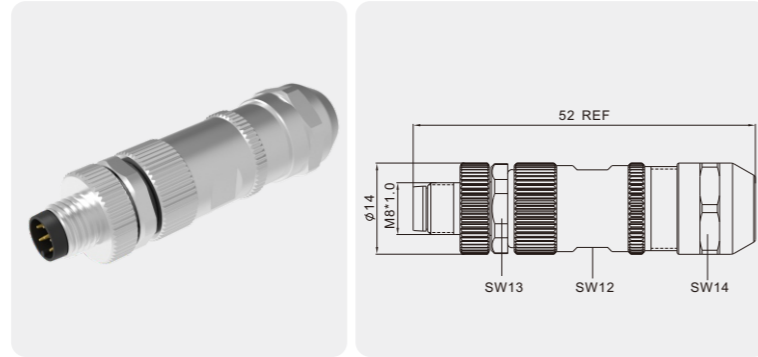
Standard	IEC 61076	Contact carriers material	PA
Series	M8, Female	Contact material	Copper Alloy, Gold-plated
Number of Pins	03,04,05,06,08 Pin	Metal of nut	Copper Alloy with Nickel Plated
Rated Current	3A max.	Seal	Silicone
Rated voltage	60V max.	Shielding	Unshielded
Insulation resistance	≥100MΩ	Mechanical life	> 100 mating cycles
Contact resistance	≤5mΩ	—	—
Ambient temperature	- 40 ~ +85°C	—	—
IP Class	IP67	—	—

Number of Pins		03 Pin	04 Pin	05 Pin	06 Pin	08 Pin
Coding	Coded	A-Coded	A-Coded	B-Coded	A-Coded	A-Coded
	Front View					
Rated current	A.	3A	3A	3A	1.5A	1.5A
Rated voltage	V.	60V	60V	30V	30V	30V
Description	Order NO .	Order NO .	Order NO .	Order NO .	Order NO .	Order NO .
—	PA-M8A-03P-FF-SL7001-00AH	PA-M8A-04P-FF-SL7001-00AH	PA-M8B-05P-FF-SL7001-00AH	PA-M8A-06P-FF-SL7001-00AH	PA-M8A-08P-FF-SL7001-00AH	

Component part drawing



M8 x 1 Male Field Assembly Plug.  
Shielded, Soldering Connection,  
Straight.

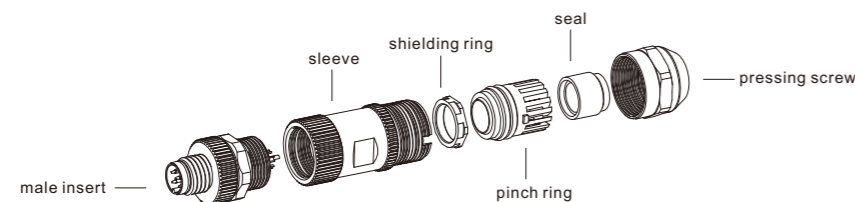


Technical Data

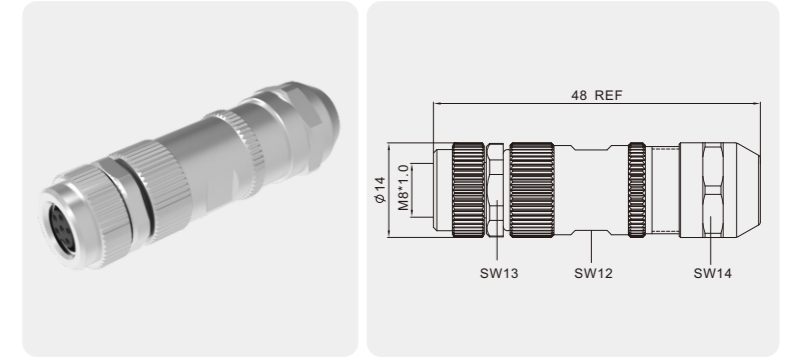
Standard	IEC 61076	Contact carriers material	PA
Series	M8, Male	Contact material	Copper Alloy, Gold-plated
Number of Pins	03,04,05,06,08Pin	Metal of nut	Copper Alloy with Nickel Plated
Rated Current	3A max.	Seal	Silicone
Rated voltage	60V max.	Shielding	Shielded
Insulation resistance	≥100MΩ	Mechanical life	> 100 mating cycles
Contact resistance	≤5mΩ	—	—
Ambient temperature	- 40 ~ +85°C	—	—
IP Class	IP67	—	—

Number of Pins		03 Pin	04 Pin	05 Pin	06 Pin	08 Pin
Coding	Coded	A-Coded	A-Coded	B-Coded	A-Coded	A-Coded
	Front View					
Rated current	A.	3A	3A	3A	1.5A	1.5A
Rated voltage	V.	60V	60V	30V	30V	30V
Description	Order NO .	Order NO .	Order NO .	Order NO .	Order NO .	Order NO .
—	PASH-M8A-03P-MM-SL7001-00AH	PASH-M8A-04P-MM-SL7001-00AH	PASH-M8B-05P-MM-SL7001-00AH	PASH-M8A-06P-MM-SL7001-00AH	PASH-M8A-08P-MM-SL7001-00AH	

Component part drawing



M8 x 1 Female Field Assembly Plug.  
Shielded, Soldering Connection,  
Straight.

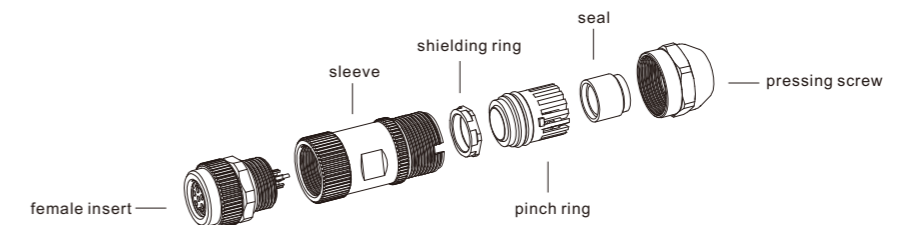


Technical Data

Standard	IEC 61076	Contact carriers material	PA
Series	M8, Female	Contact material	Copper Alloy, Gold-plated
Number of Pins	03,04,05,06,08 Pin	Metal of nut	Copper Alloy with Nickel Plated
Rated Current	3A max.	Seal	Silicone
Rated voltage	60V max.	Shielding	Shielded
Insulation resistance	≥100MΩ	Mechanical life	> 100 mating cycles
Contact resistance	≤5mΩ	—	—
Ambient temperature	- 40 ~ +85°C	—	—
IP Class	IP67	—	—

Number of Pins		03 Pin	04 Pin	05 Pin	06 Pin	08 Pin
Coding	Coded	A-Coded	A-Coded	B-Coded	A-Coded	A-Coded
	Front View					
Rated current	A.	3A	3A	3A	1.5A	1.5A
Rated voltage	V.	60V	60V	30V	30V	30V
Description	Order NO .	Order NO .	Order NO .	Order NO .	Order NO .	Order NO .
—	PASH-M8A-03P-FF-SL7001-00AH	PASH-M8A-04P-FF-SL7001-00AH	PASH-M8B-05P-FF-SL7001-00AH	PASH-M8A-06P-FF-SL7001-00AH	PASH-M8A-08P-FF-SL7001-00AH	

Component part drawing





### Advantages

- Good sealing performance, with IP class up to IP 68.
- Used in the signal transmission, data transmission, power supply etc.
- With different coding, prevent error connection.
- Shield is optional, provide reliable electromagnetic protection.
- Wire connection method is optional, suitable for continuous shock and vibration environment.
- Connection technology is suitable for all application field.
- Compatible with same series connectors on the market.

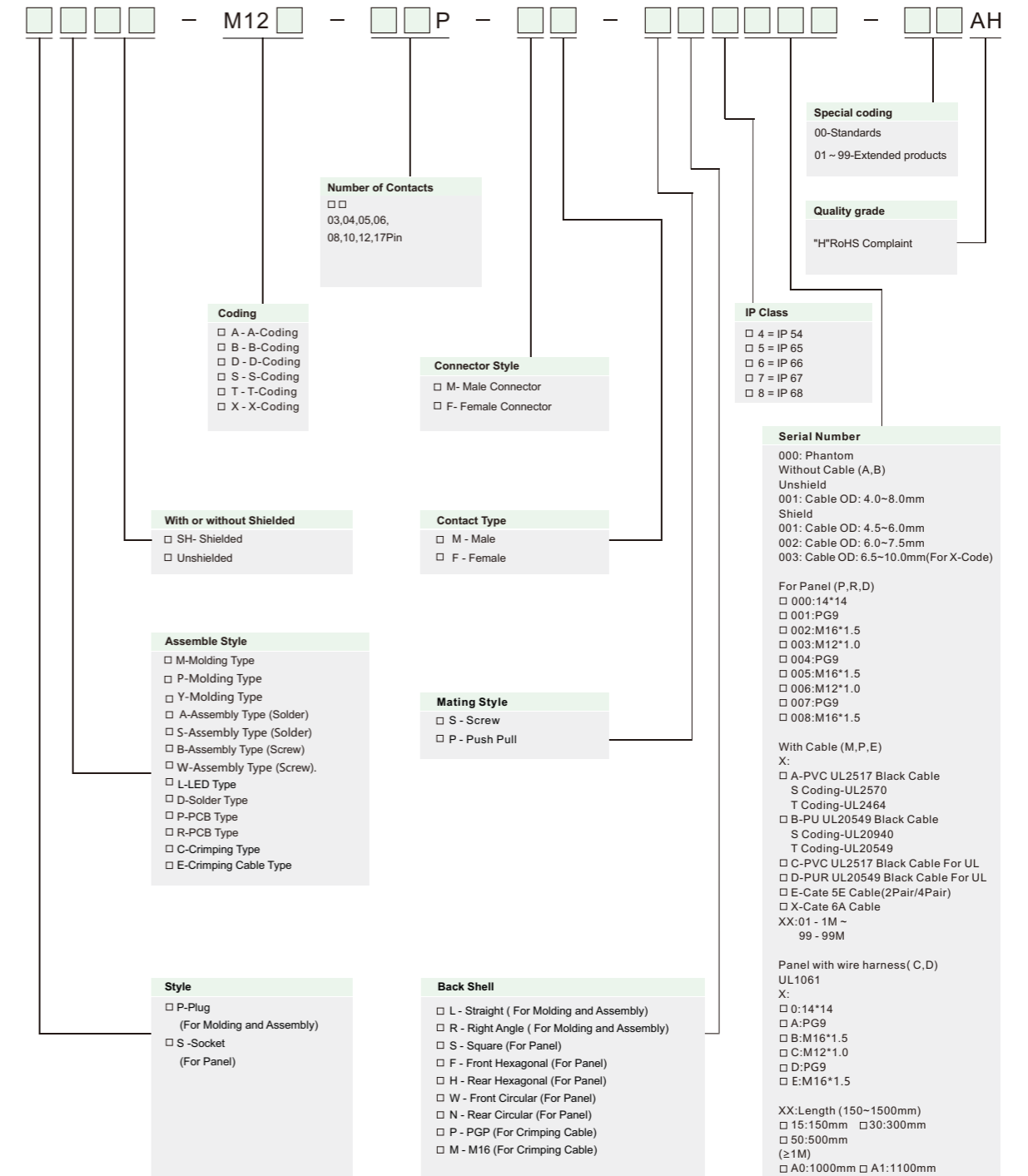
### Features

- Cable material: PUR, PVC.
- IP-class: IP68, IP69K.
- Coding is optional.
- Shield is optional.
- Wire connection method is optional.
- Compliance with IEC 61076 standard.



## Circular Connectors Part Number

### Circular Connectors Part Number Reference



For example:

1. M12 female plug 5Pin: PM-M12A-05P-FF-SL8A01-00A(H)  
Details: Plastic covered at the end of wire, M12A-Coding, 5Pin, female socket female Pin, thread locked, straight head, IP68, PVC black jacket. Covered by UL2517 wire, the length of 1.0M, standard products.
2. Delete "-", "decimal point", "()", "space", than it 's the finish product number, such as: PMM12A05PFFSL8A0100AH.

M12 x 1 Male Overmolded with Cable Plug, Single end, Unshielded, Straight.



#### Technical Data

Standard	IEC 61076	Contact carriers material	PU / PA
Series	M12, Male, Straight	Contact material	Copper Alloy, Gold-plated
Number of Pins	03,04,05,06,08,10,12,17 Pin	Metal of nut	Zinc Alloy with Nickel Plated
Rated Current	4A max.	Plastic of nut	PA
Rated voltage	250V max.	Seal	Silicone
Insulation resistance	≥100MΩ	Cable jacket material	PUR / PVC
Contact resistance	≤5mΩ	Shielding	Unshielded
Ambient temperature	- 25 ~ + 80°C	Mechanical life	> 100 mating cycles
IP Class	IP68	—	—

Number of Pins		03 Pin	04 Pin	05 Pin	06 Pin	08 Pin	
Coding	Coded	A-Coded	A-Coded	A-Coded	A-Coded	A-Coded	
	Front View						
Rated current	A.	4A	4A	2A	2A	2A	
Rated voltage	V.	250V	250V	60V	30V	30V	
Wire/Cable	Wire gauge	22AWG	22AWG	22AWG	24AWG	24AWG	
	Cross section	0.34mm <sup>2</sup>	0.34mm <sup>2</sup>	0.34mm <sup>2</sup>	0.25mm <sup>2</sup>	0.25mm <sup>2</sup>	
	Wiring list	1.BN 3.BU 4.BK	1.BN 2.WH 3.BU 4.BK	1.BN 2.WH 3.BU 4.BK 5.GY	1.WH 2.BN 3.GN 4.YE 5.GY 6.PK 7.BU	1.WH 2.BN 3.GN 4.YE 5.GY 6.PK 7.BU 8.RD	
Description		Order NO .	Order NO .	Order NO .	Order NO .	Order NO .	
PVC	Metal of nut	1m	PM-M12A-03P-MM-SL8A01-00AH	PM-M12A-04P-MM-SL8A01-00AH	PM-M12A-05P-MM-SL8A01-00AH	PM-M12A-06P-MM-SL8A01-00AH	PM-M12A-08P-MM-SL8A01-00AH
		Customized	.....	.....	.....	.....	.....
	Plastic of nut	1m	PP-M12A-03P-MM-SL8C01-00AH	PP-M12A-04P-MM-SL8C01-00AH	PP-M12A-05P-MM-SL8C01-00AH	PP-M12A-06P-MM-SL8C01-00AH	PP-M12A-08P-MM-SL8C01-00AH
		Customized	.....	.....	.....	.....	.....
PUR	Metal of nut	1m	PM-M12A-03P-MM-SL8B01-00AH	PM-M12A-04P-MM-SL8B01-00AH	PM-M12A-05P-MM-SL8B01-00AH	PM-M12A-06P-MM-SL8B01-00AH	PM-M12A-08P-MM-SL8B01-00AH
		Customized	.....	.....	.....	.....	.....
	Plastic of nut	1m	PP-M12A-03P-MM-SL8D01-00AH	PP-M12A-04P-MM-SL8D01-00AH	PP-M12A-05P-MM-SL8D01-00AH	PP-M12A-06P-MM-SL8D01-00AH	PP-M12A-08P-MM-SL8D01-00AH
		Customized	.....	.....	.....	.....	.....
PVC	PVC	1m	PM-M12A-03P-MM-SL8C01-00AH	PM-M12A-04P-MM-SL8C01-00AH	PM-M12A-05P-MM-SL8C01-00AH	PM-M12A-06P-MM-SL8C01-00AH	PM-M12A-08P-MM-SL8C01-00AH
		3m	PM-M12A-03P-MM-SL8C03-00AH	PM-M12A-04P-MM-SL8C03-00AH	PM-M12A-05P-MM-SL8C03-00AH	PM-M12A-06P-MM-SL8C03-00AH	PM-M12A-08P-MM-SL8C03-00AH
		5m	PM-M12A-03P-MM-SL8C05-00AH	PM-M12A-04P-MM-SL8C05-00AH	PM-M12A-05P-MM-SL8C05-00AH	PM-M12A-06P-MM-SL8C05-00AH	PM-M12A-08P-MM-SL8C05-00AH
		Customized	.....	.....	.....	.....	.....
PUR	PUR	1m	PM-M12A-03P-MM-SL8D01-00AH	PM-M12A-04P-MM-SL8D01-00AH	PM-M12A-05P-MM-SL8D01-00AH	PM-M12A-06P-MM-SL8D01-00AH	PM-M12A-08P-MM-SL8D01-00AH
		3m	PM-M12A-03P-MM-SL8D03-00AH	PM-M12A-04P-MM-SL8D03-00AH	PM-M12A-05P-MM-SL8D03-00AH	PM-M12A-06P-MM-SL8D03-00AH	PM-M12A-08P-MM-SL8D03-00AH
		5m	PM-M12A-03P-MM-SL8D05-00AH	PM-M12A-04P-MM-SL8D05-00AH	PM-M12A-05P-MM-SL8D05-00AH	PM-M12A-06P-MM-SL8D05-00AH	PM-M12A-08P-MM-SL8D05-00AH
		Customized	.....	.....	.....	.....	.....

M12 x 1 Male Overmolded with Cable Plug, Single end, Unshielded, Straight.



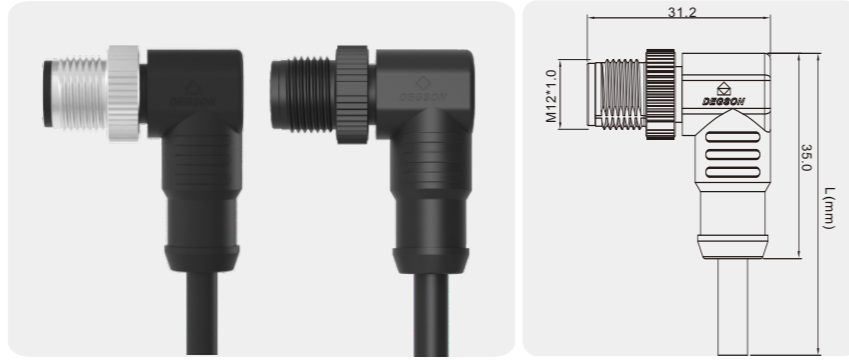
#### Technical Data

Standard	IEC 61076	Contact carriers material	PU / PA
Series	M12, Male, Straight	Contact material	Copper Alloy, Gold-plated
Number of Pins	03,04,05,06,08,10,12,17 Pin	Metal of nut	Zinc Alloy with Nickel Plated
Rated Current	4A max.	Plastic of nut	PA
Rated voltage	250V max.	Seal	Silicone
Insulation resistance	≥100MΩ	Cable jacket material	PUR / PVC
Contact resistance	≤5mΩ	Shielding	Unshielded
Ambient temperature	- 25 ~ + 80°C	Mechanical life	> 100 mating cycles
IP Class	IP68	—	—

Number of Pins		10 Pin	12 Pin	17 Pin	05 Pin	04 Pin	
Coding	Coded	A-Coded	A-Coded	A-Coded	B-Coded	D-Coded	
	Front View						
Rated current	A.	1.5A	1.5A	1.5A	4A	4A	
Rated voltage	V.	30V	30V	30V	60V	250V	
Wire/Cable	Wire gauge	26AWG	26AWG	26AWG	22AWG	22AWG	
	Cross section	0.14mm <sup>2</sup>	0.14mm <sup>2</sup>	0.14mm <sup>2</sup>	0.34mm <sup>2</sup>	0.34mm <sup>2</sup>	
	Wiring list	1.BN 2.BU 3.WH 4.GN 5.PK 6.YW 7.BK 8.GY 9.RD 10.VT	1.BN 2.BU 3.WH 4.GN 5.PK 6.YW 7.BK 8.GY 9.RD 10.VT 11.GY/PK 12.RD/BU	1.BN 2.BU 3.WH 4.GN 5.PK 6.YW 7.BK 8.GY 9.RD 10.VT 11.GY/PK 12.RD/BU 13.WH/GN 14.BN/GN 15.WH/YW 16.YW/BN 17.WH/GY	1.BN 2.WH 3.BU 4.BK 5.GY	1.BN 2.WH 3.BU 4.BK	
Description		Order NO .	Order NO .	Order NO .	Order NO .	Order NO .	
PVC	Metal of nut	1m	PM-M12A-10P-MM-SL8A01-00AH	PM-M12A-12P-MM-SL8A01-00AH	PM-M12A-17P-MM-SL8A01-00AH	PM-M12B-05P-MM-SL8A01-00AH	PM-M12D-04P-MM-SL8A01-00AH
		Customized	.....	.....	.....	.....	.....
	Plastic of nut	1m	PP-M12A-10P-MM-SL8C01-00AH	PP-M12A-12P-MM-SL8C01-00AH	PP-M12A-17P-MM-SL8C01-00AH	PP-M12B-05P-MM-SL8C01-00AH	PP-M12D-04P-MM-SL8C01-00AH
		Customized	.....	.....	.....	.....	.....
PUR	Metal of nut	1m	PM-M12A-10P-MM-SL8B01-00AH	PM-M12A-12P-MM-SL8B01-00AH	PM-M12A-17P-MM-SL8B01-00AH	PM-M12B-05P-MM-SL8B01-00AH	PM-M12D-04P-MM-SL8B01-00AH
		Customized	.....	.....	.....	.....	.....
	Plastic of nut	1m	PP-M12A-10P-MM-SL8D01-00AH	PP-M12A-12P-MM-SL8D01-00AH	PP-M12A-17P-MM-SL8D01-00AH	PP-M12B-05P-MM-SL8D01-00AH	PP-M12D-04P-MM-SL8D01-00AH
		Customized	.....	.....	.....	.....	.....
PVC	PVC	1m	PM-M12A-10P-MM-SL8C01-00AH	PM-M12A-12P-MM-SL8C01-00AH	PM-M12A-17P-MM-SL8C01-00AH	PM-M12B-05P-MM-SL8C01-00AH	PM-M12D-04P-MM-SL8C01-00AH
		3m	PM-M12A-10P-MM-SL8C03-00AH	PM-M12A-12P-MM-SL8C03-00AH	PM-M12A-17P-MM-SL8C03-00AH	PM-M12B-05P-MM-SL8C03-00AH	PM-M12D-04P-MM-SL8C03-00AH
		5m	PM-M12A-10P-MM-SL8C05-00AH	PM-M12A-12P-MM-SL8C05-00AH	PM-M12A-17P-MM-SL8C05-00AH	PM-M12B-05P-MM-SL8C05-00AH	PM-M12D-04P-MM-SL8C05-00AH
		Customized	.....	.....	.....	.....	.....
PUR	PUR	1m	PM-M12A-10P-MM-SL8D01-00AH	PM-M12A-12P-MM-SL8D01-00AH	PM-M12A-17P-MM-SL8D01-00AH	PM-M12B-05P-MM-SL8D01-00AH	PM-M12D-04P-MM-SL8D01-00AH
		3m	PM-M12A-10P-MM-SL8D03-00AH	PM-M12A-12P-MM-SL8D03-00AH	PM-M12A-17P-MM-SL8D03-00AH	PM-M12B-05P-MM-SL8D03-00AH	PM-M12D-04P-MM-SL8D03-00AH
		5m	PM-M12A-10P-MM-SL8D05-00AH	PM-M12A-12P-MM-SL8D05-00AH	PM-M12A-17P-MM-SL8D05-00AH	PM-M12B-05P-MM-SL8D05-00AH	PM-M12D-04P-MM-SL8D05-00AH
		Customized	.....	.....	.....	.....	.....



M12 x 1 Male Overmolded with Cable Plug, Single end, Unshielded, Angled.

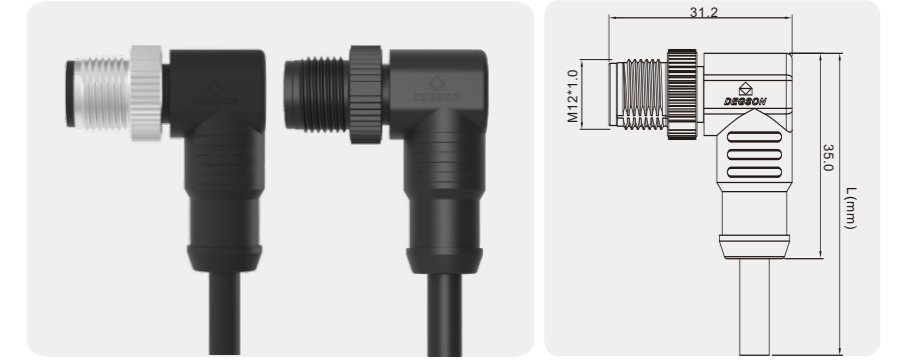


Technical Data

Standard	IEC 61076	Contact carriers material	PU / PA
Series	M12, Male, Angled	Contact material	Copper Alloy, Gold-plated
Number of Pins	03,04,05,06,08,10,12,17Pin	Metal of nut	Zinc Alloy with Nickel Plated
Rated Current	4A max.	Plastic of nut	PA
Rated voltage	250V max.	Seal	Silicone
Insulation resistance	≥100MΩ	Cable jacket material	PUR / PVC
Contact resistance	≤5mΩ	Shielding	Unshielded
Ambient temperature	- 25 ~ + 80°C	Mechanical life	> 100 mating cycles
IP Class	IP68	—	—

Number of Pins		03 Pin	04 Pin	05 Pin	06 Pin	08 Pin	
Coding	Coded	A-Coded	A-Coded	A-Coded	A-Coded	A-Coded	
	Front View						
Rated current	A.	4A	4A	4A	2A	2A	
Rated voltage	V.	250V	250V	60V	30V	30V	
Wire/Cable	Wire gauge	22AWG	22AWG	22AWG	24AWG	24AWG	
	Cross section	0.34mm <sup>2</sup>	0.34mm <sup>2</sup>	0.34mm <sup>2</sup>	0.25mm <sup>2</sup>	0.25mm <sup>2</sup>	
	Wiring list	1.BN 3.BU 4.BK	1.BN 2.WH 3.BU 4.BK	1.BN 2.WH 3.BU 4.BK 5.GY	1.WH 2.BN 3.GN 4.YE 5.GY 6.PK 7.BU 8.RD	1.WH 2.BN 3.GN 4.YE 5.GY 6.PK 7.BU 8.RD	1.WH 2.WH 3.BU 4.BK
Description		Order NO .	Order NO .	Order NO .	Order NO .	Order NO .	
PVC	Metal of nut	1m	PM-M12A-03P-MM-SR8A01-00AH	PM-M12A-04P-MM-SR8A01-00AH	PM-M12A-05P-MM-SR8A01-00AH	PM-M12A-06P-MM-SR8A01-00AH	PM-M12A-08P-MM-SR8A01-00AH
		Customized	.....	.....	.....	.....	.....
	Plastic of nut	1m	PP-M12A-03P-MM-SR8C01-00AH	PP-M12A-04P-MM-SR8C01-00AH	PP-M12A-05P-MM-SR8C01-00AH	PP-M12A-06P-MM-SR8C01-00AH	PP-M12A-08P-MM-SR8C01-00AH
		Customized	.....	.....	.....	.....	.....
PUR	Metal of nut	1m	PM-M12A-03P-MM-SR8B01-00AH	PM-M12A-04P-MM-SR8B01-00AH	PM-M12A-05P-MM-SR8B01-00AH	PM-M12A-06P-MM-SR8B01-00AH	PM-M12A-08P-MM-SR8B01-00AH
		Customized	.....	.....	.....	.....	.....
	Plastic of nut	1m	PP-M12A-03P-MM-SR8D01-00AH	PP-M12A-04P-MM-SR8D01-00AH	PP-M12A-05P-MM-SR8D01-00AH	PP-M12A-06P-MM-SR8D01-00AH	PP-M12A-08P-MM-SR8D01-00AH
		Customized	.....	.....	.....	.....	.....
PVC	PVC	1m	PM-M12A-03P-MM-SR8C01-00AH	PM-M12A-04P-MM-SR8C01-00AH	PM-M12A-05P-MM-SR8C01-00AH	PM-M12A-06P-MM-SR8C01-00AH	PM-M12A-08P-MM-SR8C01-00AH
		3m	PM-M12A-03P-MM-SR8C03-00AH	PM-M12A-04P-MM-SR8C03-00AH	PM-M12A-05P-MM-SR8C03-00AH	PM-M12A-06P-MM-SR8C03-00AH	PM-M12A-08P-MM-SR8C03-00AH
		5m	PM-M12A-03P-MM-SR8C05-00AH	PM-M12A-04P-MM-SR8C05-00AH	PM-M12A-05P-MM-SR8C05-00AH	PM-M12A-06P-MM-SR8C05-00AH	PM-M12A-08P-MM-SR8C05-00AH
		Customized	.....	.....	.....	.....	.....
PUR	PUR	1m	PM-M12A-03P-MM-SR8D01-00AH	PM-M12A-04P-MM-SR8D01-00AH	PM-M12A-05P-MM-SR8D01-00AH	PM-M12A-06P-MM-SR8D01-00AH	PM-M12A-08P-MM-SR8D01-00AH
		3m	PM-M12A-03P-MM-SR8D03-00AH	PM-M12A-04P-MM-SR8D03-00AH	PM-M12A-05P-MM-SR8D03-00AH	PM-M12A-06P-MM-SR8D03-00AH	PM-M12A-08P-MM-SR8D03-00AH
		5m	PM-M12A-03P-MM-SR8D05-00AH	PM-M12A-04P-MM-SR8D05-00AH	PM-M12A-05P-MM-SR8D05-00AH	PM-M12A-06P-MM-SR8D05-00AH	PM-M12A-08P-MM-SR8D05-00AH
		Customized	.....	.....	.....	.....	.....

M12 x 1 Male Overmolded with Cable Plug, Single end, Unshielded, Angled.

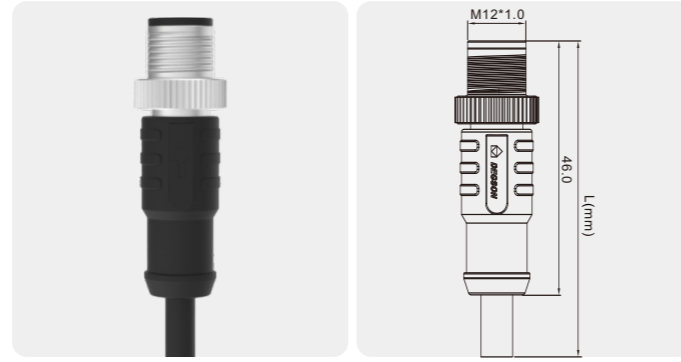


Technical Data

Standard	IEC 61076	Contact carriers material	PU / PA
Series	M12, Male, Angled	Contact material	Copper Alloy, Gold-plated
Number of Pins	03,04,05,06,08,10,12,17Pin	Metal of nut	Zinc Alloy with Nickel Plated
Rated Current	4A max.	Plastic of nut	PA
Rated voltage	250V max.	Seal	Silicone
Insulation resistance	≥100MΩ	Cable jacket material	PUR / PVC
Contact resistance	≤5mΩ	Shielding	Unshielded
Ambient temperature	- 25 ~ + 80°C	Mechanical life	> 100 mating cycles
IP Class	IP68	—	—

Number of Pins		10 Pin	12 Pin	17 Pin	05 Pin	04 Pin	
Coding	Coded	A-Coded	A-Coded	A-Coded	B-Coded	D-Coded	
	Front View						
Rated current	A.	1.5A	1.5A	1.5A	4A	4A	
Rated voltage	V.	30V	30V	30V	60V	250V	
Wire/Cable	Wire gauge	26AWG	26AWG	26AWG	22AWG	22AWG	
	Cross section	0.14mm <sup>2</sup>	0.14mm <sup>2</sup>	0.14mm <sup>2</sup>	0.34mm <sup>2</sup>	0.34mm <sup>2</sup>	
	Wiring list	1.BN 2.BU 3.WH 4.GN 5.PK 6.YW 7.BK 8.GY 9.RD 10.VT	1.BN 2.BU 3.WH 4.GN 5.PK 6.YW 7.BK 8.GY 9.RD 10.VT 11.GY/PK 12.RD/BU	1.BN 2.BU 3.WH 4.GN 5.PK 6.YW 7.BK 8.GY 9.RD 10.VT 11.GY/PK 12.RD/BU 13.WH/GN 14.BN/GN 15.WH/YW 16.YW/BN 17.WH/GY	1.BN 2.WH 3.BU 4.BK 5.GY	1.BN 2.WH 3.BU 4.BK	
Description		Order NO .	Order NO .	Order NO .	Order NO .	Order NO .	
PVC	Metal of nut	1m	PM-M12A-10P-MM-SR8A01-00AH	PM-M12A-12P-MM-SR8A01-00AH	PM-M12A-17P-MM-SR8A01-00AH	PM-M12B-05P-MM-SR8A01-00AH	PM-M12D-04P-MM-SR8A01-00AH
		Customized	.....	.....	.....	.....	.....
	Plastic of nut	1m	PP-M12A-10P-MM-SR8C01-00AH	PP-M12A-12P-MM-SR8C01-00AH	PP-M12A-17P-MM-SR8C01-00AH	PP-M12B-05P-MM-SR8C01-00AH	PP-M12D-04P-MM-SR8C01-00AH
		Customized	.....	.....	.....	.....	.....
PUR	Metal of nut	1m	PM-M12A-10P-MM-SR8B01-00AH	PM-M12A-12P-MM-SR8B01-00AH	PM-M12A-17P-MM-SR8B01-00AH	PM-M12B-05P-MM-SR8B01-00AH	PM-M12D-04P-MM-SR8B01-00AH
		Customized	.....	.....	.....	.....	.....
	Plastic of nut	1m	PP-M12A-10P-MM-SR8D01-00AH	PP-M12A-12P-MM-SR8D01-00AH	PP-M12A-17P-MM-SR8D01-00AH	PP-M12B-05P-MM-SR8D01-00AH	PP-M12D-04P-MM-SR8D01-00AH
		Customized	.....	.....	.....	.....	.....
PVC	PVC	1m	PM-M12A-10P-MM-SR8C01-00AH	PM-M12A-12P-MM-SR8C01-00AH	PM-M12A-17P-MM-SR8C01-00AH	PM-M12B-05P-MM-SR8C01-00AH	PM-M12D-04P-MM-SR8C01-00AH
		3m	PM-M12A-10P-MM-SR8C03-00AH	PM-M12A-12P-MM-SR8C03-00AH	PM-M12A-17P-MM-SR8C03-00AH	PM-M12B-05P-MM-SR8C03-00AH	PM-M12D-04P-MM-SR8C03-00AH
		5m	PM-M12A-10P-MM-SR8C05-00AH	PM-M12A-12P-MM-SR8C05-00AH	PM-M12A-17P-MM-SR8C05-00AH	PM-M12B-05P-MM-SR8C05-00AH	PM-M12D-04P-MM-SR8C05-00AH
		Customized	.....	.....	.....	.....	.....
PUR	PUR	1m	PM-M12A-10P-MM-SR8D01-00AH	PM-M12A-12P-MM-SR8D01-00AH	PM-M12A-17P-MM-SR8D01-00AH	PM-M12B-05P-MM-SR8D01-00AH	PM-M12D-04P-MM-SR8D01-00AH
		3m	PM-M12A-10P-MM-SR8D03-00AH	PM-M12A-12P-MM-SR8D03-00AH	PM-M12A-17P-MM-SR8D03-00AH	PM-M12B-05P-MM-SR8D03-00AH	PM-M12D-04P-MM-SR8D03-00AH
		5m	PM-M12A-10P-MM-SR8D05-00AH	PM-M12A-12P-MM-SR8D05-00AH	PM-M12A-17P-MM-SR8D05-00AH	PM-M12B-05P-MM-SR8D05-00AH	PM-M12D-04P-MM-SR8D05-00AH
		Customized	.....	.....	.....	.....	.....

M12 x 1 Male Overmolded with Cable Plug, Single end, Shielded, Straight.

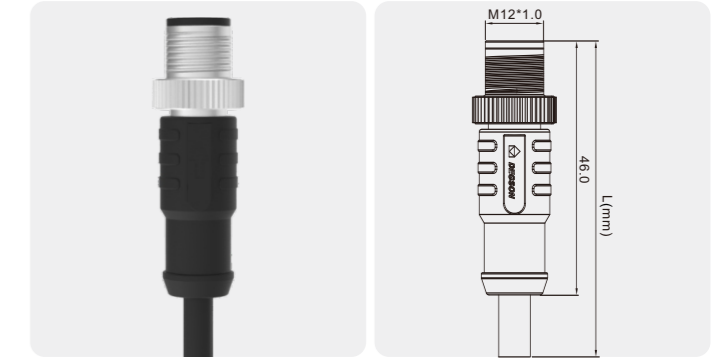


#### Technical Data

Standard	IEC 61076	Contact carriers material	PA
Series	M12, Male, Straight	Contact material	Copper Alloy, Gold-plated
Number of Pins	03,04,05,06,08,10,12,17Pin	Metal of nut	Zinc Alloy with Nickel Plated
Rated Current	4A max.	Seal	Silicone
Rated voltage	250V max.	Cable jacket material	PUR / PVC
Insulation resistance	≥100MΩ	Shielding	Shielded
Contact resistance	≤5mΩ	Mechanical life	> 100 mating cycles
Ambient temperature	- 25 ~ + 80°C	—	—
IP Class	IP68	—	—

Number of Pins		03 Pin	04 Pin	05 Pin	06 Pin	08 Pin
Coding	Coded	A-Coded	A-Coded	A-Coded	A-Coded	A-Coded
	Front View					
Rated current	A.	4A	4A	4A	2A	2A
Rated voltage	V.	250V	250V	60V	30V	30V
Wire/Cable	Wire gauge	22AWG	22AWG	22AWG	24AWG	24AWG
	Cross section	0.34mm <sup>2</sup>	0.34mm <sup>2</sup>	0.34mm <sup>2</sup>	0.25mm <sup>2</sup>	0.25mm <sup>2</sup>
	Wiring list	1.BN 3.BU 4.BK	1.BN 2.WH 3.BU 4.BK	1.BN 2.WH 3.BU 4.BK 5.GY	1.WH 2.BN 3.GN 4.YE 6.PK 7.BU	1.WH 2.BN 3.GN 4.YE 5.GY 6.PK 7.BU 8.RD
Description	Order NO .	Order NO .	Order NO .	Order NO .	Order NO .	
PVC	1m	PMSH-M12A-03P-MM-SL8A01-00AH	PMSH-M12A-04P-MM-SL8A01-00AH	PMSH-M12A-05P-MM-SL8A01-00AH	PMSH-M12A-06P-MM-SL8A01-00AH	PMSH-M12A-08P-MM-SL8A01-00AH
	3m	PMSH-M12A-03P-MM-SL8A03-00AH	PMSH-M12A-04P-MM-SL8A03-00AH	PMSH-M12A-05P-MM-SL8A03-00AH	PMSH-M12A-06P-MM-SL8A03-00AH	PMSH-M12A-08P-MM-SL8A03-00AH
	5m	PMSH-M12A-03P-MM-SL8A05-00AH	PMSH-M12A-04P-MM-SL8A05-00AH	PMSH-M12A-05P-MM-SL8A05-00AH	PMSH-M12A-06P-MM-SL8A05-00AH	PMSH-M12A-08P-MM-SL8A05-00AH
	Customized	.....	.....	.....	.....	.....
PUR	1m	PMSH-M12A-03P-MM-SL8B01-00AH	PMSH-M12A-04P-MM-SL8B01-00AH	PMSH-M12A-05P-MM-SL8B01-00AH	PMSH-M12A-06P-MM-SL8B01-00AH	PMSH-M12A-08P-MM-SL8B01-00AH
	3m	PMSH-M12A-03P-MM-SL8B03-00AH	PMSH-M12A-04P-MM-SL8B03-00AH	PMSH-M12A-05P-MM-SL8B03-00AH	PMSH-M12A-06P-MM-SL8B03-00AH	PMSH-M12A-08P-MM-SL8B03-00AH
	5m	PMSH-M12A-03P-MM-SL8B05-00AH	PMSH-M12A-04P-MM-SL8B05-00AH	PMSH-M12A-05P-MM-SL8B05-00AH	PMSH-M12A-06P-MM-SL8B05-00AH	PMSH-M12A-08P-MM-SL8B05-00AH
	Customized	.....	.....	.....	.....	.....
PVC	1m	PMSH-M12A-03P-MM-SL8C01-00AH	PMSH-M12A-04P-MM-SL8C01-00AH	PMSH-M12A-05P-MM-SL8C01-00AH	PMSH-M12A-06P-MM-SL8C01-00AH	PMSH-M12A-08P-MM-SL8C01-00AH
	3m	PMSH-M12A-03P-MM-SL8C03-00AH	PMSH-M12A-04P-MM-SL8C03-00AH	PMSH-M12A-05P-MM-SL8C03-00AH	PMSH-M12A-06P-MM-SL8C03-00AH	PMSH-M12A-08P-MM-SL8C03-00AH
	5m	PMSH-M12A-03P-MM-SL8C05-00AH	PMSH-M12A-04P-MM-SL8C05-00AH	PMSH-M12A-05P-MM-SL8C05-00AH	PMSH-M12A-06P-MM-SL8C05-00AH	PMSH-M12A-08P-MM-SL8C05-00AH
	Customized	.....	.....	.....	.....	.....
PUR	1m	PMSH-M12A-03P-MM-SL8D01-00AH	PMSH-M12A-04P-MM-SL8D01-00AH	PMSH-M12A-05P-MM-SL8D01-00AH	PMSH-M12A-06P-MM-SL8D01-00AH	PMSH-M12A-08P-MM-SL8D01-00AH
	3m	PMSH-M12A-03P-MM-SL8D03-00AH	PMSH-M12A-04P-MM-SL8D03-00AH	PMSH-M12A-05P-MM-SL8D03-00AH	PMSH-M12A-06P-MM-SL8D03-00AH	PMSH-M12A-08P-MM-SL8D03-00AH
	5m	PMSH-M12A-03P-MM-SL8D05-00AH	PMSH-M12A-04P-MM-SL8D05-00AH	PMSH-M12A-05P-MM-SL8D05-00AH	PMSH-M12A-06P-MM-SL8D05-00AH	PMSH-M12A-08P-MM-SL8D05-00AH
	Customized	.....	.....	.....	.....	.....

M12 x 1 Male Overmolded with Cable Plug, Single end, Shielded, Straight.

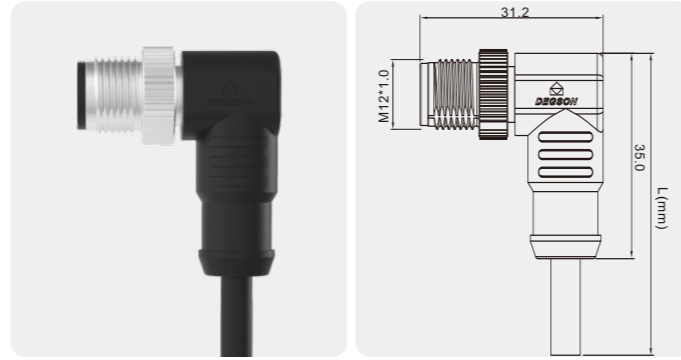


#### Technical Data

Standard	IEC 61076	Contact carriers material	PA
Series	M12, Male, Straight	Contact material	Copper Alloy, Gold-plated
Number of Pins	03,04,05,06,08,10,12,17Pin	Metal of nut	Zinc Alloy with Nickel Plated
Rated Current	4A max.	Seal	Silicone
Rated voltage	250V max.	Cable jacket material	PUR / PVC
Insulation resistance	≥100MΩ	Shielding	Shielded
Contact resistance	≤5mΩ	Mechanical life	> 100 mating cycles
Ambient temperature	- 25 ~ + 80°C	—	—
IP Class	IP68	—	—

Number of Pins		10 Pin	12 Pin	17 Pin	05 Pin	04 Pin
Coding	Coded	A-Coded	A-Coded	A-Coded	B-Coded	D-Coded
	Front View					
Rated current	A.	1.5A	1.5A	1.5A	4A	4A
Rated voltage	V.	30V	30V	30V	60V	250V
Wire/Cable	Wire gauge	26AWG	26AWG	26AWG	22AWG	22AWG
	Cross section	0.14mm <sup>2</sup>	0.14mm <sup>2</sup>	0.14mm <sup>2</sup>	0.34mm <sup>2</sup>	0.34mm <sup>2</sup>
	Wiring list	1.BN 2.BU 3.WH 4.GN 5.PK 6.YW 7.BK 8.GY 9.RD 10.VT	1.BN 2.BU 3.WH 4.GN 5.PK 6.YW 7.BK 8.GY 9.RD 10.VT 11.GY/PK 12.RD/BU	1.BN 2.BU 3.WH 4.GN 5.PK 6.YW 7.BK 8.GY 9.RD 10.VT 11.GY/PK 12.RD/BU 13.WH/GN 14.BN/GN 15.WH/YW 16.YW/BN 17.WH/GY	1.BN 2.WH 3.BU 4.BK 5.GY	1.YW 2.WH 3.0G 4.BU
Description	Order NO .	Order NO .	Order NO .	Order NO .	Order NO .	
PVC	1m	PMSH-M12A-10P-MM-SL8A01-00AH	PMSH-M12A-12P-MM-SL8A01-00AH	PMSH-M12A-17P-MM-SL8A01-00AH	PMSH-M12B-05P-MM-SL8A01-00AH	PMSH-M12D-04P-MM-SL8A01-00AH
	3m	PMSH-M12A-10P-MM-SL8A03-00AH	PMSH-M12A-12P-MM-SL8A03-00AH	PMSH-M12A-17P-MM-SL8A03-00AH	PMSH-M12B-05P-MM-SL8A03-00AH	PMSH-M12D-04P-MM-SL8A03-00AH
	5m	PMSH-M12A-10P-MM-SL8A05-00AH	PMSH-M12A-12P-MM-SL8A05-00AH	PMSH-M12A-17P-MM-SL8A05-00AH	PMSH-M12B-05P-MM-SL8A05-00AH	PMSH-M12D-04P-MM-SL8A05-00AH
	Customized	.....	.....	.....	.....	.....
PUR	1m	PMSH-M12A-10P-MM-SL8B01-00AH	PMSH-M12A-12P-MM-SL8B01-00AH	PMSH-M12A-17P-MM-SL8B01-00AH	PMSH-M12B-05P-MM-SL8B01-00AH	PMSH-M12D-04P-MM-SL8B01-00AH
	3m	PMSH-M12A-10P-MM-SL8B03-00AH	PMSH-M12A-12P-MM-SL8B03-00AH	PMSH-M12A-17P-MM-SL8B03-00AH	PMSH-M12B-05P-MM-SL8B03-00AH	PMSH-M12D-04P-MM-SL8B03-00AH
	5m	PMSH-M12A-10P-MM-SL8B05-00AH	PMSH-M12A-12P-MM-SL8B05-00AH	PMSH-M12A-17P-MM-SL8B05-00AH	PMSH-M12B-05P-MM-SL8B05-00AH	PMSH-M12D-04P-MM-SL8B05-00AH
	Customized	.....	.....	.....	.....	.....
PVC	1m	PMSH-M12A-10P-MM-SL8C01-00AH	PMSH-M12A-12P-MM-SL8C01-00AH	PMSH-M12A-17P-MM-SL8C01-00AH	PMSH-M12B-05P-MM-SL8C01-00AH	PMSH-M12D-04P-MM-SL8C01-00AH
	3m	PMSH-M12A-10P-MM-SL8C03-00AH	PMSH-M12A-12P-MM-SL8C03-00AH	PMSH-M12A-17P-MM-SL8C03-00AH	PMSH-M12B-05P-MM-SL8C03-00AH	PMSH-M12D-04P-MM-SL8C03-00AH
	5m	PMSH-M12A-10P-MM-SL8C05-00AH	PMSH-M12A-12P-MM-SL8C05-00AH	PMSH-M12A-17P-MM-SL8C05-00AH	PMSH-M12B-05P-MM-SL8C05-00AH	PMSH-M12D-04P-MM-SL8C05-00AH
	Customized	.....	.....	.....	.....	.....
PUR	1m	PMSH-M12A-10P-MM-SL8D01-00AH	PMSH-M12A-12P-MM-SL8D01-00AH	PMSH-M12A-17P-MM-SL8D01-00AH	PMSH-M12B-05P-MM-SL8D01-00AH	PMSH-M12D-04P-MM-SL8D01-00AH
	3m	PMSH-M12A-10P-MM-SL8D03-00AH	PMSH-M12A-12P-MM-SL8D03-00AH	PMSH-M12A-17P-MM-SL8D03-00AH	PMSH-M12B-05P-MM-SL8D03-00AH	PMSH-M12D-04P-MM-SL8D03-00AH
	5m	PMSH-M12A-10P-MM-SL8D05-00AH	PMSH-M12A-12P-MM-SL8D05-00AH	PMSH-M12A-17P-MM-SL8D05-00AH	PMSH-M12B-05P-MM-SL8D05-00AH	PMSH-M12D-04P-MM-SL8D05-00AH
	Customized	.....	.....	.....	.....	.....

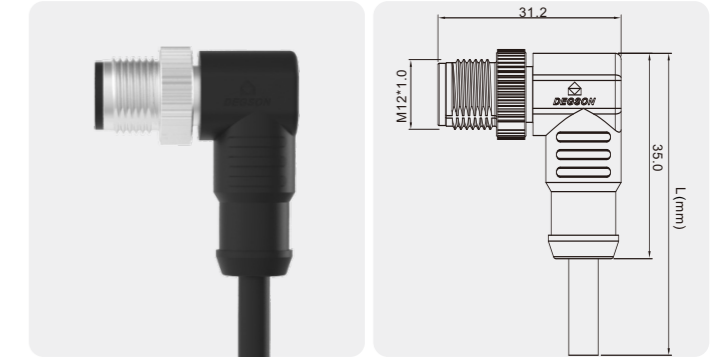
M12 x 1 Male, Overmolded with Cable Plug, Single end, Shielded, Angled.


**Technical Data**

Standard	IEC 61076	Contact carriers material	PA
Series	M12, Male, Angled	Contact material	Copper Alloy, Gold-plated
Number of Pins	03, 04, 05, 06, 08, 10, 12, 17 Pin	Metal of nut	Zinc Alloy with Nickel Plated
Rated Current	4A max.	Seal	Silicone
Rated voltage	250V max.	Cable jacket material	PUR / PVC
Insulation resistance	≥ 100MΩ	Shielding	Shielded
Contact resistance	≤ 5mΩ	Mechanical life	> 100 mating cycles
Ambient temperature	- 25 ~ + 80°C	—	—
IP Class	IP68	—	—

Number of Pins		03 Pin	04 Pin	05 Pin	06 Pin	08 Pin
Coding	Coded	A-Coded	A-Coded	A-Coded	A-Coded	A-Coded
	Front View					
Rated current	A.	4A	4A	4A	2A	2A
Rated voltage	V.	250V	250V	60V	30V	30V
Wire/Cable	Wire gauge	22AWG	22AWG	22AWG	24AWG	24AWG
	Cross section	0.34mm <sup>2</sup>	0.34mm <sup>2</sup>	0.34mm <sup>2</sup>	0.25mm <sup>2</sup>	0.25mm <sup>2</sup>
	Wiring list	1.BN 3.BU 4.BK	1.BN 2.WH 3.BU 4.BK	1.BN 2.WH 3.BU 4.BK 5.GY	1.WH 2.BN 3.GN 4.YE 5.GY 6.PK 7.BU 8.RD	1.WH 2.BN 3.GN 4.YE 5.GY 6.PK 7.BU 8.RD
Description	Order NO .	Order NO .	Order NO .	Order NO .	Order NO .	Order NO .
PVC	1m	PMSH-M12A-03P-MM-SR8A01-00AH	PMSH-M12A-04P-MM-SR8A01-00AH	PMSH-M12A-05P-MM-SR8A01-00AH	PMSH-M12A-06P-MM-SR8A01-00AH	PMSH-M12A-08P-MM-SR8A01-00AH
	3m	PMSH-M12A-03P-MM-SR8A03-00AH	PMSH-M12A-04P-MM-SR8A03-00AH	PMSH-M12A-05P-MM-SR8A03-00AH	PMSH-M12A-06P-MM-SR8A03-00AH	PMSH-M12A-08P-MM-SR8A03-00AH
	5m	PMSH-M12A-03P-MM-SR8A05-00AH	PMSH-M12A-04P-MM-SR8A05-00AH	PMSH-M12A-05P-MM-SR8A05-00AH	PMSH-M12A-06P-MM-SR8A05-00AH	PMSH-M12A-08P-MM-SR8A05-00AH
	Customized	.....	.....	.....	.....	.....
PUR	1m	PMSH-M12A-03P-MM-SR8B01-00AH	PMSH-M12A-04P-MM-SR8B01-00AH	PMSH-M12A-05P-MM-SR8B01-00AH	PMSH-M12A-06P-MM-SR8B01-00AH	PMSH-M12A-08P-MM-SR8B01-00AH
	3m	PMSH-M12A-03P-MM-SR8B03-00AH	PMSH-M12A-04P-MM-SR8B03-00AH	PMSH-M12A-05P-MM-SR8B03-00AH	PMSH-M12A-06P-MM-SR8B03-00AH	PMSH-M12A-08P-MM-SR8B03-00AH
	5m	PMSH-M12A-03P-MM-SR8B05-00AH	PMSH-M12A-04P-MM-SR8B05-00AH	PMSH-M12A-05P-MM-SR8B05-00AH	PMSH-M12A-06P-MM-SR8B05-00AH	PMSH-M12A-08P-MM-SR8B05-00AH
	Customized	.....	.....	.....	.....	.....
PVC	1m	PMSH-M12A-03P-MM-SR8C01-00AH	PMSH-M12A-04P-MM-SR8C01-00AH	PMSH-M12A-05P-MM-SR8C01-00AH	PMSH-M12A-06P-MM-SR8C01-00AH	PMSH-M12A-08P-MM-SR8C01-00AH
	3m	PMSH-M12A-03P-MM-SR8C03-00AH	PMSH-M12A-04P-MM-SR8C03-00AH	PMSH-M12A-05P-MM-SR8C03-00AH	PMSH-M12A-06P-MM-SR8C03-00AH	PMSH-M12A-08P-MM-SR8C03-00AH
	5m	PMSH-M12A-03P-MM-SR8C05-00AH	PMSH-M12A-04P-MM-SR8C05-00AH	PMSH-M12A-05P-MM-SR8C05-00AH	PMSH-M12A-06P-MM-SR8C05-00AH	PMSH-M12A-08P-MM-SR8C05-00AH
	Customized	.....	.....	.....	.....	.....
PUR	1m	PMSH-M12A-03P-MM-SR8D01-00AH	PMSH-M12A-04P-MM-SR8D01-00AH	PMSH-M12A-05P-MM-SR8D01-00AH	PMSH-M12A-06P-MM-SR8D01-00AH	PMSH-M12A-08P-MM-SR8D01-00AH
	3m	PMSH-M12A-03P-MM-SR8D03-00AH	PMSH-M12A-04P-MM-SR8D03-00AH	PMSH-M12A-05P-MM-SR8D03-00AH	PMSH-M12A-06P-MM-SR8D03-00AH	PMSH-M12A-08P-MM-SR8D03-00AH
	5m	PMSH-M12A-03P-MM-SR8D05-00AH	PMSH-M12A-04P-MM-SR8D05-00AH	PMSH-M12A-05P-MM-SR8D05-00AH	PMSH-M12A-06P-MM-SR8D05-00AH	PMSH-M12A-08P-MM-SR8D05-00AH
	Customized	.....	.....	.....	.....	.....

M12 x 1 Male, Overmolded with Cable Plug, Single end, Shielded, Angled.


**Technical Data**

Standard	IEC 61076	Contact carriers material	PA
Series	M12, Male, Angled	Contact material	Copper Alloy, Gold-plated
Number of Pins	03, 04, 05, 06, 08, 10, 12, 17 Pin	Metal of nut	Zinc Alloy with Nickel Plated
Rated Current	4A max.	Seal	Silicone
Rated voltage	250V max.	Cable jacket material	PUR / PVC
Insulation resistance	≥ 100MΩ	Shielding	Shielded
Contact resistance	≤ 5mΩ	Mechanical life	> 100 mating cycles
Ambient temperature	- 25 ~ + 80°C	—	—
IP Class	IP68	—	—

Number of Pins		10 Pin	12 Pin	17 Pin	05 Pin	04 Pin
Coding	Coded	A-Coded	A-Coded	A-Coded	B-Coded	D-Coded
	Front View					
Rated current	A.	1.5A	1.5A	1.5A	4A	4A
Rated voltage	V.	30V	30V	30V	60V	250V
Wire/Cable	Wire gauge	26AWG	26AWG	26AWG	22AWG	22AWG
	Cross section	0.14mm <sup>2</sup>	0.14mm <sup>2</sup>	0.14mm <sup>2</sup>	0.34mm <sup>2</sup>	0.34mm <sup>2</sup>
	Wiring list	1.BN 2.BU 3.WH 4.GN 5.PK 6.YW 7.BK 8.GY 9.RD 10.VT	1.BN 2.BU 3.WH 4.GN 5.PK 6.YW 7.BK 8.GY 9.RD 10.VT 11.GY/PK 12.RD/BU	1.BN 2.BU 3.WH 4.GN 5.PK 6.YW 7.BK 8.GY 9.RD 10.VT 11.GY/PK 12.RD/BU 13.WH/GN 14.BN/GN 15.WH/YW 16.YW/BN 17.WH/GY	1.BN 2.WH 3.BU 4.BK 5.GY	1.YW 2.WH 3.0G 4.BU
Description	Order NO .	Order NO .	Order NO .	Order NO .	Order NO .	Order NO .
PVC	1m	PMSH-M12A-10P-MM-SR8A01-00AH	PMSH-M12A-12P-MM-SR8A01-00AH	PMSH-M12A-17P-MM-SR8A01-00AH	PMSH-M12B-05P-MM-SR8A01-00AH	PMSH-M12D-04P-MM-SR8A01-00AH
	3m	PMSH-M12A-10P-MM-SR8A03-00AH	PMSH-M12A-12P-MM-SR8A03-00AH	PMSH-M12A-17P-MM-SR8A03-00AH	PMSH-M12B-05P-MM-SR8A03-00AH	PMSH-M12D-04P-MM-SR8A03-00AH
	5m	PMSH-M12A-10P-MM-SR8A05-00AH	PMSH-M12A-12P-MM-SR8A05-00AH	PMSH-M12A-17P-MM-SR8A05-00AH	PMSH-M12B-05P-MM-SR8A05-00AH	PMSH-M12D-04P-MM-SR8A05-00AH
	Customized	.....	.....	.....	.....	.....
PUR	1m	PMSH-M12A-10P-MM-SR8B01-00AH	PMSH-M12A-12P-MM-SR8B01-00AH	PMSH-M12A-17P-MM-SR8B01-00AH	PMSH-M12B-05P-MM-SR8B01-00AH	PMSH-M12D-04P-MM-SR8B01-00AH
	3m	PMSH-M12A-10P-MM-SR8B03-00AH	PMSH-M12A-12P-MM-SR8B03-00AH	PMSH-M12A-17P-MM-SR8B03-00AH	PMSH-M12B-05P-MM-SR8B03-00AH	PMSH-M12D-04P-MM-SR8B03-00AH
	5m	PMSH-M12A-10P-MM-SR8B05-00AH	PMSH-M12A-12P-MM-SR8B05-00AH	PMSH-M12A-17P-MM-SR8B05-00AH	PMSH-M12B-05P-MM-SR8B05-00AH	PMSH-M12D-04P-MM-SR8B05-00AH
	Customized	.....	.....	.....	.....	.....
PVC	1m	PMSH-M12A-10P-MM-SR8C01-00AH	PMSH-M12A-12P-MM-SR8C01-00AH	PMSH-M12A-17P-MM-SR8C01-00AH	PMSH-M12B-05P-MM-SR8C01-00AH	PMSH-M12D-04P-MM-SR8C01-00AH
	3m	PMSH-M12A-10P-MM-SR8C03-00AH	PMSH-M12A-12P-MM-SR8C03-00AH	PMSH-M12A-17P-MM-SR8C03-00AH	PMSH-M12B-05P-MM-SR8C03-00AH	PMSH-M12D-04P-MM-SR8C03-00AH
	5m	PMSH-M12A-10P-MM-SR8C05-00AH	PMSH-M12A-12P-MM-SR8C05-00AH	PMSH-M12A-17P-MM-SR8C05-00AH	PMSH-M12B-05P-MM-SR8C05-00AH	PMSH-M12D-04P-MM-SR8C05-00AH
	Customized	.....	.....	.....	.....	.....
PUR	1m	PMSH-M12A-10P-MM-SR8D01-00AH	PMSH-M12A-12P-MM-SR8D01-00AH	PMSH-M12A-17P-MM-SR8D01-00AH	PMSH-M12B-05P-MM-SR8D01-00AH	PMSH-M12D-04P-MM-SR8D01-00AH
	3m	PMSH-M12A-10P-MM-SR8D03-00AH	PMSH-M12A-12P-MM-SR8D03-00AH	PMSH-M12A-17P-MM-SR8D03-00AH	PMSH-M12B-05P-MM-SR8D03-00AH	PMSH-M12D-04P-MM-SR8D03-00AH
	5m	PMSH-M12A-10P-MM-SR8D05-00AH	PMSH-M12A-12P-MM-SR8D05-00AH	PMSH-M12A-17P-MM-SR8D05-00AH	PMSH-M12B-05P-MM-SR8D05-00AH	PMSH-M12D-04P-MM-SR8D05-00AH
	Customized	.....	.....	.....	.....	.....

M12 x 1 Female Overmolded with Cable Plug, Single end, Unshielded, Straight.



Technical Data

Standard	IEC 61076	Contact carriers material	PU / PA
Series	M12, Female, Straight	Contact material	Copper Alloy, Gold-plated
Number of Pins	03,04,05,06,08,10,12,17Pin	Metal of nut	Zinc Alloy with Nickel Plated
Rated Current	4A max.	Plastic of nut	PA
Rated voltage	250V max.	Seal	Silicone
Insulation resistance	≥100MΩ	Cable jacket material	PUR / PVC
Contact resistance	≤5mΩ	Shielding	Unshielded
Ambient temperature	- 25 ~ + 80°C	Mechanical life	> 100 mating cycles
IP Class	IP68	—	—

Number of Pins		03 Pin	04 Pin	05 Pin	06 Pin	08 Pin	
Coding	Coded	A-Coded	A-Coded	A-Coded	A-Coded	A-Coded	
	Front View						
Rated current	A.	4A	4A	4A	2A	2A	
Rated voltage	V.	250V	250V	60V	30V	30V	
Wire/Cable	Wire gauge	22AWG	22AWG	22AWG	24AWG	24AWG	
	Cross section	0.34mm <sup>2</sup>	0.34mm <sup>2</sup>	0.34mm <sup>2</sup>	0.25mm <sup>2</sup>	0.25mm <sup>2</sup>	
	Wiring list	1.BN 3.BU 4.BK	1.BN 2.WH 3.BU 4.BK	1.BN 2.WH 3.BU 4.BK 5.GY	1.WH 2.BN 3.GN 4.YE 5.GY 6.PK 7.BU	1.WH 2.BN 3.GN 4.YE 5.GY 6.PK 7.BU 8.RD	
Description		Order NO .	Order NO .	Order NO .	Order NO .	Order NO .	
PVC	Metal of nut	1m	PM-M12A-03P-FF-SL8A01-00AH	PM-M12A-04P-FF-SL8A01-00AH	PM-M12A-05P-FF-SL8A01-00AH	PM-M12A-06P-FF-SL8A01-00AH	PM-M12A-08P-FF-SL8A01-00AH
		Customized	.....	.....	.....	.....	.....
	Plastic of nut	1m	PP-M12A-03P-FF-SL8C01-00AH	PP-M12A-04P-FF-SL8C01-00AH	PP-M12A-05P-FF-SL8C01-00AH	PP-M12A-06P-FF-SL8C01-00AH	PP-M12A-08P-FF-SL8C01-00AH
		Customized	.....	.....	.....	.....	.....
PUR	Metal of nut	1m	PM-M12A-03P-FF-SL8B01-00AH	PM-M12A-04P-FF-SL8B01-00AH	PM-M12A-05P-FF-SL8B01-00AH	PM-M12A-06P-FF-SL8B01-00AH	PM-M12A-08P-FF-SL8B01-00AH
		Customized	.....	.....	.....	.....	.....
	Plastic of nut	1m	PP-M12A-03P-FF-SL8D01-00AH	PP-M12A-04P-FF-SL8D01-00AH	PP-M12A-05P-FF-SL8D01-00AH	PP-M12A-06P-FF-SL8D01-00AH	PP-M12A-08P-FF-SL8D01-00AH
		Customized	.....	.....	.....	.....	.....
PVC	PVC	1m	PM-M12A-03P-FF-SL8C01-00AH	PM-M12A-04P-FF-SL8C01-00AH	PM-M12A-05P-FF-SL8C01-00AH	PM-M12A-06P-FF-SL8C01-00AH	PM-M12A-08P-FF-SL8C01-00AH
		3m	PM-M12A-03P-FF-SL8C03-00AH	PM-M12A-04P-FF-SL8C03-00AH	PM-M12A-05P-FF-SL8C03-00AH	PM-M12A-06P-FF-SL8C03-00AH	PM-M12A-08P-FF-SL8C03-00AH
		5m	PM-M12A-03P-FF-SL8C05-00AH	PM-M12A-04P-FF-SL8C05-00AH	PM-M12A-05P-FF-SL8C05-00AH	PM-M12A-06P-FF-SL8C05-00AH	PM-M12A-08P-FF-SL8C05-00AH
		Customized	.....	.....	.....	.....	.....
PUR	PUR	1m	PM-M12A-03P-FF-SL8D01-00AH	PM-M12A-04P-FF-SL8D01-00AH	PM-M12A-05P-FF-SL8D01-00AH	PM-M12A-06P-FF-SL8D01-00AH	PM-M12A-08P-FF-SL8D01-00AH
		3m	PM-M12A-03P-FF-SL8D03-00AH	PM-M12A-04P-FF-SL8D03-00AH	PM-M12A-05P-FF-SL8D03-00AH	PM-M12A-06P-FF-SL8D03-00AH	PM-M12A-08P-FF-SL8D03-00AH
		5m	PM-M12A-03P-FF-SL8D05-00AH	PM-M12A-04P-FF-SL8D05-00AH	PM-M12A-05P-FF-SL8D05-00AH	PM-M12A-06P-FF-SL8D05-00AH	PM-M12A-08P-FF-SL8D05-00AH
		Customized	.....	.....	.....	.....	.....

M12 x 1 Female Overmolded with Cable Plug, Single end, Unshielded, Straight.

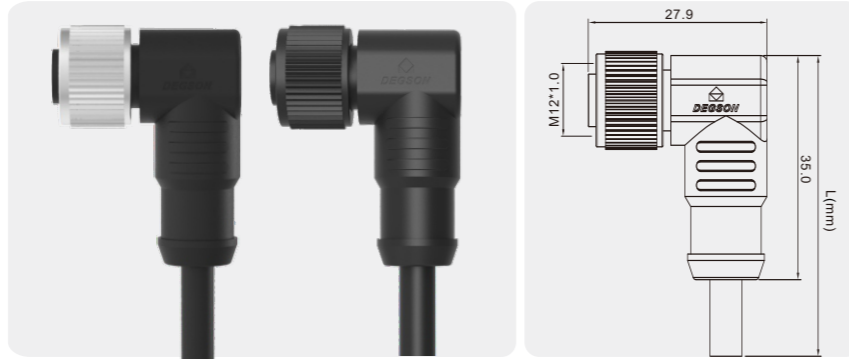


Technical Data

Standard	IEC 61076	Contact carriers material	PU / PA
Series	M12, Female, Straight	Contact material	Copper Alloy, Gold-plated
Number of Pins	03,04,05,06,08,10,12,17Pin	Metal of nut	Zinc Alloy with Nickel Plated
Rated Current	4A max.	Plastic of nut	PA
Rated voltage	250V max.	Seal	Silicone
Insulation resistance	≥100MΩ	Cable jacket material	PUR / PVC
Contact resistance	≤5mΩ	Shielding	Unshielded
Ambient temperature	- 25 ~ + 80°C	Mechanical life	> 100 mating cycles
IP Class	IP68	—	—

Number of Pins		10 Pin	12 Pin	17 Pin	05 Pin	04 Pin
Coding	Coded	A-Coded	A-Coded	A-Coded	B-Coded	D-Coded
	Front View					
Rated current	A.	1.5A	1.5A	1.5A	4A	4A
Rated voltage	V.	30V	30V	30V	60V	250V
Wire/Cable	Wire gauge	26AWG	26AWG	26AWG	22AWG	22AWG
	Cross section	0.14mm <sup>2</sup>	0.14mm <sup>2</sup>	0.14mm <sup>2</sup>	0.34mm <sup>2</sup>	0.34mm <sup>2</sup>
	Wiring list	1.BN 2.BU 3.WH 4.GN 5.PK 6.YW 7.BK 8.GY 9.RD 10.VT	1.BN 2.BU 3.WH 4.GN 5.PK 6.YW 7.BK 8.GY 9.RD 10.VT 11.GY/PK 12.RD/BU	1.BN 2.BU 3.WH 4.GN 5.PK 6.YW 7.BK 8.GY 9.RD 10.VT 11.GY/PK 12.RD/BU 13.WH/GN 14.BN/GN 15.WH/YW 16.YW/BN 17.WH/GY	1.BN 2.WH 3.BU 3.BU 4.BK 5.GY	1.BN 2.WH 3.BU 4.BK
Description		Order NO .	Order NO .	Order NO .	Order NO .	Order NO .
PVC	Metal of nut	1m	PM-M12A-10P-FF-SL8A01-00AH	PM-M12A-12P-FF-SL8A01-00AH	PM-M12A-17P-FF-SL8A01-00AH	PM-M12D-04P-FF-SL8A01-00AH
		Customized	.....	.....	.....	.....
	Plastic of nut	1m	PP-M12A-10P-FF-SL8C01-00AH	PP-M12A-12P-FF-SL8C01-00AH	PP-M12A-17P-FF-SL8C01-00AH	PP-M12D-04P-FF-SL8C01-00AH
		Customized	.....	.....	.....	.....
PUR	Metal of nut	1m	PM-M12A-10P-FF-SL8B01-00AH	PM-M12A-12P-FF-SL8B01-00AH	PM-M12A-17P-FF-SL8B01-00AH	PM-M12D-04P-FF-SL8B01-00AH
		Customized	.....	.....	.....	.....
	Plastic of nut	1m	PP-M12A-10P-FF-SL8D01-00AH	PP-M12A-12P-FF-SL8D01-00AH	PP-M12A-17P-FF-SL8D01-00AH	PP-M12D-04P-FF-SL8D01-00AH
		Customized	.....	.....	.....	.....
PVC	PVC	1m	PM-M12A-10P-FF-SL8C01-00AH	PM-M12A-12P-FF-SL8C01-00AH	PM-M12A-17P-FF-SL8C01-00AH	PM-M12D-04P-FF-SL8C01-00AH
		3m	PM-M12A-10P-FF-SL8C03-00AH	PM-M12A-12P-FF-SL8C03-00AH	PM-M12A-17P-FF-SL8C03-00AH	PM-M12D-04P-FF-SL8C03-00AH
		5m	PM-M12A-10P-FF-SL8C05-00AH	PM-M12A-12P-FF-SL8C05-00AH	PM-M12A-17P-FF-SL8C05-00AH	PM-M12D-04P-FF-SL8C05-00AH
		Customized	.....	.....	.....	.....
PUR	PUR	1m	PM-M12A-10P-FF-SL8D01-00AH	PM-M12A-12P-FF-SL8D01-00AH	PM-M12A-17P-FF-SL8D01-00AH	PM-M12D-04P-FF-SL8D01-00AH
		3m	PM-M12A-10P-FF-SL8D03-00AH	PM-M12A-12P-FF-SL8D03-00AH	PM-M12A-17P-FF-SL8D03-00AH	PM-M12D-04P-FF-SL8D03-00AH
		5m	PM-M12A-10P-FF-SL8D05-00AH	PM-M12A-12P-FF-SL8D05-00AH	PM-M12A-17P-FF-SL8D05-00AH	PM-M12D-04P-FF-SL8D05-00AH
		Customized	.....	.....	.....	.....

M12 x 1 Female Overmolded with Cable Plug, Single end, Unshielded, Angled.

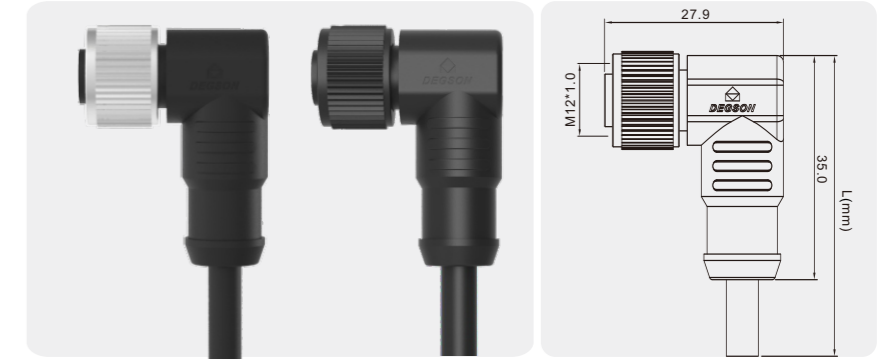


Technical Data

Standard	IEC 61076	Contact carriers material	PU / PA
Series	M12, Female, Angled	Contact material	Copper Alloy, Gold-plated
Number of Pins	03,04,05,06,08,10,12,17Pin	Metal of nut	Zinc Alloy with Nickel Plated
Rated Current	4A max.	Plastic of nut	PA
Rated voltage	250V max.	Seal	Silicone
Insulation resistance	≥100MΩ	Cable jacket material	PUR / PVC
Contact resistance	≤5mΩ	Shielding	Unshielded
Ambient temperature	- 25 ~ + 80°C	Mechanical life	> 100 mating cycles
IP Class	IP68	—	—

Number of Pins		03 Pin	04 Pin	05 Pin	06 Pin	08 Pin	
Coding	Coded	A-Coded	A-Coded	A-Coded	A-Coded	A-Coded	
	Front View						
Rated current	A.	4A	4A	4A	2A	2A	
Rated voltage	V.	250V	250V	60V	30V	30V	
Wire/Cable	Wire gauge	22AWG	22AWG	22AWG	24AWG	24AWG	
	Cross section	0.34mm <sup>2</sup>	0.34mm <sup>2</sup>	0.34mm <sup>2</sup>	0.25mm <sup>2</sup>	0.25mm <sup>2</sup>	
	Wiring list	1.BN 3.BU 4.BK	1.BN 2.WH 3.BU 4.BK	1.BN 2.WH 3.BU 4.BK 5.GY	1.WH 2.BN 3.GN 4.YE 5.GY 6.PK 7.BU 8.RD	1.WH 2.BN 3.GN 4.YE 5.GY 6.PK 7.BU 8.RD	
Description		Order NO .	Order NO .	Order NO .	Order NO .	Order NO .	
PVC	Metal of nut	1m	PP-M12A-03P-FF-SR8A01-00AH	PP-M12A-04P-FF-SR8A01-00AH	PP-M12A-05P-FF-SR8A01-00AH	PP-M12A-06P-FF-SR8A01-00AH	PP-M12A-08P-FF-SR8A01-00AH
		Customized	.....	.....	.....	.....	.....
	Plastic of nut	1m	PP-M12A-03P-FF-SR8C01-00AH	PP-M12A-04P-FF-SR8C01-00AH	PP-M12A-05P-FF-SR8C01-00AH	PP-M12A-06P-FF-SR8C01-00AH	PP-M12A-08P-FF-SR8C01-00AH
		Customized	.....	.....	.....	.....	.....
PUR	Metal of nut	1m	PP-M12A-03P-FF-SR8B01-00AH	PP-M12A-04P-FF-SR8B01-00AH	PP-M12A-05P-FF-SR8B01-00AH	PP-M12A-06P-FF-SR8B01-00AH	PP-M12A-08P-FF-SR8B01-00AH
		Customized	.....	.....	.....	.....	.....
	Plastic of nut	1m	PP-M12A-03P-FF-SR8D01-00AH	PP-M12A-04P-FF-SR8D01-00AH	PP-M12A-05P-FF-SR8D01-00AH	PP-M12A-06P-FF-SR8D01-00AH	PP-M12A-08P-FF-SR8D01-00AH
		Customized	.....	.....	.....	.....	.....
PVC	PVC	1m	PP-M12A-03P-FF-SR8C01-00AH	PP-M12A-04P-FF-SR8C03-00AH	PP-M12A-05P-FF-SR8C03-00AH	PP-M12A-06P-FF-SR8C03-00AH	PP-M12A-08P-FF-SR8C03-00AH
		3m	PP-M12A-03P-FF-SR8C03-00AH	PP-M12A-04P-FF-SR8C03-00AH	PP-M12A-05P-FF-SR8C03-00AH	PP-M12A-06P-FF-SR8C03-00AH	PP-M12A-08P-FF-SR8C03-00AH
		5m	PP-M12A-03P-FF-SR8C05-00AH	PP-M12A-04P-FF-SR8C05-00AH	PP-M12A-05P-FF-SR8C05-00AH	PP-M12A-06P-FF-SR8C05-00AH	PP-M12A-08P-FF-SR8C05-00AH
		Customized	.....	.....	.....	.....	.....
PUR	PUR	1m	PP-M12A-03P-FF-SR8D01-00AH	PP-M12A-04P-FF-SR8D01-00AH	PP-M12A-05P-FF-SR8D01-00AH	PP-M12A-06P-FF-SR8D01-00AH	PP-M12A-08P-FF-SR8D01-00AH
		3m	PP-M12A-03P-FF-SR8D03-00AH	PP-M12A-04P-FF-SR8D03-00AH	PP-M12A-05P-FF-SR8D03-00AH	PP-M12A-06P-FF-SR8D03-00AH	PP-M12A-08P-FF-SR8D03-00AH
		5m	PP-M12A-03P-FF-SR8D05-00AH	PP-M12A-04P-FF-SR8D05-00AH	PP-M12A-05P-FF-SR8D05-00AH	PP-M12A-06P-FF-SR8D05-00AH	PP-M12A-08P-FF-SR8D05-00AH
		Customized	.....	.....	.....	.....	.....

M12 x 1 Female Overmolded with Cable Plug, Single end, Unshielded, Angled.

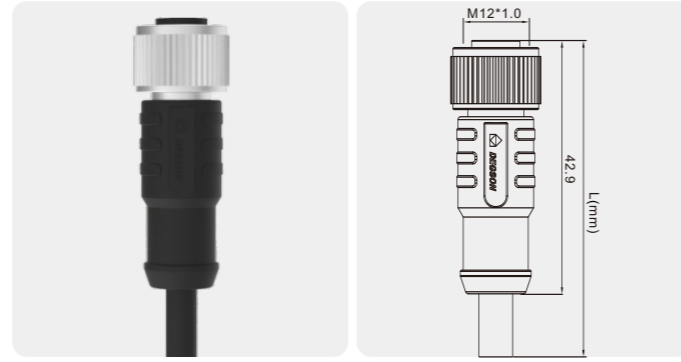


Technical Data

Standard	IEC 61076	Contact carriers material	PU / PA
Series	M12, Female, Angled	Contact material	Copper Alloy, Gold-plated
Number of Pins	03,04,05,06,08,10,12,17Pin	Metal of nut	Zinc Alloy with Nickel Plated
Rated Current	4A max.	Plastic of nut	PA
Rated voltage	250V max.	Seal	Silicone
Insulation resistance	≥100MΩ	Cable jacket material	PUR / PVC
Contact resistance	≤5mΩ	Shielding	Unshielded
Ambient temperature	- 25 ~ + 80°C	Mechanical life	> 100 mating cycles
IP Class	IP68	—	—

Number of Pins		10 Pin	12 Pin	17 Pin	05 Pin	04 Pin	
Coding	Coded	A-Coded	A-Coded	A-Coded	B-Coded	D-Coded	
	Front View						
Rated current	A.	1.5A	1.5A	1.5A	4A	4A	
Rated voltage	V.	30V	30V	30V	60V	250V	
Wire/Cable	Wire gauge	26AWG	26AWG	26AWG	22AWG	22AWG	
	Cross section	0.14mm <sup>2</sup>	0.14mm <sup>2</sup>	0.14mm <sup>2</sup>	0.34mm <sup>2</sup>	0.34mm <sup>2</sup>	
	Wiring list	1.BN 3.WH 5.PK 7.BK 9.RD	2.BU 4.GN 6.YW 8.GY 10.VT	1.BN 2.BU 3.WH 4.GN 5.PK 6.YW 7.BK 8.GY 9.RD 11.GY/PK 12.RD/BU	1.BN 2.BU 3.WH 4.GN 5.PK 6.YW 7.BK 8.GY 9.RD 10.VT 11.GY/PK 12.RD/BU 13.WH/GN 14.BN/GN 15.WH/YW 16.YW/BN 17.WH/GY	1.BN 2.WH 3.BU 4.BK 5.GY	1.BN 2.WH 3.BU 4.BK
Description		Order NO .	Order NO .	Order NO .	Order NO .	Order NO .	
PVC	Metal of nut	1m	PP-M12A-10P-FF-SR8A01-00AH	PP-M12A-12P-FF-SR8A01-00AH	PP-M12A-17P-FF-SR8A01-00AH	PP-M12B-05P-FF-SR8A01-00AH	PP-M12D-04P-FF-SR8A01-00AH
		Customized	.....	.....	.....	.....	.....
	Plastic of nut	1m	PP-M12A-10P-FF-SR8C01-00AH	PP-M12A-12P-FF-SR8C01-00AH	PP-M12A-17P-FF-SR8C01-00AH	PP-M12B-05P-FF-SR8C01-00AH	PP-M12D-04P-FF-SR8C01-00AH
		Customized	.....	.....	.....	.....	.....
PUR	Metal of nut	1m	PP-M12A-10P-FF-SR8B01-00AH	PP-M12A-12P-FF-SR8B01-00AH	PP-M12A-17P-FF-SR8B01-00AH	PP-M12B-05P-FF-SR8B01-00AH	PP-M12D-04P-FF-SR8B01-00AH
		Customized	.....	.....	.....	.....	.....
	Plastic of nut	1m	PP-M12A-10P-FF-SR8D01-00AH	PP-M12A-12P-FF-SR8D01-00AH	PP-M12A-17P-FF-SR8D01-00AH	PP-M12B-05P-FF-SR8D01-00AH	PP-M12D-04P-FF-SR8D01-00AH
		Customized	.....	.....	.....	.....	.....
PVC	PVC	1m	PP-M12A-10P-FF-SR8C01-00AH	PP-M12A-12P-FF-SR8C01-00AH	PP-M12A-17P-FF-SR8C01-00AH	PP-M12B-05P-FF-SR8C01-00AH	PP-M12D-04P-FF-SR8C01-00AH
		3m	PP-M12A-10P-FF-SR8C03-00AH	PP-M12A-12P-FF-SR8C03-00AH	PP-M12A-17P-FF-SR8C03-00AH	PP-M12B-05P-FF-SR8C03-00AH	PP-M12D-04P-FF-SR8C03-00AH
		5m	PP-M12A-10P-FF-SR8C05-00AH	PP-M12A-12P-FF-SR8C05-00AH	PP-M12A-17P-FF-SR8C05-00AH	PP-M12B-05P-FF-SR8C05-00AH	PP-M12D-04P-FF-SR8C05-00AH
		Customized	.....	.....	.....	.....	.....
PUR	PUR	1m	PP-M12A-10P-FF-SR8D01-00AH	PP-M12A-12P-FF-SR8D01-00AH	PP-M12A-17P-FF-SR8D01-00AH	PP-M12B-05P-FF-SR8D01-00AH	PP-M12D-04P-FF-SR8D01-00AH
		3m	PP-M12A-10P-FF-SR8D03-00AH	PP-M12A-12P-FF-SR8D03-00AH	PP-M12A-17P-FF-SR8D03-00AH	PP-M12B-05P-FF-SR8D03-00AH	PP-M12D-04P-FF-SR8D03-00AH
		5m	PP-M12A-10P-FF-SR8D05-00AH	PP-M12A-12P-FF-SR8D05-00AH	PP-M12A-17P-FF-SR8D05-00AH	PP-M12B-05P-FF-SR8D05-00AH	PP-M12D-04P-FF-SR8D05-00AH
		Customized	.....	.....	.....	.....	.....

M12 x 1 Female Overmolded with Cable Plug, Single end, Shielded, Straight.

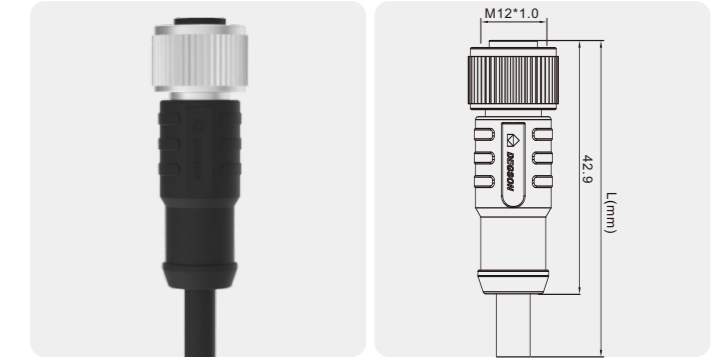


#### Technical Data

Standard	IEC 61076	Contact carriers material	PA
Series	M12, Female, Straight	Contact material	Copper Alloy, Gold-plated
Number of Pins	03,04,05,06,08,10,12,17Pin	Metal of nut	Zinc Alloy with Nickel Plated
Rated Current	4A max.	Seal	Silicone
Rated voltage	250V max.	Cable jacket material	PUR / PVC
Insulation resistance	≥100MΩ	Shielding	Shielded
Contact resistance	≤5mΩ	Mechanical life	> 100 mating cycles
Ambient temperature	- 25 ~ + 80°C	—	—
IP Class	IP68	—	—

Number of Pins		03 Pin	04 Pin	05 Pin	06 Pin	08 Pin
Coding	Coded	A-Coded	A-Coded	A-Coded	A-Coded	A-Coded
	Front View					
Rated current	A.	4A	4A	4A	2A	2A
Rated voltage	V.	250V	250V	60V	30V	30V
Wire/Cable	Wire gauge	22AWG	22AWG	22AWG	24AWG	24AWG
	Cross section	0.34mm <sup>2</sup>	0.34mm <sup>2</sup>	0.34mm <sup>2</sup>	0.25mm <sup>2</sup>	0.25mm <sup>2</sup>
	Wiring list	1.BN 3.BU 4.BK	1.BN 2.WH 3.BU 4.BK	1.BN 2.WH 3.BU 4.BK 5.GY	1.WH 2.BN 3.GN 4.YE 5.GY 6.PK 7.BU 8.RD	1.WH 2.BN 3.GN 4.YE 5.GY 6.PK 7.BU 8.RD
Description	Order NO .	Order NO .	Order NO .	Order NO .	Order NO .	Order NO .
PVC	1m	PMSH-M12A-03P-FF-SL8A01-00AH	PMSH-M12A-04P-FF-SL8A01-00AH	PMSH-M12A-05P-FF-SL8A01-00AH	PMSH-M12A-06P-FF-SL8A01-00AH	PMSH-M12A-08P-FF-SL8A01-00AH
	3m	PMSH-M12A-03P-FF-SL8A03-00AH	PMSH-M12A-04P-FF-SL8A03-00AH	PMSH-M12A-05P-FF-SL8A03-00AH	PMSH-M12A-06P-FF-SL8A03-00AH	PMSH-M12A-08P-FF-SL8A03-00AH
	5m	PMSH-M12A-03P-FF-SL8A05-00AH	PMSH-M12A-04P-FF-SL8A05-00AH	PMSH-M12A-05P-FF-SL8A05-00AH	PMSH-M12A-06P-FF-SL8A05-00AH	PMSH-M12A-08P-FF-SL8A05-00AH
	Customized	.....	.....	.....	.....	.....
PUR	1m	PMSH-M12A-03P-FF-SL8B01-00AH	PMSH-M12A-04P-FF-SL8B01-00AH	PMSH-M12A-05P-FF-SL8B01-00AH	PMSH-M12A-06P-FF-SL8B01-00AH	PMSH-M12A-08P-FF-SL8B01-00AH
	3m	PMSH-M12A-03P-FF-SL8B03-00AH	PMSH-M12A-04P-FF-SL8B03-00AH	PMSH-M12A-05P-FF-SL8B03-00AH	PMSH-M12A-06P-FF-SL8B03-00AH	PMSH-M12A-08P-FF-SL8B03-00AH
	5m	PMSH-M12A-03P-FF-SL8B05-00AH	PMSH-M12A-04P-FF-SL8B05-00AH	PMSH-M12A-05P-FF-SL8B05-00AH	PMSH-M12A-06P-FF-SL8B05-00AH	PMSH-M12A-08P-FF-SL8B05-00AH
	Customized	.....	.....	.....	.....	.....
PVC	1m	PMSH-M12A-03P-FF-SL8C01-00AH	PMSH-M12A-04P-FF-SL8C01-00AH	PMSH-M12A-05P-FF-SL8C01-00AH	PMSH-M12A-06P-FF-SL8C01-00AH	PMSH-M12A-08P-FF-SL8C01-00AH
	3m	PMSH-M12A-03P-FF-SL8C03-00AH	PMSH-M12A-04P-FF-SL8C03-00AH	PMSH-M12A-05P-FF-SL8C03-00AH	PMSH-M12A-06P-FF-SL8C03-00AH	PMSH-M12A-08P-FF-SL8C03-00AH
	5m	PMSH-M12A-03P-FF-SL8C05-00AH	PMSH-M12A-04P-FF-SL8C05-00AH	PMSH-M12A-05P-FF-SL8C05-00AH	PMSH-M12A-06P-FF-SL8C05-00AH	PMSH-M12A-08P-FF-SL8C05-00AH
	Customized	.....	.....	.....	.....	.....
PUR	1m	PMSH-M12A-03P-FF-SL8D01-00AH	PMSH-M12A-04P-FF-SL8D01-00AH	PMSH-M12A-05P-FF-SL8D01-00AH	PMSH-M12A-06P-FF-SL8D01-00AH	PMSH-M12A-08P-FF-SL8D01-00AH
	3m	PMSH-M12A-03P-FF-SL8D03-00AH	PMSH-M12A-04P-FF-SL8D03-00AH	PMSH-M12A-05P-FF-SL8D03-00AH	PMSH-M12A-06P-FF-SL8D03-00AH	PMSH-M12A-08P-FF-SL8D03-00AH
	5m	PMSH-M12A-03P-FF-SL8D05-00AH	PMSH-M12A-04P-FF-SL8D05-00AH	PMSH-M12A-05P-FF-SL8D05-00AH	PMSH-M12A-06P-FF-SL8D05-00AH	PMSH-M12A-08P-FF-SL8D05-00AH
	Customized	.....	.....	.....	.....	.....

M12 x 1 Female Overmolded with Cable Plug, Single end, Shielded, Straight.

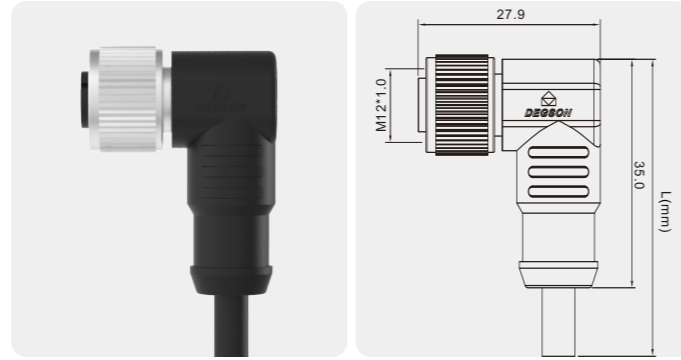


#### Technical Data

Standard	IEC 61076	Contact carriers material	PA
Series	M12, Female, Straight	Contact material	Copper Alloy, Gold-plated
Number of Pins	03,04,05,06,08,10,12,17Pin	Metal of nut	Zinc Alloy with Nickel Plated
Rated Current	4A max.	Seal	Silicone
Rated voltage	250V max.	Cable jacket material	PUR / PVC
Insulation resistance	≥100MΩ	Shielding	Shielded
Contact resistance	≤5mΩ	Mechanical life	> 100 mating cycles
Ambient temperature	- 25 ~ + 80°C	—	—
IP Class	IP68	—	—

Number of Pins		10 Pin	12 Pin	17 Pin	05 Pin	04 Pin
Coding	Coded	A-Coded	A-Coded	A-Coded	B-Coded	D-Coded
	Front View					
Rated current	A.	1.5A	1.5A	1.5A	4A	4A
Rated voltage	V.	30V	30V	30V	60V	250V
Wire/Cable	Wire gauge	26AWG	26AWG	26AWG	22AWG	22AWG
	Cross section	0.14mm <sup>2</sup>	0.14mm <sup>2</sup>	0.14mm <sup>2</sup>	0.34mm <sup>2</sup>	0.34mm <sup>2</sup>
	Wiring list	1.BN 3.WH 5.PK 7.BK 9.RD	2.BU 4.GN 6.YW 8.GY 10.VT	1.BN 2.BU 3.WH 4.GN 5.PK 6.YW 7.BK 8.GY 9.RD 10.VT 11.GY/PK 12.RD/BU	1.BN 2.WH 3.BU 4.BK 5.GY	1.YW 2.WH 3.OG 4.BU
Description	Order NO .	Order NO .	Order NO .	Order NO .	Order NO .	Order NO .
PVC	1m	PMSH-M12A-10P-FF-SL8A01-00AH	PMSH-M12A-12P-FF-SL8A01-00AH	PMSH-M12A-17P-FF-SL8A01-00AH	PMSH-M12B-05P-FF-SL8A01-00AH	PMSH-M12D-04P-FF-SL8A01-00AH
	3m	PMSH-M12A-10P-FF-SL8A03-00AH	PMSH-M12A-12P-FF-SL8A03-00AH	PMSH-M12A-17P-FF-SL8A03-00AH	PMSH-M12B-05P-FF-SL8A03-00AH	PMSH-M12D-04P-FF-SL8A03-00AH
	5m	PMSH-M12A-10P-FF-SL8A05-00AH	PMSH-M12A-12P-FF-SL8A05-00AH	PMSH-M12A-17P-FF-SL8A05-00AH	PMSH-M12B-05P-FF-SL8A05-00AH	PMSH-M12D-04P-FF-SL8A05-00AH
	Customized	.....	.....	.....	.....	.....
PUR	1m	PMSH-M12A-10P-FF-SL8B01-00AH	PMSH-M12A-12P-FF-SL8B01-00AH	PMSH-M12A-17P-FF-SL8B01-00AH	PMSH-M12B-05P-FF-SL8B01-00AH	PMSH-M12D-04P-FF-SL8B01-00AH
	3m	PMSH-M12A-10P-FF-SL8B03-00AH	PMSH-M12A-12P-FF-SL8B03-00AH	PMSH-M12A-17P-FF-SL8B03-00AH	PMSH-M12B-05P-FF-SL8B03-00AH	PMSH-M12D-04P-FF-SL8B03-00AH
	5m	PMSH-M12A-10P-FF-SL8B05-00AH	PMSH-M12A-12P-FF-SL8B05-00AH	PMSH-M12A-17P-FF-SL8B05-00AH	PMSH-M12B-05P-FF-SL8B05-00AH	PMSH-M12D-04P-FF-SL8B05-00AH
	Customized	.....	.....	.....	.....	.....
PVC	1m	PMSH-M12A-10P-FF-SL8C01-00AH	PMSH-M12A-12P-FF-SL8C01-00AH	PMSH-M12A-17P-FF-SL8C01-00AH	PMSH-M12B-05P-FF-SL8C01-00AH	PMSH-M12D-04P-FF-SL8C01-00AH
	3m	PMSH-M12A-10P-FF-SL8C03-00AH	PMSH-M12A-12P-FF-SL8C03-00AH	PMSH-M12A-17P-FF-SL8C03-00AH	PMSH-M12B-05P-FF-SL8C03-00AH	PMSH-M12D-04P-FF-SL8C03-00AH
	5m	PMSH-M12A-10P-FF-SL8C05-00AH	PMSH-M12A-12P-FF-SL8C05-00AH	PMSH-M12A-17P-FF-SL8C05-00AH	PMSH-M12B-05P-FF-SL8C05-00AH	PMSH-M12D-04P-FF-SL8C05-00AH
	Customized	.....	.....	.....	.....	.....
PUR	1m	PMSH-M12A-10P-FF-SL8D01-00AH	PMSH-M12A-12P-FF-SL8D01-00AH	PMSH-M12A-17P-FF-SL8D01-00AH	PMSH-M12B-05P-FF-SL8D01-00AH	PMSH-M12D-04P-FF-SL8D01-00AH
	3m	PMSH-M12A-10P-FF-SL8D03-00AH	PMSH-M12A-12P-FF-SL8D03-00AH	PMSH-M12A-17P-FF-SL8D03-00AH	PMSH-M12B-05P-FF-SL8D03-00AH	PMSH-M12D-04P-FF-SL8D03-00AH
	5m	PMSH-M12A-10P-FF-SL8D05-00AH	PMSH-M12A-12P-FF-SL8D05-00AH	PMSH-M12A-17P-FF-SL8D05-00AH	PMSH-M12B-05P-FF-SL8D05-00AH	PMSH-M12D-04P-FF-SL8D05-00AH
	Customized	.....	.....	.....	.....	.....

M12 x 1 Female Overmolded with Cable Plug, Single end, Shielded, Angled.

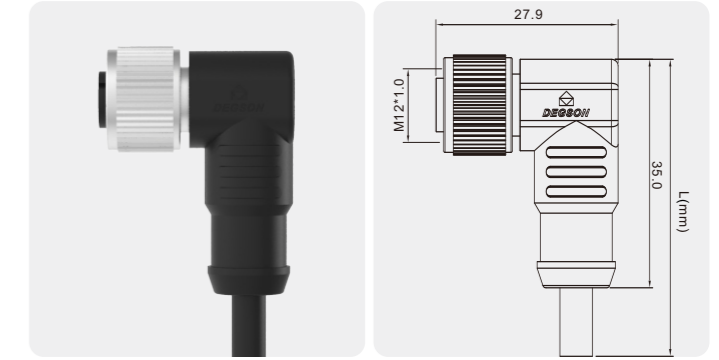


### Technical Data

Standard	IEC 61076	Contact carriers material	PA
Series	M12, Female, Angled	Contact material	Copper Alloy, Gold-plated
Number of Pins	03,04,05,06,08,10,12,17Pin	Metal of nut	Zinc Alloy with Nickel Plated
Rated Current	4A max.	Seal	Silicone
Rated voltage	250V max.	Cable jacket material	PUR / PVC
Insulation resistance	≥100MΩ	Shielding	Shielded
Contact resistance	≤5mΩ	Mechanical life	> 100 mating cycles
Ambient temperature	- 25 ~ + 80°C	—	—
IP Class	IP68	—	—

Number of Pins		03 Pin	04 Pin	05 Pin	06 Pin	08 Pin
Coding	Coded	A-Coded	A-Coded	A-Coded	A-Coded	A-Coded
	Front View					
Rated current	A.	4A	4A	4A	2A	2A
Rated voltage	V.	250V	250V	60V	30V	30V
Wire/Cable	Wire gauge	22AWG	22AWG	22AWG	24AWG	24AWG
	Cross section	0.34mm <sup>2</sup>	0.34mm <sup>2</sup>	0.34mm <sup>2</sup>	0.25mm <sup>2</sup>	0.25mm <sup>2</sup>
	Wiring list	1.BN 3.BU 4.BK	1.BN 2.WH 3.BU 4.BK	1.BN 2.WH 3.BU 4.BK 5.GY	1.WH 2.BN 3.GN 4.YE 5.GY 6.PK 7.BU 8.RD	1.WH 2.BN 3.GN 4.YE 5.GY 6.PK 7.BU 8.RD
Description		Order NO .	Order NO .	Order NO .	Order NO .	Order NO .
PVC	1m	PMSH-M12A-03P-FF-SR8A01-00AH	PMSH-M12A-04P-FF-SR8A01-00AH	PMSH-M12A-05P-FF-SR8A01-00AH	PMSH-M12A-06P-FF-SR8A01-00AH	PMSH-M12A-08P-FF-SR8A01-00AH
	3m	PMSH-M12A-03P-FF-SR8A03-00AH	PMSH-M12A-04P-FF-SR8A03-00AH	PMSH-M12A-05P-FF-SR8A03-00AH	PMSH-M12A-06P-FF-SR8A03-00AH	PMSH-M12A-08P-FF-SR8A03-00AH
	5m	PMSH-M12A-03P-FF-SR8A05-00AH	PMSH-M12A-04P-FF-SR8A05-00AH	PMSH-M12A-05P-FF-SR8A05-00AH	PMSH-M12A-06P-FF-SR8A05-00AH	PMSH-M12A-08P-FF-SR8A05-00AH
	Customized	.....	.....	.....	.....	.....
PUR	1m	PMSH-M12A-03P-FF-SR8B01-00AH	PMSH-M12A-04P-FF-SR8B01-00AH	PMSH-M12A-05P-FF-SR8B01-00AH	PMSH-M12A-06P-FF-SR8B01-00AH	PMSH-M12A-08P-FF-SR8B01-00AH
	3m	PMSH-M12A-03P-FF-SR8B03-00AH	PMSH-M12A-04P-FF-SR8B03-00AH	PMSH-M12A-05P-FF-SR8B03-00AH	PMSH-M12A-06P-FF-SR8B03-00AH	PMSH-M12A-08P-FF-SR8B03-00AH
	5m	PMSH-M12A-03P-FF-SR8B05-00AH	PMSH-M12A-04P-FF-SR8B05-00AH	PMSH-M12A-05P-FF-SR8B05-00AH	PMSH-M12A-06P-FF-SR8B05-00AH	PMSH-M12A-08P-FF-SR8B05-00AH
	Customized	.....	.....	.....	.....	.....
PVC	1m	PMSH-M12A-03P-FF-SR8C01-00AH	PMSH-M12A-04P-FF-SR8C01-00AH	PMSH-M12A-05P-FF-SR8C01-00AH	PMSH-M12A-06P-FF-SR8C01-00AH	PMSH-M12A-08P-FF-SR8C01-00AH
	3m	PMSH-M12A-03P-FF-SR8C03-00AH	PMSH-M12A-04P-FF-SR8C03-00AH	PMSH-M12A-05P-FF-SR8C03-00AH	PMSH-M12A-06P-FF-SR8C03-00AH	PMSH-M12A-08P-FF-SR8C03-00AH
	5m	PMSH-M12A-03P-FF-SR8C05-00AH	PMSH-M12A-04P-FF-SR8C05-00AH	PMSH-M12A-05P-FF-SR8C05-00AH	PMSH-M12A-06P-FF-SR8C05-00AH	PMSH-M12A-08P-FF-SR8C05-00AH
	Customized	.....	.....	.....	.....	.....
PUR	1m	PMSH-M12A-03P-FF-SR8D01-00AH	PMSH-M12A-04P-FF-SR8D01-00AH	PMSH-M12A-05P-FF-SR8D01-00AH	PMSH-M12A-06P-FF-SR8D01-00AH	PMSH-M12A-08P-FF-SR8D01-00AH
	3m	PMSH-M12A-03P-FF-SR8D03-00AH	PMSH-M12A-04P-FF-SR8D03-00AH	PMSH-M12A-05P-FF-SR8D03-00AH	PMSH-M12A-06P-FF-SR8D03-00AH	PMSH-M12A-08P-FF-SR8D03-00AH
	5m	PMSH-M12A-03P-FF-SR8D05-00AH	PMSH-M12A-04P-FF-SR8D05-00AH	PMSH-M12A-05P-FF-SR8D05-00AH	PMSH-M12A-06P-FF-SR8D05-00AH	PMSH-M12A-08P-FF-SR8D05-00AH
	Customized	.....	.....	.....	.....	.....

M12 x 1 Female Overmolded with Cable Plug, Single end, Shielded, Angled.

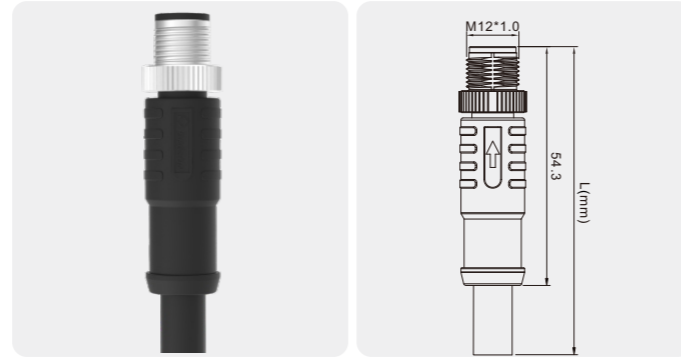


### Technical Data

Standard	IEC 61076	Contact carriers material	PA
Series	M12, Female, Angled	Contact material	Copper Alloy, Gold-plated
Number of Pins	03,04,05,06,08,10,12,17Pin	Metal of nut	Zinc Alloy with Nickel Plated
Rated Current	4A max.	Seal	Silicone
Rated voltage	250V max.	Cable jacket material	PUR / PVC
Insulation resistance	≥100MΩ	Shielding	Shielded
Contact resistance	≤5mΩ	Mechanical life	> 100 mating cycles
Ambient temperature	- 25 ~ + 80°C	—	—
IP Class	IP68	—	—

Number of Pins		10 Pin	12 Pin	17 Pin	05 Pin	04 Pin
Coding	Coded	A-Coded	A-Coded	A-Coded	B-Coded	D-Coded
	Front View					
Rated current	A.	1.5A	1.5A	1.5A	4A	4A
Rated voltage	V.	30V	30V	30V	60V	250V
Wire/Cable	Wire gauge	26AWG	26AWG	26AWG	22AWG	22AWG
	Cross section	0.14mm <sup>2</sup>	0.14mm <sup>2</sup>	0.14mm <sup>2</sup>	0.34mm <sup>2</sup>	0.34mm <sup>2</sup>
	Wiring list	1.BN 3.WH 5.PK 7.BK 9.RD	2.BU 4.GN 6.YW 8.GY 10.VT	1.BN 2.BU 3.WH 4.GN 5.PK 6.YW 7.BK 8.GY 9.RD 11.GY/PK 12.RD/BU	1.BN 2.WH 3.BU 4.BK 5.GY	1.YW 2.WH 3.OG 4.BU
Description		Order NO .	Order NO .	Order NO .	Order NO .	Order NO .
PVC	1m	PMSH-M12A-10P-FF-SR8A01-00AH	PMSH-M12A-12P-FF-SR8A01-00AH	PMSH-M12A-17P-FF-SR8A01-00AH	PMSH-M12B-05P-FF-SR8A01-00AH	PMSH-M12D-04P-FF-SR8A01-00AH
	3m	PMSH-M12A-10P-FF-SR8A03-00AH	PMSH-M12A-12P-FF-SR8A03-00AH	PMSH-M12A-17P-FF-SR8A03-00AH	PMSH-M12B-05P-FF-SR8A03-00AH	PMSH-M12D-04P-FF-SR8A03-00AH
	5m	PMSH-M12A-10P-FF-SR8A05-00AH	PMSH-M12A-12P-FF-SR8A05-00AH	PMSH-M12A-17P-FF-SR8A05-00AH	PMSH-M12B-05P-FF-SR8A05-00AH	PMSH-M12D-04P-FF-SR8A05-00AH
	Customized	.....	.....	.....	.....	.....
PUR	1m	PMSH-M12A-10P-FF-SR8B01-00AH	PMSH-M12A-12P-FF-SR8B01-00AH	PMSH-M12A-17P-FF-SR8B01-00AH	PMSH-M12B-05P-FF-SR8B01-00AH	PMSH-M12D-04P-FF-SR8B01-00AH
	3m	PMSH-M12A-10P-FF-SR8B03-00AH	PMSH-M12A-12P-FF-SR8B03-00AH	PMSH-M12A-17P-FF-SR8B03-00AH	PMSH-M12B-05P-FF-SR8B03-00AH	PMSH-M12D-04P-FF-SR8B03-00AH
	5m	PMSH-M12A-10P-FF-SR8B05-00AH	PMSH-M12A-12P-FF-SR8B05-00AH	PMSH-M12A-17P-FF-SR8B05-00AH	PMSH-M12B-05P-FF-SR8B05-00AH	PMSH-M12D-04P-FF-SR8B05-00AH
	Customized	.....	.....	.....	.....	.....
PVC	1m	PMSH-M12A-10P-FF-SR8C01-00AH	PMSH-M12A-12P-FF-SR8C01-00AH	PMSH-M12A-17P-FF-SR8C01-00AH	PMSH-M12B-05P-FF-SR8C01-00AH	PMSH-M12D-04P-FF-SR8C01-00AH
	3m	PMSH-M12A-10P-FF-SR8C03-00AH	PMSH-M12A-12P-FF-SR8C03-00AH	PMSH-M12A-17P-FF-SR8C03-00AH	PMSH-M12B-05P-FF-SR8C03-00AH	PMSH-M12D-04P-FF-SR8C03-00AH
	5m	PMSH-M12A-10P-FF-SR8C05-00AH	PMSH-M12A-12P-FF-SR8C05-00AH	PMSH-M12A-17P-FF-SR8C05-00AH	PMSH-M12B-05P-FF-SR8C05-00AH	PMSH-M12D-04P-FF-SR8C05-00AH
	Customized	.....	.....	.....	.....	.....
PUR	1m	PMSH-M12A-10P-FF-SR8D01-00AH	PMSH-M12A-12P-FF-SR8D01-00AH	PMSH-M12A-17P-FF-SR8D01-00AH	PMSH-M12B-05P-FF-SR8D01-00AH	PMSH-M12D-04P-FF-SR8D01-00AH
	3m	PMSH-M12A-10P-FF-SR8D03-00AH	PMSH-M12A-12P-FF-SR8D03-00AH	PMSH-M12A-17P-FF-SR8D03-00AH	PMSH-M12B-05P-FF-SR8D03-00AH	PMSH-M12D-04P-FF-SR8D03-00AH
	5m	PMSH-M12A-10P-FF-SR8D05-00AH	PMSH-M12A-12P-FF-SR8D05-00AH	PMSH-M12A-17P-FF-SR8D05-00AH	PMSH-M12B-05P-FF-SR8D05-00AH	PMSH-M12D-04P-FF-SR8D05-00AH
	Customized	.....	.....	.....	.....	.....

M12 x 1 Male Overmolded with Cable Plug, Single end, Unshielded, Straight.

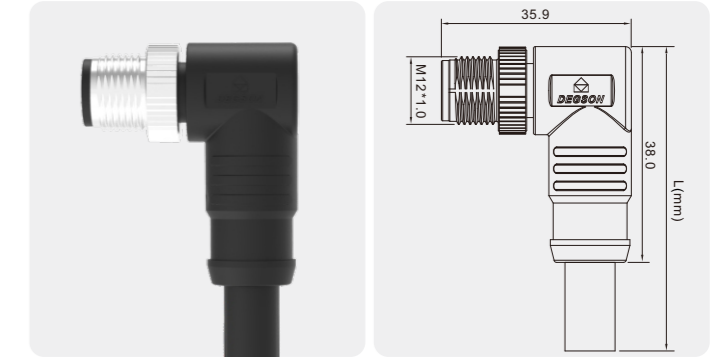


#### Technical Data

Standard	IEC 61076	Contact carriers material	PU
Series	M12, Male, Straight	Contact material	Copper Alloy, Gold-plated
Number of Pins	03, 04 Pin	Metal of nut	Zinc Alloy with Nickel Plated
Rated Current	12A max.	Seal	Silicone
Rated voltage	630V max.	Cable jacket material	PUR / PVC
Insulation resistance	≥ 100MΩ	Shielding	Unshielded
Contact resistance	≤ 5mΩ	Mechanical life	> 100 mating cycles
Ambient temperature	- 25 ~ + 80°C	—	—
IP Class	IP68	—	—

Number of Pins	03 Pin			04 Pin	
	Coded	S-Coded	T-Coded	S-Coded	T-Coded
Coding	Coded				
	Front View				
Rated current	A.	12A	12A	12A	12A
Rated voltage	V.	630V	63V	630V	63V
Wire/Cable	Wire gauge	16AWG	16AWG	16AWG	16AWG
	Cross section	1.5mm <sup>2</sup>	1.5mm <sup>2</sup>	1.5mm <sup>2</sup>	1.5mm <sup>2</sup>
	Wiring list	1.BK1 3.BK3 4.YE/GN	1.BN 3.BU 4.BK	1.BK1 2.BK2 3.BK3 4.YE/GN	1.BN 2.WH 3.BU 4.BK
Description	Order NO .	Order NO .	Order NO .	Order NO .	
PVC	1m	PM-M12S-03P-MM-SL8A01-00AH	PM-M12T-03P-MM-SL8A01-00AH	PM-M12S-04P-MM-SL8A01-00AH	PM-M12T-04P-MM-SL8A01-00AH
	3m	PM-M12S-03P-MM-SL8A03-00AH	PM-M12T-03P-MM-SL8A03-00AH	PM-M12S-04P-MM-SL8A03-00AH	PM-M12T-04P-MM-SL8A03-00AH
	5m	PM-M12S-03P-MM-SL8A05-00AH	PM-M12T-03P-MM-SL8A05-00AH	PM-M12S-04P-MM-SL8A05-00AH	PM-M12T-04P-MM-SL8A05-00AH
	Customized	.....	.....	.....	.....
PUR	1m	PM-M12S-03P-MM-SL8B01-00AH	PM-M12T-03P-MM-SL8B01-00AH	PM-M12S-04P-MM-SL8B01-00AH	PM-M12T-04P-MM-SL8B01-00AH
	3m	PM-M12S-03P-MM-SL8B03-00AH	PM-M12T-03P-MM-SL8B03-00AH	PM-M12S-04P-MM-SL8B03-00AH	PM-M12T-04P-MM-SL8B03-00AH
	5m	PM-M12S-03P-MM-SL8B05-00AH	PM-M12T-03P-MM-SL8B05-00AH	PM-M12S-04P-MM-SL8B05-00AH	PM-M12T-04P-MM-SL8B05-00AH
	Customized	.....	.....	.....	.....

M12 x 1 Male Overmolded with Cable Plug, Single end, Unshielded, Angled.



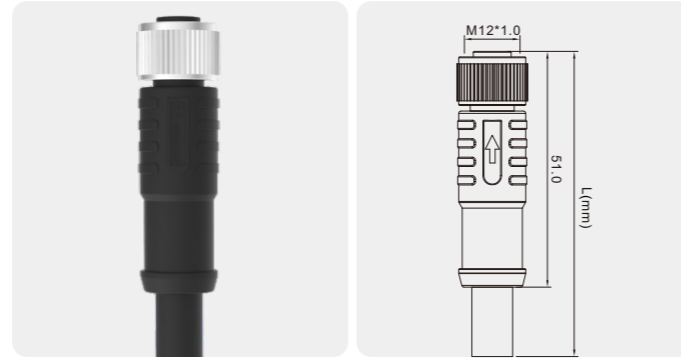
#### Technical Data

Standard	IEC 61076	Contact carriers material	PU
Series	M12, Male, Angled	Contact material	Copper Alloy, Gold-plated
Number of Pins	03, 04 Pin	Metal of nut	Zinc Alloy with Nickel Plated
Rated Current	12A max.	Seal	Silicone
Rated voltage	630V max.	Cable jacket material	PUR / PVC
Insulation resistance	≥ 100MΩ	Shielding	Unshielded
Contact resistance	≤ 5mΩ	Mechanical life	> 100 mating cycles
Ambient temperature	- 25 ~ + 80°C	—	—
IP Class	IP68	—	—

Number of Pins	03 Pin			04 Pin	
	Coded	S-Coded	T-Coded	S-Coded	T-Coded
Coding	Coded				
	Front View				
Rated current	A.	12A	12A	12A	12A
Rated voltage	V.	630V	63V	630V	63V
Wire/Cable	Wire gauge	16AWG	16AWG	16AWG	16AWG
	Cross section	1.5mm <sup>2</sup>	1.5mm <sup>2</sup>	1.5mm <sup>2</sup>	1.5mm <sup>2</sup>
	Wiring list	1.BK1 3.BK3 4.YE/GN	1.BN 3.BU 4.BK	1.BK1 2.BK2 3.BK3 4.YE/GN	1.BN 2.WH 3.BU 4.BK
Description	Order NO .	Order NO .	Order NO .	Order NO .	
PVC	1m	PM-M12S-03P-MM-SR8A01-00AH	PM-M12T-03P-MM-SR8A01-00AH	PM-M12S-04P-MM-SR8A01-00AH	PM-M12T-04P-MM-SR8A01-00AH
	3m	PM-M12S-03P-MM-SR8A03-00AH	PM-M12T-03P-MM-SR8A03-00AH	PM-M12S-04P-MM-SR8A03-00AH	PM-M12T-04P-MM-SR8A03-00AH
	5m	PM-M12S-03P-MM-SR8A05-00AH	PM-M12T-03P-MM-SR8A05-00AH	PM-M12S-04P-MM-SR8A05-00AH	PM-M12T-04P-MM-SR8A05-00AH
	Customized	.....	.....	.....	.....
PUR	1m	PM-M12S-03P-MM-SR8B01-00AH	PM-M12T-03P-MM-SR8B01-00AH	PM-M12S-04P-MM-SR8B01-00AH	PM-M12T-04P-MM-SR8B01-00AH
	3m	PM-M12S-03P-MM-SR8B03-00AH	PM-M12T-03P-MM-SR8B03-00AH	PM-M12S-04P-MM-SR8B03-00AH	PM-M12T-04P-MM-SR8B03-00AH
	5m	PM-M12S-03P-MM-SR8B05-00AH	PM-M12T-03P-MM-SR8B05-00AH	PM-M12S-04P-MM-SR8B05-00AH	PM-M12T-04P-MM-SR8B05-00AH
	Customized	.....	.....	.....	.....



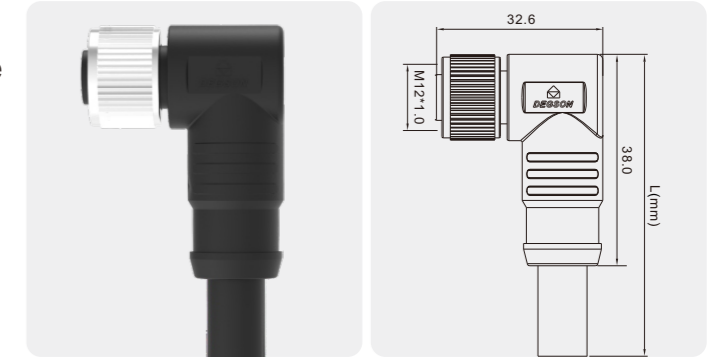
M12 x 1 Female Overmolded with Cable Plug, Single end, Unshielded, Straight.


**Technical Data**

Standard	IEC 61076	Contact carriers material	PU
Series	M12, Female, Straight	Contact material	Copper Alloy, Gold-plated
Number of Pins	03,04 Pin	Metal of nut	Zinc Alloy with Nickel Plated
Rated Current	12A max.	Seal	Silicone
Rated voltage	630V max.	Cable jacket material	PUR / PVC
Insulation resistance	≥100MΩ	Shielding	Unshielded
Contact resistance	≤5mΩ	Mechanical life	> 100 mating cycles
Ambient temperature	- 25 ~ + 80°C	—	—
IP Class	IP68	—	—

Number of Pins	03 Pin			04 Pin	
	Coded	S-Coded	T-Coded	S-Coded	T-Coded
Coding	Front View				
	Rated current	A. 12A	12A	12A	12A
Rated voltage	V. 630V	630V	63V	630V	63V
Wire/Cable	Wire gauge	16AWG	16AWG	16AWG	16AWG
	Cross section	1.5mm <sup>2</sup>	1.5mm <sup>2</sup>	1.5mm <sup>2</sup>	1.5mm <sup>2</sup>
	Wiring list	1.BK1 3.BK3 4.YE/GN	1.BN 2.WH 3.BU 4.BK	1.BK1 2.BK2 3.BK3 4.YE/GN	1.BN 2.WH 3.BU 4.BK
Description	Order NO .	Order NO .	Order NO .	Order NO .	Order NO .
PVC	1m	PM-M12S-03P-FF-SL8A01-00AH	PM-M12T-03P-FF-SL8A01-00AH	PM-M12S-04P-FF-SL8A01-00AH	PM-M12T-04P-FF-SL8A01-00AH
	3m	PM-M12S-03P-FF-SL8A03-00AH	PM-M12T-03P-FF-SL8A03-00AH	PM-M12S-04P-FF-SL8A03-00AH	PM-M12T-04P-FF-SL8A03-00AH
	5m	PM-M12S-03P-FF-SL8A05-00AH	PM-M12T-03P-FF-SL8A05-00AH	PM-M12S-04P-FF-SL8A05-00AH	PM-M12T-04P-FF-SL8A05-00AH
	Customized	.....	.....	.....	.....
PUR	1m	PM-M12S-03P-FF-SL8B01-00AH	PM-M12T-03P-FF-SL8B01-00AH	PM-M12S-04P-FF-SL8B01-00AH	PM-M12T-04P-FF-SL8B01-00AH
	3m	PM-M12S-03P-FF-SL8B03-00AH	PM-M12T-03P-FF-SL8B03-00AH	PM-M12S-04P-FF-SL8B03-00AH	PM-M12T-04P-FF-SL8B03-00AH
	5m	PM-M12S-03P-FF-SL8B05-00AH	PM-M12T-03P-FF-SL8B05-00AH	PM-M12S-04P-FF-SL8B05-00AH	PM-M12T-04P-FF-SL8B05-00AH
	Customized	.....	.....	.....	.....

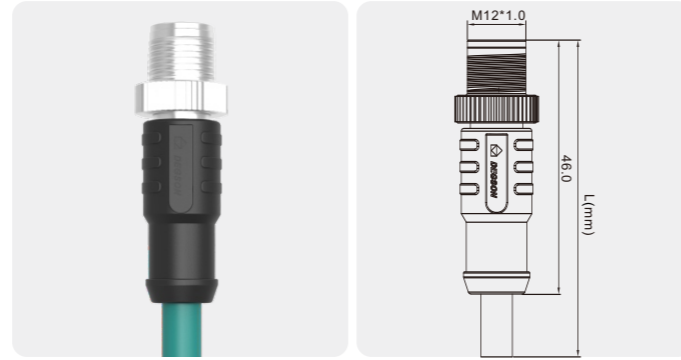
M12 x 1 Female Overmolded with Cable Plug, Single end, Unshielded, Angled.


**Technical Data**

Standard	IEC 61076	Contact carriers material	PU
Series	M12, Female, Angled	Contact material	Copper Alloy, Gold-plated
Number of Pins	03,04 Pin	Metal of nut	Zinc Alloy with Nickel Plated
Rated Current	12A max.	Seal	Silicone
Rated voltage	630V max.	Cable jacket material	PUR / PVC
Insulation resistance	≥100MΩ	Shielding	Unshielded
Contact resistance	≤5mΩ	Mechanical life	> 100 mating cycles
Ambient temperature	- 25 ~ + 80°C	—	—
IP Class	IP68	—	—

Number of Pins	03 Pin			04 Pin	
	Coded	S-Coded	T-Coded	S-Coded	T-Coded
Coding	Front View				
	Rated current	A. 12A	12A	12A	12A
Rated voltage	V. 630V	630V	63V	630V	63V
Wire/Cable	Wire gauge	16AWG	16AWG	16AWG	16AWG
	Cross section	1.5mm <sup>2</sup>	1.5mm <sup>2</sup>	1.5mm <sup>2</sup>	1.5mm <sup>2</sup>
	Wiring list	1.BK1 3.BK3 4.YE/GN	1.BN 2.WH 3.BU 4.BK	1.BK1 2.BK2 3.BK3 4.YE/GN	1.BN 2.WH 3.BU 4.BK
Description	Order NO .	Order NO .	Order NO .	Order NO .	Order NO .
PVC	1m	PM-M12S-03P-FF-SR8A01-00AH	PM-M12T-03P-FF-SR8A01-00AH	PM-M12S-04P-FF-SR8A01-00AH	PM-M12T-04P-FF-SR8A01-00AH
	3m	PM-M12S-03P-FF-SR8A03-00AH	PM-M12T-03P-FF-SR8A03-00AH	PM-M12S-04P-FF-SR8A03-00AH	PM-M12T-04P-FF-SR8A03-00AH
	5m	PM-M12S-03P-FF-SR8A05-00AH	PM-M12T-03P-FF-SR8A05-00AH	PM-M12S-04P-FF-SR8A05-00AH	PM-M12T-04P-FF-SR8A05-00AH
	Customized	.....	.....	.....	.....
PUR	1m	PM-M12S-03P-FF-SR8B01-00AH	PM-M12T-03P-FF-SR8B01-00AH	PM-M12S-04P-FF-SR8B01-00AH	PM-M12T-04P-FF-SR8B01-00AH
	3m	PM-M12S-03P-FF-SR8B03-00AH	PM-M12T-03P-FF-SR8B03-00AH	PM-M12S-04P-FF-SR8B03-00AH	PM-M12T-04P-FF-SR8B03-00AH
	5m	PM-M12S-03P-FF-SR8B05-00AH	PM-M12T-03P-FF-SR8B05-00AH	PM-M12S-04P-FF-SR8B05-00AH	PM-M12T-04P-FF-SR8B05-00AH
	Customized	.....	.....	.....	.....

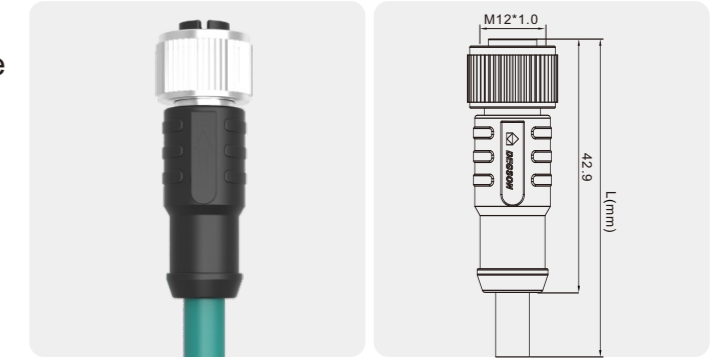
M12 x 1 Male Overmolded with Cable Plug, Single end, Shielded, Straight.


**Technical Data**

Standard	IEC 61076	Contact carriers material	PA
Series	M12, Male, Straight	Contact material	Copper Alloy, Gold-plated
Number of Pins	08 Pin	Metal of nut	Zinc Alloy with Nickel Plated
Rated Current	0.5A max.	Seal	Silicone
Rated voltage	50V AC / 60V DC	Cable jacket material	PUR / PVC
Insulation resistance	≥100MΩ	Shielding	Shielded
Contact resistance	≤5mΩ	Mechanical life	> 100 mating cycles
Ambient temperature	- 25 ~ +75°C	—	—
IP Class	IP67	—	—

Number of Pins		08 Pin
Coding	Coded	X-Coded
	Front View	
Rated current	A.	0.5A
Rated voltage	V.	50V AC / 60V DC
Wire/Cable	Wire gauge	26AWG
	Cross section	0.14mm <sup>2</sup>
	Wiring list	1.WH / OG 2.OG 3.WH / GN 4.GN 5.WH / BN 6.BN 7.WH / BU 8.BU
Description		Order NO .
CAT6A	1m	PMSH-M12X-08P-MM-SL7X01-00AH
	3m	PMSH-M12X-08P-MM-SL7X03-00AH
	5m	PMSH-M12X-08P-MM-SL7X05-00AH
	Customized	.....

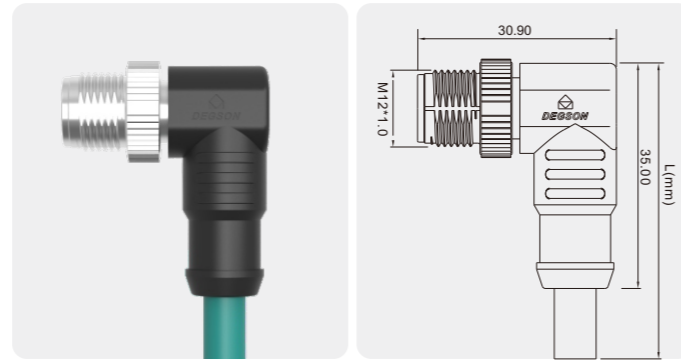
M12 x 1 Female Overmolded with Cable Plug, Single end, Shielded, Straight.


**Technical Data**

Standard	IEC 61076	Contact carriers material	PA
Series	M12, Female, Straight	Contact material	Copper Alloy, Gold-plated
Number of Pins	08 Pin	Metal of nut	Zinc Alloy with Nickel Plated
Rated Current	0.5A max.	Seal	Silicone
Rated voltage	50V AC / 60V DC	Cable jacket material	PUR / PVC
Insulation resistance	≥100MΩ	Shielding	Shielded
Contact resistance	≤5mΩ	Mechanical life	> 100 mating cycles
Ambient temperature	- 25 ~ +75°C	—	—
IP Class	IP67	—	—

Number of Pins		08 Pin
Coding	Coded	X-Coded
	Front View	
Rated current	A.	0.5A
Rated voltage	V.	50V AC / 60V DC
Wire/Cable	Wire gauge	26AWG
	Cross section	0.14mm <sup>2</sup>
	Wiring list	1.WH / OG 2.OG 3.WH / GN 4.GN 5.WH / BN 6.BN 7.WH / BU 8.BU
Description		Order NO .
CAT6A	1m	PMSH-M12X-08P-FF-SL7X01-00AH
	3m	PMSH-M12X-08P-FF-SL7X03-00AH
	5m	PMSH-M12X-08P-FF-SL7X05-00AH
	Customized	.....

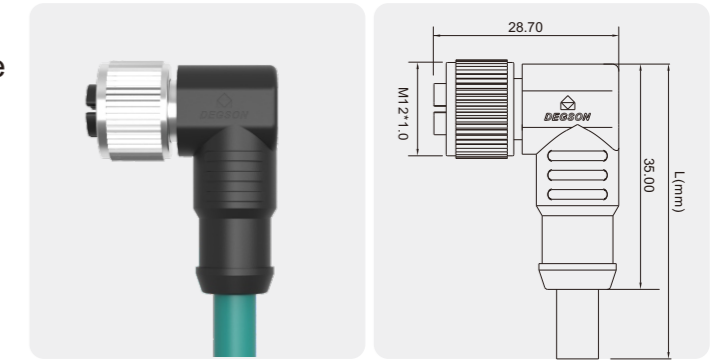
M12 x 1 Male Overmolded with Cable Plug, Single end, Shielded, Angled.


**Technical Data**

Standard	IEC 61076	Contact carriers material	PA
Series	M12, Male, Straight	Contact material	Copper Alloy, Gold-plated
Number of Pins	08 Pin	Metal of nut	Zinc Alloy with Nickel Plated
Rated Current	0.5A max.	Seal	Silicone
Rated voltage	50V AC / 60V DC	Cable jacket material	PUR / PVC
Insulation resistance	≥100MΩ	Shielding	Shielded
Contact resistance	≤5mΩ	Mechanical life	> 100 mating cycles
Ambient temperature	- 25 ~ +75°C	—	—
IP Class	IP67	—	—

Number of Pins		08 Pin
Coding	Coded	X-Coded
	Front View	
Rated current	A.	0.5A
Rated voltage	V.	50V AC / 60V DC
Wire/Cable	Wire gauge	26AWG
	Cross section	0.14mm <sup>2</sup>
	Wiring list	1.WH / OG 2.OG 3.WH / GN 4.GN 5.WH / BN 6.BN 7.WH / BU 8.BU
Description		Order NO .
CAT6A	1m	PMSH-M12X-08P-MM-SR7X01-00AH
	3m	PMSH-M12X-08P-MM-SR7X03-00AH
	5m	PMSH-M12X-08P-MM-SR7X05-00AH
	Customized	.....

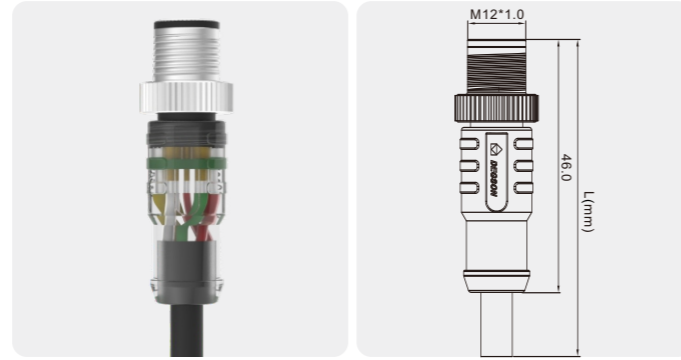
M12 x 1 Female Overmolded with Cable Plug, Single end, Shielded, Angled.


**Technical Data**

Standard	IEC 61076	Contact carriers material	PA
Series	M12, Female, Straight	Contact material	Copper Alloy, Gold-plated
Number of Pins	08 Pin	Metal of nut	Zinc Alloy with Nickel Plated
Rated Current	0.5A max.	Seal	Silicone
Rated voltage	50V AC / 60V DC	Cable jacket material	PUR / PVC
Insulation resistance	≥100MΩ	Shielding	Shielded
Contact resistance	≤5mΩ	Mechanical life	> 100 mating cycles
Ambient temperature	- 25 ~ +75°C	—	—
IP Class	IP67	—	—

Number of Pins		08 Pin
Coding	Coded	X-Coded
	Front View	
Rated current	A.	0.5A
Rated voltage	V.	50V AC / 60V DC
Wire/Cable	Wire gauge	26AWG
	Cross section	0.14mm <sup>2</sup>
	Wiring list	1.WH / OG 2.OG 3.WH / GN 4.GN 5.WH / BN 6.BN 7.WH / BU 8.BU
Description		Order NO .
CAT6A	1m	PMSH-M12X-08P-MM-SR7X01-00AH
	3m	PMSH-M12X-08P-MM-SR7X03-00AH
	5m	PMSH-M12X-08P-MM-SR7X05-00AH
	Customized	.....

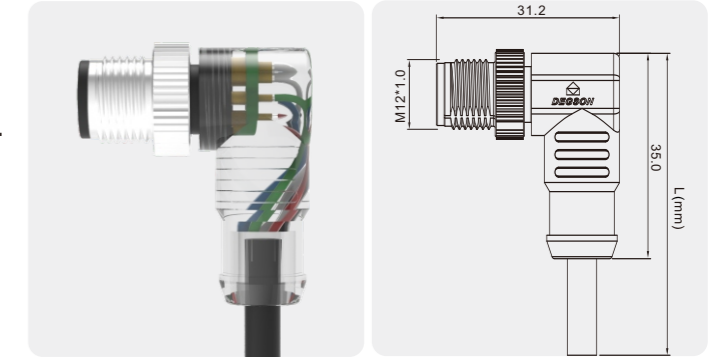
M12 x 1 Male Overmolded with Cable Plug, Single end, Unshielded, Straight, LED.


**Technical Data**

Standard	IEC 61076	Contact carriers material	PU
Series	M12, Male, Straight	Contact material	Copper Alloy, Gold-plated
Number of Pins	04, 05 Pin	Metal of nut	Zinc Alloy with Nickel Plated
Rated Current	4A max.	Seal	Silicone
Rated voltage	250V max.	Cable jacket material	PUR / PVC
Insulation resistance	≥100MΩ	Shielding	Unshielded
Contact resistance	≤5mΩ	Mechanical life	> 100 mating cycles
Ambient temperature	- 25 ~ + 80°C	—	—
IP Class	IP68	—	—

Number of Pins		04 Pin	05 Pin
Coding	Coded	A-Coded	A-Coded
	Front View		
Rated current	A.	4A	4A
Rated voltage	V.	250V	60V
Wire/Cable	Wire gauge	22AWG	22AWG
	Cross section	0.34mm <sup>2</sup>	0.34mm <sup>2</sup>
	Wiring list	1.BN 2.WH 3.BU 4.BK	1.BN 2.WH 3.BU 4.BK 5.GY
Description		Order NO .	Order NO .
PVC	1m	PL-M12A-04P-MM-SL8A01-00AH	PL-M12A-05P-MM-SL8A01-00AH
	3m	PL-M12A-04P-MM-SL8A03-00AH	PL-M12A-05P-MM-SL8A03-00AH
	5m	PL-M12A-04P-MM-SL8A05-00AH	PL-M12A-05P-MM-SL8A05-00AH
	Customized	.....	.....
PUR	1m	PL-M12A-04P-MM-SL8B01-00AH	PL-M12A-05P-MM-SL8B01-00AH
	3m	PL-M12A-04P-MM-SL8B03-00AH	PL-M12A-05P-MM-SL8B03-00AH
	5m	PL-M12A-04P-MM-SL8B05-00AH	PL-M12A-05P-MM-SL8B05-00AH
	Customized	.....	.....

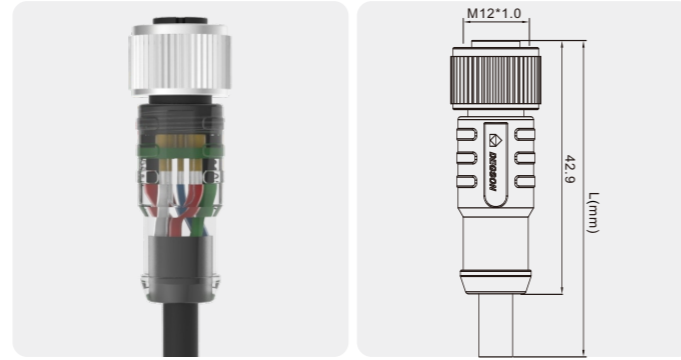
M12 x 1 Male Overmolded with Cable Plug, Single end, Unshielded, Angled, LED.


**Technical Data**

Standard	IEC 61076	Contact carriers material	PU
Series	M12, Male, Angled	Contact material	Copper Alloy, Gold-plated
Number of Pins	04, 05 Pin	Metal of nut	Zinc Alloy with Nickel Plated
Rated Current	4A max.	Seal	Silicone
Rated voltage	250V max.	Cable jacket material	PUR / PVC
Insulation resistance	≥100MΩ	Shielding	Unshielded
Contact resistance	≤5mΩ	Mechanical life	> 100 mating cycles
Ambient temperature	- 25 ~ + 80°C	—	—
IP Class	IP68	—	—

Number of Pins		04 Pin	05 Pin
Coding	Coded	A-Coded	A-Coded
	Front View		
Rated current	A.	4A	4A
Rated voltage	V.	250V	60V
Wire/Cable	Wire gauge	22AWG	22AWG
	Cross section	0.34mm <sup>2</sup>	0.34mm <sup>2</sup>
	Wiring list	1.BN 2.WH 3.BU 4.BK	1.BN 2.WH 3.BU 4.BK 5.GY
Description		Order NO .	Order NO .
PVC	1m	PL-M12A-04P-MM-SR8A01-00AH	PL-M12A-05P-MM-SR8A01-00AH
	3m	PL-M12A-04P-MM-SR8A03-00AH	PL-M12A-05P-MM-SR8A03-00AH
	5m	PL-M12A-04P-MM-SR8A05-00AH	PL-M12A-05P-MM-SR8A05-00AH
	Customized	.....	.....
PUR	1m	PL-M12A-04P-MM-SR8B01-00AH	PL-M12A-05P-MM-SR8B01-00AH
	3m	PL-M12A-04P-MM-SR8B03-00AH	PL-M12A-05P-MM-SR8B03-00AH
	5m	PL-M12A-04P-MM-SR8B05-00AH	PL-M12A-05P-MM-SR8B05-00AH
	Customized	.....	.....

M12 x 1 Female Overmolded with Cable Plug, Single end, Unshielded, Straight, LED.

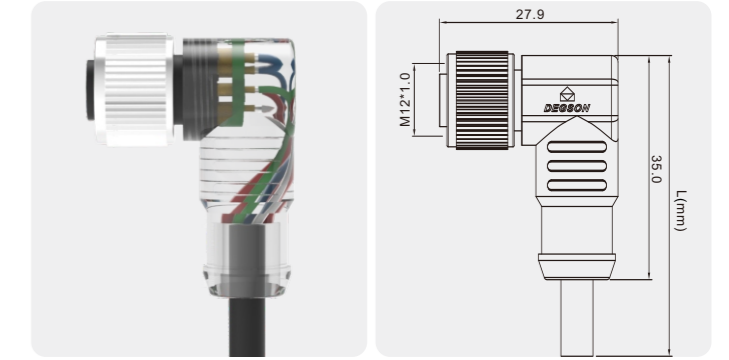


#### Technical Data

Standard	IEC 61076	Contact carriers material	PU
Series	M12, Female, Straight	Contact material	Copper Alloy, Gold-plated
Number of Pins	04,05 Pin	Metal of nut	Zinc Alloy with Nickel Plated
Rated Current	4A max.	Seal	Silicone
Rated voltage	250V max.	Cable jacket material	PUR / PVC
Insulation resistance	≥100MΩ	Shielding	Unshielded
Contact resistance	≤5mΩ	Mechanical life	> 100 mating cycles
Ambient temperature	- 25 ~ + 80°C	—	—
IP Class	IP68	—	—

Number of Pins		04 Pin	05 Pin
Coding	Coded	A-Coded	A-Coded
	Front View		
Rated current	A.	4A	4A
Rated voltage	V.	250V	60V
Wire/Cable	Wire gauge	22AWG	22AWG
	Cross section	0.34mm <sup>2</sup>	0.34mm <sup>2</sup>
	Wiring list	1.BN 2.WH 3.BU 4.BK	1.BN 2.WH 3.BU 4.BK 5.GY
Description		Order NO .	Order NO .
PVC	1m	PL-M12A-04P-FF-SL8A01-00AH	PL-M12A-05P-FF-SL8A01-00AH
	3m	PL-M12A-04P-FF-SL8A03-00AH	PL-M12A-05P-FF-SL8A03-00AH
	5m	PL-M12A-04P-FF-SL8A05-00AH	PL-M12A-05P-FF-SL8A05-00AH
	Customized	.....	.....
PUR	1m	PL-M12A-04P-FF-SL8B01-00AH	PL-M12A-05P-FF-SL8B01-00AH
	3m	PL-M12A-04P-FF-SL8B03-00AH	PL-M12A-05P-FF-SL8B03-00AH
	5m	PL-M12A-04P-FF-SL8B05-00AH	PL-M12A-05P-FF-SL8B05-00AH
	Customized	.....	.....

M12 x 1 Female Overmolded with Cable Plug, Single end, Unshielded, Angled, LED.

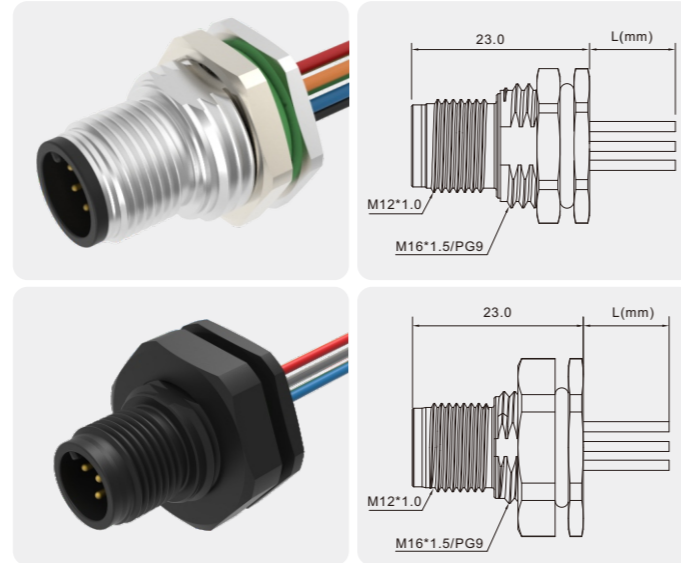


#### Technical Data

Standard	IEC 61076	Contact carriers material	PU
Series	M12, Female, Angled	Contact material	Copper Alloy, Gold-plated
Number of Pins	04,05 Pin	Metal of nut	Zinc Alloy with Nickel Plated
Rated Current	4A max.	Seal	Silicone
Rated voltage	250V max.	Cable jacket material	PUR / PVC
Insulation resistance	≥100MΩ	Shielding	Unshielded
Contact resistance	≤5mΩ	Mechanical life	> 100 mating cycles
Ambient temperature	- 25 ~ + 80°C	—	—
IP Class	IP68	—	—

Number of Pins		04 Pin	05 Pin
Coding	Coded	A-Coded	A-Coded
	Front View		
Rated current	A.	4A	4A
Rated voltage	V.	250V	60V
Wire/Cable	Wire gauge	22AWG	22AWG
	Cross section	0.34mm <sup>2</sup>	0.34mm <sup>2</sup>
	Wiring list	1.BN 2.WH 3.BU 4.BK	1.BN 2.WH 3.BU 4.BK 5.GY
Description		Order NO .	Order NO .
PVC	1m	PL-M12A-04P-FF-SR8A01-00AH	PL-M12A-05P-FF-SR8A01-00AH
	3m	PL-M12A-04P-FF-SR8A03-00AH	PL-M12A-05P-FF-SR8A03-00AH
	5m	PL-M12A-04P-FF-SR8A05-00AH	PL-M12A-05P-FF-SR8A05-00AH
	Customized	.....	.....
PUR	1m	PL-M12A-04P-FF-SR8B01-00AH	PL-M12A-05P-FF-SR8B01-00AH
	3m	PL-M12A-04P-FF-SR8B03-00AH	PL-M12A-05P-FF-SR8B03-00AH
	5m	PL-M12A-04P-FF-SR8B05-00AH	PL-M12A-05P-FF-SR8B05-00AH
	Customized	.....	.....

M12 x 1 Male Panel Mount Receptacle,  
Rear Mounting, With 0.5m wires.

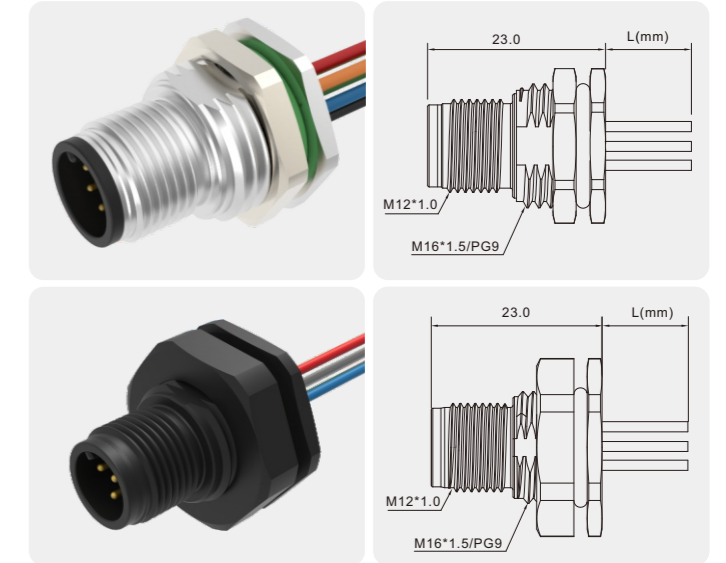


Technical Data

Standard	IEC 61076	Contact carriers material	PA
Series	M12, Male	Contact material	Copper Alloy, Gold-plated
Number of Pins	03,04,05,06,08,10,12,17Pin	Metal shell	Zinc Alloy with Nickel Plated
Rated Current	4A max.	Plastic shell	PA
Rated voltage	250V max.	Seal	Silicone
Insulation resistance	≥100MΩ	Shielding	Unshielded
Contact resistance	≤5mΩ	Mechanical life	> 100 mating cycles
Ambient temperature	- 25 ~ + 80°C	For Panel Thickness Max	4.5mm ( Metal shell)
IP Class	IP68		3.0mm ( Plastic shell)

Number of Pins		03 Pin	04 Pin	05 Pin	06 Pin	08 Pin
Coding	Coded	A-Coded	A-Coded	A-Coded	A-Coded	A-Coded
	Front View					
Rated current	A.	4A	4A	4A	2A	2A
Rated voltage	V.	250V	250V	60V	30V	30V
Wire/Cable	Wire gauge	22AWG	22AWG	22AWG	24AWG	24AWG
	Cross section	0.34mm <sup>2</sup>	0.34mm <sup>2</sup>	0.34mm <sup>2</sup>	0.25mm <sup>2</sup>	0.25mm <sup>2</sup>
Wiring list		1.BN 3.BU 4.BK	1.BN 2.WH 3.BU 4.BK	1.BN 2.WH 3.BU 4.YE 5.GY	1.WH 2.BN 3.GN 4.YE 6.PK 7.BU	1.WH 2.BN 3.GN 5.GY 6.PK 8.RD
	Description	Order NO .	Order NO .	Order NO .	Order NO .	Order NO .
PG9	Metal shell	0.5m	SD-M12A-03P-MM-SF8A50-00AH	SD-M12A-04P-MM-SF8A50-00AH	SD-M12A-05P-MM-SF8A50-00AH	SD-M12A-06P-MM-SF8A50-00AH
	Plastic shell	0.5m	SD-M12A-03P-MM-SF8D50-00AH	SD-M12A-04P-MM-SF8D50-00AH	SD-M12A-05P-MM-SF8D50-00AH	SD-M12A-06P-MM-SF8D50-00AH
	Customized		.....	.....	.....	.....
M16*1.5	Metal shell	0.5m	SD-M12A-03P-MM-SF8B50-00AH	SD-M12A-04P-MM-SF8B50-00AH	SD-M12A-05P-MM-SF8B50-00AH	SD-M12A-06P-MM-SF8B50-00AH
	Plastic shell	0.5m	SD-M12A-03P-MM-SF8E50-00AH	SD-M12A-04P-MM-SF8E50-00AH	SD-M12A-05P-MM-SF8E50-00AH	SD-M12A-06P-MM-SF8E50-00AH
	Customized		.....	.....	.....	.....

M12 x 1 Male Panel Mount Receptacle,  
Rear Mounting, With 0.5m wires.

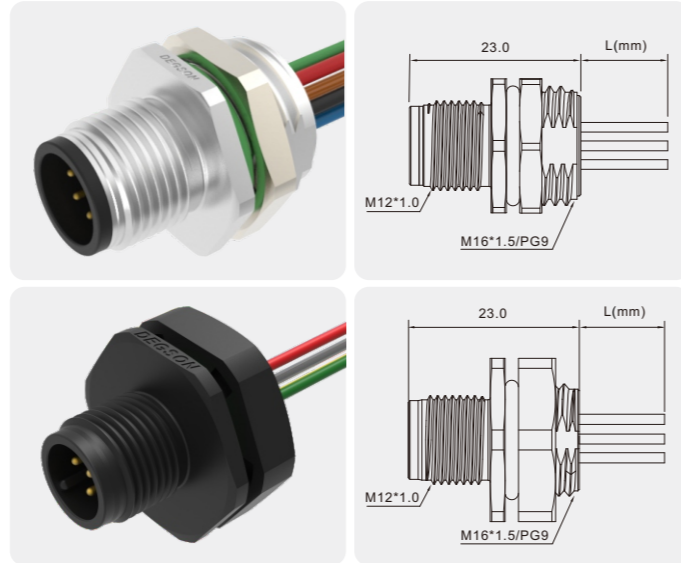


Technical Data

Standard	IEC 61076	Contact carriers material	PA
Series	M12, Male	Contact material	Copper Alloy, Gold-plated
Number of Pins	03,04,05,06,08,10,12,17Pin	Metal shell	Zinc Alloy with Nickel Plated
Rated Current	4A max.	Plastic shell	PA
Rated voltage	250V max.	Seal	Silicone
Insulation resistance	≥100MΩ	Shielding	Unshielded
Contact resistance	≤5mΩ	Mechanical life	> 100 mating cycles
Ambient temperature	- 25 ~ + 80°C	For Panel Thickness Max	4.5mm ( Metal shell)
IP Class	IP68		3.0mm ( Plastic shell)

Number of Pins		10 Pin	12 Pin	17 Pin	05 Pin	04 Pin
Coding	Coded	A-Coded	A-Coded	A-Coded	B-Coded	D-Coded
	Front View					
Rated current	A.	1.5A	1.5A	1.5A	4A	4A
Rated voltage	V.	30V	30V	30V	60V	250V
Wire/Cable	Wire gauge	26AWG	26AWG	26AWG	22AWG	22AWG
	Cross section	0.14mm <sup>2</sup>	0.14mm <sup>2</sup>	0.14mm <sup>2</sup>	0.34mm <sup>2</sup>	0.34mm <sup>2</sup>
Wiring list		1.BN 2.BU 3.WH 4.GN 5.PK 6.YW 7.BK 8.GY 9.RD 10.VT	1.BN 2.BU 3.WH 4.GN 5.PK 6.YW 7.BK 8.GY 9.RD 10.VT	1.BN 2.BU 3.WH 4.GN 5.PK 6.YW 7.BK 8.GY 9.RD 10.VT 11.GY/PK 12.RD/BU	1.BN 2.WH 3.BU 4.BK 5.GY	1.BN 2.WH 3.BU 4.BK
	Description	Order NO .	Order NO .	Order NO .	Order NO .	Order NO .
PG9	Metal shell	0.5m	SD-M12A-10P-MM-SF8A50-00AH	SD-M12A-12P-MM-SF8A50-00AH	SD-M12A-17P-MM-SF8A50-00AH	SD-M12B-05P-MM-SF8A50-00AH
	Plastic shell	0.5m	SD-M12A-10P-MM-SF8D50-00AH	SD-M12A-12P-MM-SF8D50-00AH	SD-M12A-17P-MM-SF8D50-00AH	SD-M12D-04P-MM-SF8D50-00AH
	Customized		.....	.....	.....	.....
M16*1.5	Metal shell	0.5m	SD-M12A-10P-MM-SF8B50-00AH	SD-M12A-12P-MM-SF8B50-00AH	SD-M12A-17P-MM-SF8B50-00AH	SD-M12B-05P-MM-SF8B50-00AH
	Plastic shell	0.5m	SD-M12A-10P-MM-SF8E50-00AH	SD-M12A-12P-MM-SF8E50-00AH	SD-M12A-17P-MM-SF8E50-00AH	SD-M12D-04P-MM-SF8E50-00AH
	Customized		.....	.....	.....	.....

M12 x 1 Male Panel Mount Receptacle, Front Mounting, With 0.5m wires.

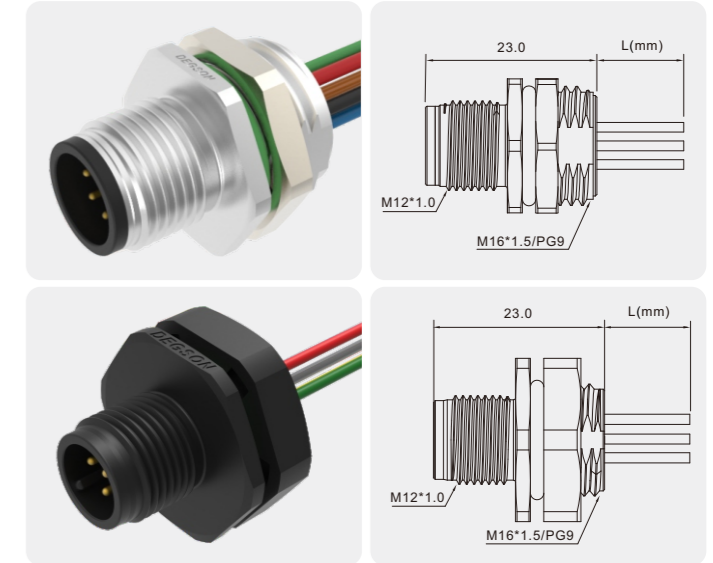


#### Technical Data

Standard	IEC 61076	Contact carriers material	PA
Series	M12, Male	Contact material	Copper Alloy, Gold-plated
Number of Pins	03,04,05,06,08,10,12,17Pin	Metal shell	Zinc Alloy with Nickel Plated
Rated Current	4A max.	Plastic shell	PA
Rated voltage	250V max.	Seal	Silicone
Insulation resistance	≥100MΩ	Shielding	Unshielded
Contact resistance	≤5mΩ	Mechanical life	> 100 mating cycles
Ambient temperature	- 25 ~ + 80°C	For Panel Thickness Max	4.5mm ( Metal shell) 3.0mm ( Plastic shell)
IP Class	IP68		

Number of Pins		03 Pin	04 Pin	05 Pin	06 Pin	08 Pin	
Coding	Coded	A-Coded	A-Coded	A-Coded	A-Coded	A-Coded	
	Front View						
Rated current	A.	4A	4A	4A	2A	2A	
Rated voltage	V.	250V	250V	60V	30V	30V	
Wire/Cable	Wire gauge	22AWG	22AWG	22AWG	24AWG	24AWG	
	Cross section	0.34mm <sup>2</sup>	0.34mm <sup>2</sup>	0.34mm <sup>2</sup>	0.25mm <sup>2</sup>	0.25mm <sup>2</sup>	
Wiring list		1.BN 3.BU 4.BK	1.BN 2.WH 3.BU 4.BK	1.BN 2.WH 3.BU 4.YE 5.GY	1.WH 2.BN 3.GN 4.YE 6.PK 7.BU	1.WH 2.BN 3.GN 4.GN 5.PK 6.PK 7.BU 8.RD	
	Description	Order NO .	Order NO .	Order NO .	Order NO .	Order NO .	
PG9	Metal shell	0.5m	SD-M12A-03P-MM-SH8A50-00AH	SD-M12A-04P-MM-SH8A50-00AH	SD-M12A-05P-MM-SH8A50-00AH	SD-M12A-06P-MM-SH8A50-00AH	SD-M12A-08P-MM-SH8A50-00AH
	Plastic shell	0.5m	SD-M12A-03P-MM-SH8D50-00AH	SD-M12A-04P-MM-SH8D50-00AH	SD-M12A-05P-MM-SH8D50-00AH	SD-M12A-06P-MM-SH8D50-00AH	SD-M12A-08P-MM-SH8D50-00AH
	Customized		.....	.....	.....	.....	.....
M16*1.5	Metal shell	0.5m	SD-M12A-03P-MM-SH8B50-00AH	SD-M12A-04P-MM-SH8B50-00AH	SD-M12A-05P-MM-SH8B50-00AH	SD-M12A-06P-MM-SH8B50-00AH	SD-M12A-08P-MM-SH8B50-00AH
	Plastic shell	0.5m	SD-M12A-03P-MM-SH8E50-00AH	SD-M12A-04P-MM-SH8E50-00AH	SD-M12A-05P-MM-SH8E50-00AH	SD-M12A-06P-MM-SH8E50-00AH	SD-M12A-08P-MM-SH8E50-00AH
	Customized		.....	.....	.....	.....	.....

M12 x 1 Male Panel Mount Receptacle, Front Mounting, With 0.5m wires.

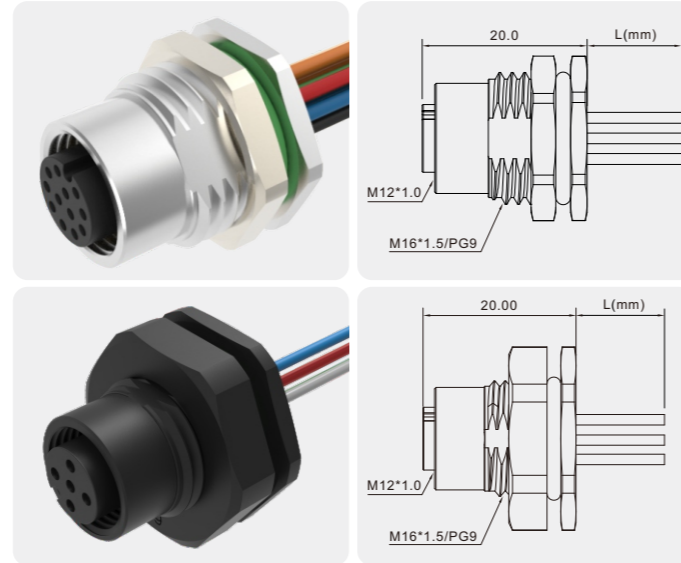


#### Technical Data

Standard	IEC 61076	Contact carriers material	PA
Series	M12, Male	Contact material	Copper Alloy, Gold-plated
Number of Pins	03,04,05,06,08,10,12,17Pin	Metal shell	Zinc Alloy with Nickel Plated
Rated Current	4A max.	Plastic shell	PA
Rated voltage	250V max.	Seal	Silicone
Insulation resistance	≥100MΩ	Shielding	Unshielded
Contact resistance	≤5mΩ	Mechanical life	> 100 mating cycles
Ambient temperature	- 25 ~ + 80°C	For Panel Thickness Max	4.5mm ( Metal shell) 3.0mm ( Plastic shell)
IP Class	IP68		

Number of Pins		10 Pin	12 Pin	17 Pin	05 Pin	04 Pin	
Coding	Coded	A-Coded	A-Coded	A-Coded	B-Coded	D-Coded	
	Front View						
Rated current	A.	1.5A	1.5A	1.5A	4A	4A	
Rated voltage	V.	30V	30V	30V	60V	250V	
Wire/Cable	Wire gauge	26AWG	26AWG	26AWG	22AWG	22AWG	
	Cross section	0.14mm <sup>2</sup>	0.14mm <sup>2</sup>	0.14mm <sup>2</sup>	0.34mm <sup>2</sup>	0.34mm <sup>2</sup>	
Wiring list		1.BN 2.BU 3.WH 4.GN 5.PK 6.YW 7.BK 8.GY 9.RD 10.VT	1.BN 2.BU 3.WH 4.GN 5.PK 6.YW 7.BK 8.GY 9.RD 10.VT 11.GY/PK 12.RD/BU	1.BN 2.BU 3.WH 4.GN 5.PK 6.YW 7.BK 8.GY 9.RD 10.VT 11.GY/PK 12.RD/BU 13.WH/GN 14.BN/GN 15.WH/YW 16.YW/BN 17.WH/GY	1.BN 2.WH 3.BU 4.BK 5.GY	1.BN 2.WH 3.BU 4.BK	
	Description	Order NO .	Order NO .	Order NO .	Order NO .	Order NO .	
PG9	Metal shell	0.5m	SD-M12A-10P-MM-SH8A50-00AH	SD-M12A-12P-MM-SH8A50-00AH	SD-M12A-17P-MM-SH8A50-00AH	SD-M12B-05P-MM-SH8A50-00AH	SD-M12D-04P-MM-SH8A50-00AH
	Plastic shell	0.5m	SD-M12A-10P-MM-SH8D50-00AH	SD-M12A-12P-MM-SH8D50-00AH	SD-M12A-17P-MM-SH8D50-00AH	SD-M12B-05P-MM-SH8D50-00AH	SD-M12D-04P-MM-SH8D50-00AH
	Customized		.....	.....	.....	.....	.....
M16*1.5	Metal shell	0.5m	SD-M12A-10P-MM-SH8B50-00AH	SD-M12A-12P-MM-SH8B50-00AH	SD-M12A-17P-MM-SH8B50-00AH	SD-M12B-05P-MM-SH8B50-00AH	SD-M12D-04P-MM-SH8B50-00AH
	Plastic shell	0.5m	SD-M12A-10P-MM-SH8E50-00AH	SD-M12A-12P-MM-SH8E50-00AH	SD-M12A-17P-MM-SH8E50-00AH	SD-M12B-05P-MM-SH8E50-00AH	SD-M12D-04P-MM-SH8E50-00AH
	Customized		.....	.....	.....	.....	.....

M12 x 1 Female Panel Mount Receptacle, Rear Mounting, With 0.5m wires.

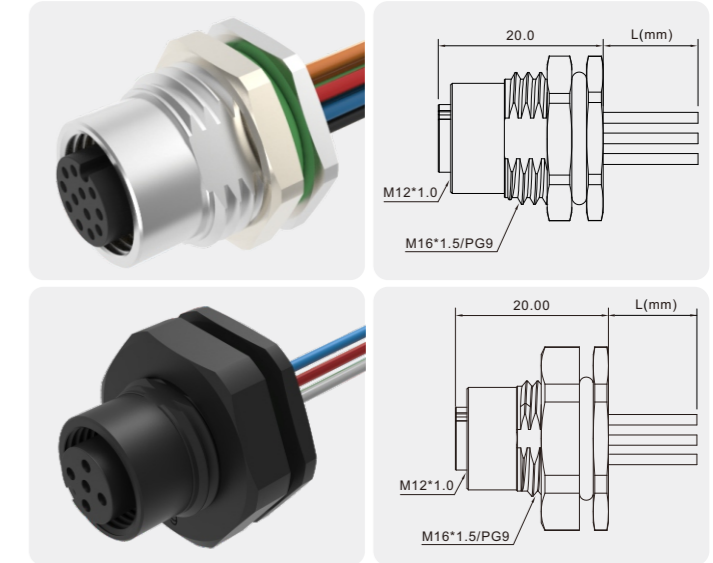


#### Technical Data

Standard	IEC 61076	Contact carriers material	PA
Series	M12, Female	Contact material	Copper Alloy, Gold-plated
Number of Pins	03,04,05,06,08,10,12,17Pin	Metal shell	Zinc Alloy with Nickel Plated
Rated Current	4A max.	Plastic shell	PA
Rated voltage	250V max.	Seal	Silicone
Insulation resistance	≥100MΩ	Shielding	Unshielded
Contact resistance	≤5mΩ	Mechanical life	> 100 mating cycles
Ambient temperature	- 25 ~ + 80°C	For Panel Thickness Max	4.5mm ( Metal shell) 3.0mm ( Plastic shell)
IP Class	IP68		

Number of Pins		03 Pin	04 Pin	05 Pin	06 Pin	08 Pin
Coding	Coded	A-Coded	A-Coded	A-Coded	A-Coded	A-Coded
	Front View					
Rated current	A.	4A	4A	4A	2A	2A
Rated voltage	V.	250V	250V	60V	30V	30V
Wire/Cable	Wire gauge	22AWG	22AWG	22AWG	24AWG	24AWG
	Cross section	0.34mm <sup>2</sup>	0.34mm <sup>2</sup>	0.34mm <sup>2</sup>	0.25mm <sup>2</sup>	0.25mm <sup>2</sup>
Wiring list	1.BN	1.BN	1.BN	1.BN	1.WH	1.WH
	2.WH	2.WH	2.WH	2.WH	2.BN	2.BN
Description	Order NO .	Order NO .	Order NO .	Order NO .	Order NO .	Order NO .
	PG9	SD-M12A-03P-FF-SF8A50-00AH	SD-M12A-04P-FF-SF8A50-00AH	SD-M12A-05P-FF-SF8A50-00AH	SD-M12A-06P-FF-SF8A50-00AH	SD-M12A-08P-FF-SF8A50-00AH
Customized	.....	.....	.....	.....	.....	.....
	M16*1.5	SD-M12A-03P-FF-SF8B50-00AH	SD-M12A-04P-FF-SF8B50-00AH	SD-M12A-05P-FF-SF8B50-00AH	SD-M12A-06P-FF-SF8B50-00AH	SD-M12A-08P-FF-SF8B50-00AH
Customized	.....	.....	.....	.....	.....	.....

M12 x 1 Female Panel Mount Receptacle, Rear Mounting, With 0.5m wires.



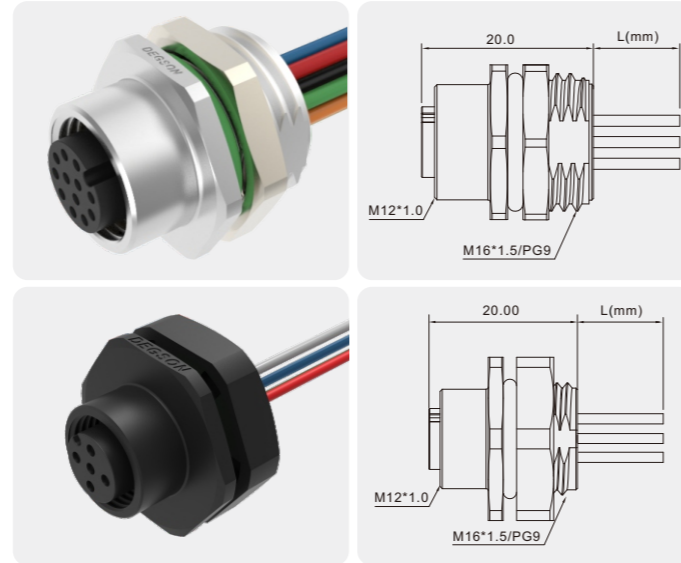
#### Technical Data

Standard	IEC 61076	Contact carriers material	PA
Series	M12, Female	Contact material	Copper Alloy, Gold-plated
Number of Pins	03,04,05,06,08,10,12,17Pin	Metal shell	Zinc Alloy with Nickel Plated
Rated Current	4A max.	Plastic shell	PA
Rated voltage	250V max.	Seal	Silicone
Insulation resistance	≥100MΩ	Shielding	Unshielded
Contact resistance	≤5mΩ	Mechanical life	> 100 mating cycles
Ambient temperature	- 25 ~ + 80°C	For Panel Thickness Max	4.5mm ( Metal shell) 3.0mm ( Plastic shell)
IP Class	IP68		

Number of Pins		10 Pin	12 Pin	17 Pin	05 Pin	04 Pin
Coding	Coded	A-Coded	A-Coded	A-Coded	B-Coded	D-Coded
	Front View					
Rated current	A.	1.5A	1.5A	1.5A	4A	4A
Rated voltage	V.	30V	30V	30V	60V	250V
Wire/Cable	Wire gauge	26AWG	26AWG	26AWG	22AWG	22AWG
	Cross section	0.14mm <sup>2</sup>	0.14mm <sup>2</sup>	0.14mm <sup>2</sup>	0.34mm <sup>2</sup>	0.34mm <sup>2</sup>
Wiring list	1.BN	1.BN	1.BN	1.BN	1.BN	1.BN
	2.BU	2.BU	2.BU	2.WH	2.WH	2.WH
Description	Order NO .	Order NO .	Order NO .	Order NO .	Order NO .	Order NO .
	PG9	SD-M12A-10P-FF-SF8A50-00AH	SD-M12A-12P-FF-SF8A50-00AH	SD-M12A-17P-FF-SF8A50-00AH	SD-M12B-05P-FF-SF8A50-00AH	SD-M12D-04P-FF-SF8A50-00AH
Customized	.....	.....	.....	.....	.....	.....
	M16*1.5	SD-M12A-10P-FF-SF8B50-00AH	SD-M12A-12P-FF-SF8B50-00AH	SD-M12A-17P-FF-SF8B50-00AH	SD-M12B-05P-FF-SF8B50-00AH	SD-M12D-04P-FF-SF8B50-00AH
Customized	.....	.....	.....	.....	.....	.....



M12 x 1 Female Panel Mount Receptacle,  
Front Mounting, With 0.5m wires.

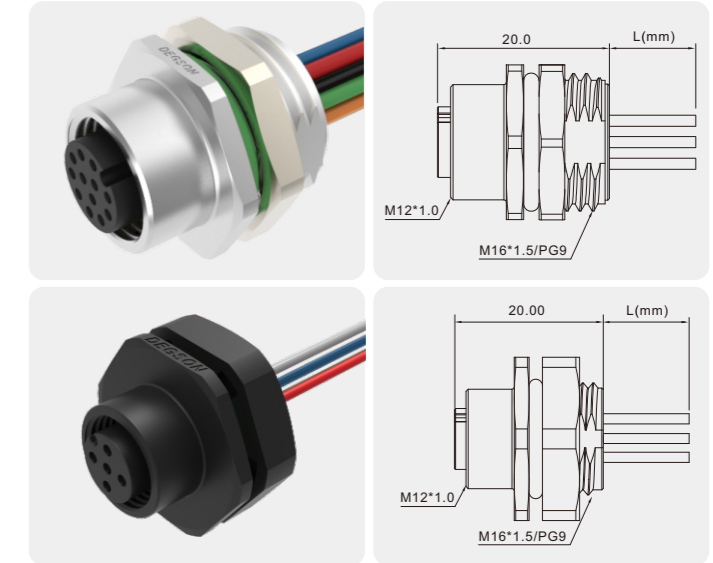


#### Technical Data

Standard	IEC 61076	Contact carriers material	PA
Series	M12, Female	Contact material	Copper Alloy, Gold-plated
Number of Pins	03,04,05,06,08,10,12,17Pin	Metal shell	Zinc Alloy with Nickel Plated
Rated Current	4A max.	Plastic shell	PA
Rated voltage	250V max.	Seal	Silicone
Insulation resistance	≥100MΩ	Shielding	Unshielded
Contact resistance	≤5mΩ	Mechanical life	> 100 mating cycles
Ambient temperature	- 25 ~ + 80°C	For Panel Thickness Max	4.5mm ( Metal shell) 3.0mm ( Plastic shell)
IP Class	IP68		

Number of Pins		03 Pin	04 Pin	05 Pin	06 Pin	08 Pin
Coding	Coded	A-Coded	A-Coded	A-Coded	A-Coded	A-Coded
	Front View					
Rated current	A.	4A	4A	4A	2A	2A
Rated voltage	V.	250V	250V	60V	30V	30V
Wire/Cable	Wire gauge	22AWG	22AWG	22AWG	24AWG	24AWG
	Cross section	0.34mm <sup>2</sup>	0.34mm <sup>2</sup>	0.34mm <sup>2</sup>	0.25mm <sup>2</sup>	0.25mm <sup>2</sup>
Wiring list	1.BN	1.BN	1.BN	1.BN	1.WH	1.WH
	2.WH	2.WH	2.WH	2.WH	2.BN	2.BN
Description	Order NO .	Order NO .	Order NO .	Order NO .	Order NO .	Order NO .
	PG9	0.5m	SD-M12A-03P-FF-SH8A50-00AH	SD-M12A-04P-FF-SH8A50-00AH	SD-M12A-05P-FF-SH8A50-00AH	SD-M12A-06P-FF-SH8A50-00AH
M16*1.5	0.5m	SD-M12A-03P-FF-SH8B50-00AH	SD-M12A-04P-FF-SH8B50-00AH	SD-M12A-05P-FF-SH8B50-00AH	SD-M12A-06P-FF-SH8B50-00AH	SD-M12A-08P-FF-SH8B50-00AH
	0.5m	SD-M12A-03P-FF-SH8E50-00AH	SD-M12A-04P-FF-SH8E50-00AH	SD-M12A-05P-FF-SH8E50-00AH	SD-M12A-06P-FF-SH8E50-00AH	SD-M12A-08P-FF-SH8E50-00AH

M12 x 1 Female Panel Mount Receptacle,  
Front Mounting, With 0.5m wires.

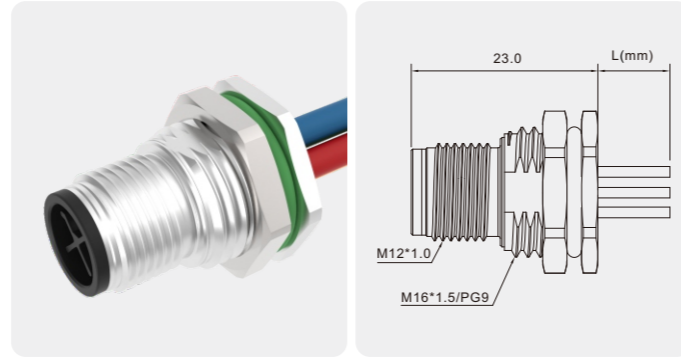


#### Technical Data

Standard	IEC 61076	Contact carriers material	PA
Series	M12, Female	Contact material	Copper Alloy, Gold-plated
Number of Pins	03,04,05,06,08,10,12,17Pin	Metal shell	Zinc Alloy with Nickel Plated
Rated Current	4A max.	Plastic shell	PA
Rated voltage	250V max.	Seal	Silicone
Insulation resistance	≥100MΩ	Shielding	Unshielded
Contact resistance	≤5mΩ	Mechanical life	> 100 mating cycles
Ambient temperature	- 25 ~ + 80°C	For Panel Thickness Max	4.5mm ( Metal shell) 3.0mm ( Plastic shell)
IP Class	IP68		

Number of Pins		10 Pin	12 Pin	17 Pin	05 Pin	04 Pin
Coding	Coded	A-Coded	A-Coded	A-Coded	B-Coded	D-Coded
	Front View					
Rated current	A.	1.5A	1.5A	1.5A	4A	4A
Rated voltage	V.	30V	30V	30V	60V	250V
Wire/Cable	Wire gauge	26AWG	26AWG	26AWG	22AWG	22AWG
	Cross section	0.14mm <sup>2</sup>	0.14mm <sup>2</sup>	0.14mm <sup>2</sup>	0.34mm <sup>2</sup>	0.34mm <sup>2</sup>
Wiring list	1.BN	1.BN	1.BN	1.BN	1.BN	1.BN
	2.BU	2.BU	2.BU	2.BU	2.WH	2.WH
Description	Order NO .	Order NO .	Order NO .	Order NO .	Order NO .	Order NO .
	PG9	0.5m	SD-M12A-10P-FF-SH8A50-00AH	SD-M12A-12P-FF-SH8A50-00AH	SD-M12A-17P-FF-SH8A50-00AH	SD-M12B-05P-FF-SH8A50-00AH
M16*1.5	0.5m	SD-M12A-10P-FF-SH8B50-00AH	SD-M12A-12P-FF-SH8B50-00AH	SD-M12A-17P-FF-SH8B50-00AH	SD-M12B-05P-FF-SH8B50-00AH	SD-M12D-04P-FF-SH8B50-00AH
	0.5m	SD-M12A-10P-FF-SH8E50-00AH	SD-M12A-12P-FF-SH8E50-00AH	SD-M12A-17P-FF-SH8E50-00AH	SD-M12B-05P-FF-SH8E50-00AH	SD-M12D-04P-FF-SH8E50-00AH

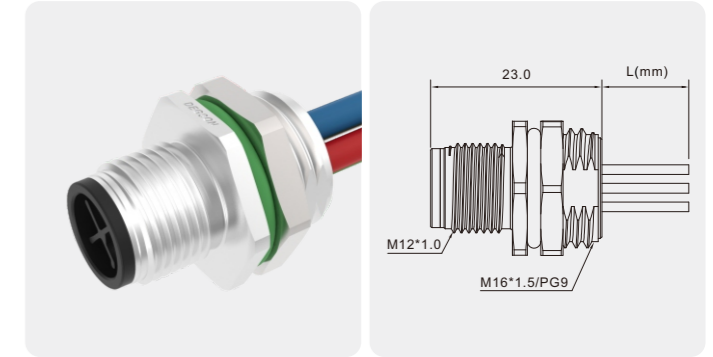
M12 x 1 Male Panel Mount Receptacle,  
Rear Mounting, With 0.5m wires.


**Technical Data**

Standard	IEC 61076	Contact carriers material	PA
Series	M12, Male	Contact material	Copper Alloy, Gold-plated
Number of Pins	03,04 Pin	Metal of nut	Zinc Alloy with Nickel Plated
Rated Current	12A max.	Seal	Silicone
Rated voltage	630V max.	Shielding	Unshielded
Insulation resistance	≥100MΩ	Mechanical life	> 100 mating cycles
Contact resistance	≤5mΩ	For Panel Thickness Max	4.5mm
Ambient temperature	- 25 ~ + 80°C	—	—
IP Class	IP68	—	—

Number of Pins		03 Pin		04 Pin	
Coding	Coded	S-Coded	T-Coded	S-Coded	T-Coded
	Front View				
Rated current	A.	12A	12A	12A	12A
Rated voltage	V.	630V	63V	630V	63V
Wire/Cable	Wire gauge	16AWG	16AWG	16AWG	16AWG
	Cross section	1.5mm <sup>2</sup>	1.5mm <sup>2</sup>	1.5mm <sup>2</sup>	1.5mm <sup>2</sup>
Wiring list		1.BK1 3.BK3 4.YE/GN	1.BN 3.BU 4.BK	1.BK1 2.BK2 3.BK3 4.YE/GN	1.BN 2.WH 3.BU 4.BK
Description		Order NO .	Order NO .	Order NO .	Order NO .
PG9	0.5m	SD-M12S-03P-MM-SF8A50-00AH	SD-M12T-03P-MM-SF8A50-00AH	SD-M12S-04P-MM-SF8A50-00AH	SD-M12T-04P-MM-SF8A50-00AH
	Customized	.....	.....	.....	.....
M16*1.5	0.5m	SD-M12S-03P-MM-SF8B50-00AH	SD-M12T-03P-MM-SF8B50-00AH	SD-M12S-04P-MM-SF8B50-00AH	SD-M12T-04P-MM-SF8B50-00AH
	Customized	.....	.....	.....	.....

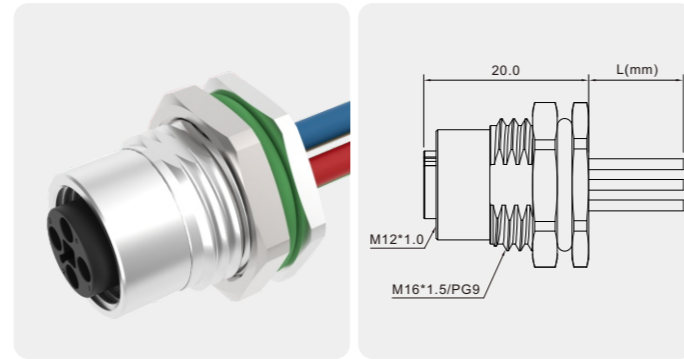
M12 x 1 Male Panel Mount Receptacle,  
Front Mounting, With 0.5m wires.


**Technical Data**

Standard	IEC 61076	Contact carriers material	PA
Series	M12, Male	Contact material	Copper Alloy, Gold-plated
Number of Pins	03,04 Pin	Metal of nut	Zinc Alloy with Nickel Plated
Rated Current	12A max.	Seal	Silicone
Rated voltage	630V max.	Shielding	Unshielded
Insulation resistance	≥100MΩ	Mechanical life	> 100 mating cycles
Contact resistance	≤5mΩ	For Panel Thickness Max	4.5mm
Ambient temperature	- 25 ~ + 80°C	—	—
IP Class	IP68	—	—

Number of Pins		03 Pin		04 Pin	
Coding	Coded	S-Coded	T-Coded	S-Coded	T-Coded
	Front View				
Rated current	A.	12A	12A	12A	12A
Rated voltage	V.	630V	63V	630V	63V
Wire/Cable	Wire gauge	16AWG	16AWG	16AWG	16AWG
	Cross section	1.5mm <sup>2</sup>	1.5mm <sup>2</sup>	1.5mm <sup>2</sup>	1.5mm <sup>2</sup>
Wiring list		1.BK1 3.BK3 4.YE/GN	1.BN 3.BU 4.BK	1.BK1 2.BK2 3.BK3 4.YE/GN	1.BN 2.WH 3.BU 4.BK
Description		Order NO .	Order NO .	Order NO .	Order NO .
PG9	0.5m	SD-M12S-03P-MM-SH8A50-00AH	SD-M12T-03P-MM-SH8A50-00AH	SD-M12S-04P-MM-SH8A50-00AH	SD-M12T-04P-MM-SH8A50-00AH
	Customized	.....	.....	.....	.....
M16*1.5	0.5m	SD-M12S-03P-MM-SH8B50-00AH	SD-M12T-03P-MM-SH8B50-00AH	SD-M12S-04P-MM-SH8B50-00AH	SD-M12T-04P-MM-SH8B50-00AH
	Customized	.....	.....	.....	.....

M12 x 1 Female Panel Mount Receptacle,  
Rear Mounting, With 0.5m wires.

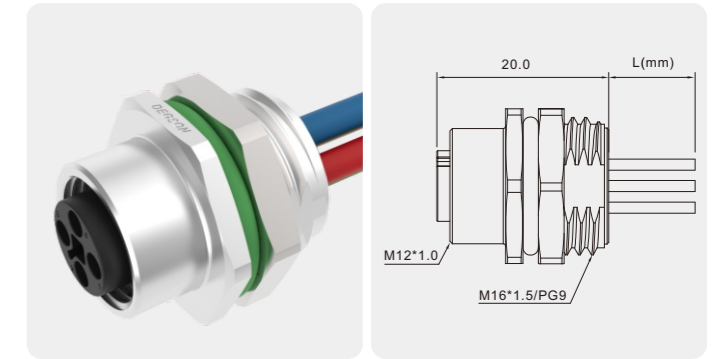


#### Technical Data

Standard	IEC 61076	Contact carriers material	PA
Series	M12, Female	Contact material	Copper Alloy, Gold-plated
Number of Pins	03,04 Pin	Metal of nut	Zinc Alloy with Nickel Plated
Rated Current	12A max.	Seal	Silicone
Rated voltage	630V max.	Shielding	Unshielded
Insulation resistance	≥100MΩ	Mechanical life	> 100 mating cycles
Contact resistance	≤5mΩ	For Panel Thickness Max	4.5mm
Ambient temperature	- 25 ~ + 80°C	—	—
IP Class	IP68	—	—

Number of Pins		03 Pin		04 Pin	
Coding	Coded	S-Coded	T-Coded	S-Coded	T-Coded
	Front View				
Rated current	A.	12A	12A	12A	12A
Rated voltage	V.	630V	63V	630V	63V
Wire/Cable	Wire gauge	16AWG	16AWG	16AWG	16AWG
	Cross section	1.5mm <sup>2</sup>	1.5mm <sup>2</sup>	1.5mm <sup>2</sup>	1.5mm <sup>2</sup>
Wiring list		1.BK1 3.BK3 4.YE/GN	1.BN 3.BU 4.BK	1.BK1 2.BK2 3.BK3 4.YE/GN	1.BN 2.WH 3.BU 4.BK
Description		Order NO .	Order NO .	Order NO .	Order NO .
PG9	0.5m	SD-M12S-03P-FF-SF8A50-00AH	SD-M12T-03P-FF-SF8A50-00AH	SD-M12S-04P-FF-SF8A50-00AH	SD-M12T-04P-FF-SF8A50-00AH
	Customized	.....	.....	.....	.....
M16*1.5	0.5m	SD-M12S-03P-FF-SF8B50-00AH	SD-M12T-03P-FF-SF8B50-00AH	SD-M12S-04P-FF-SF8B50-00AH	SD-M12T-04P-FF-SF8B50-00AH
	Customized	.....	.....	.....	.....

M12 x 1 Female Panel Mount Receptacle,  
Front Mounting, With 0.5m wires.

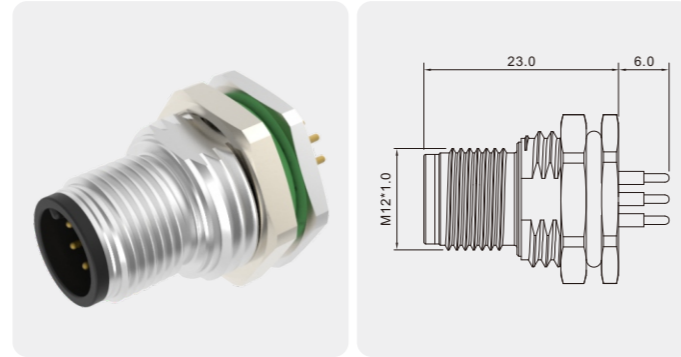


#### Technical Data

Standard	IEC 61076	Contact carriers material	PA
Series	M12, Female	Contact material	Copper Alloy, Gold-plated
Number of Pins	03,04 Pin	Metal of nut	Zinc Alloy with Nickel Plated
Rated Current	12A max.	Seal	Silicone
Rated voltage	630V max.	Shielding	Unshielded
Insulation resistance	≥100MΩ	Mechanical life	> 100 mating cycles
Contact resistance	≤5mΩ	For Panel Thickness Max	4.5mm
Ambient temperature	- 25 ~ + 80°C	—	—
IP Class	IP68	—	—

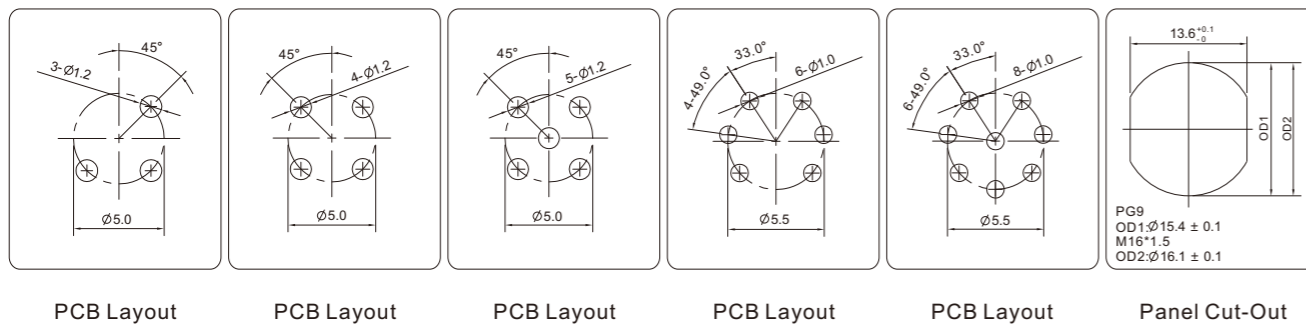
Number of Pins		03 Pin		04 Pin	
Coding	Coded	S-Coded	T-Coded	S-Coded	T-Coded
	Front View				
Rated current	A.	12A	12A	12A	12A
Rated voltage	V.	630V	63V	630V	63V
Wire/Cable	Wire gauge	16AWG	16AWG	16AWG	16AWG
	Cross section	1.5mm <sup>2</sup>	1.5mm <sup>2</sup>	1.5mm <sup>2</sup>	1.5mm <sup>2</sup>
Wiring list		1.BK1 3.BK3 4.YE/GN	1.BN 3.BU 4.BK	1.BK1 2.BK2 3.BK3 4.YE/GN	1.BN 2.WH 3.BU 4.BK
Description		Order NO .	Order NO .	Order NO .	Order NO .
PG9	0.5m	SD-M12S-03P-FF-SH8A50-00AH	SD-M12T-03P-FF-SH8A50-00AH	SD-M12S-04P-FF-SH8A50-00AH	SD-M12T-04P-FF-SH8A50-00AH
	Customized	.....	.....	.....	.....
M16*1.5	0.5m	SD-M12S-03P-FF-SH8B50-00AH	SD-M12T-03P-FF-SH8B50-00AH	SD-M12S-04P-FF-SH8B50-00AH	SD-M12T-04P-FF-SH8B50-00AH
	Customized	.....	.....	.....	.....

M12 x 1 Male Panel Mount Receptacle,  
Rear Mounting, Unshielded, PCB Soldering.

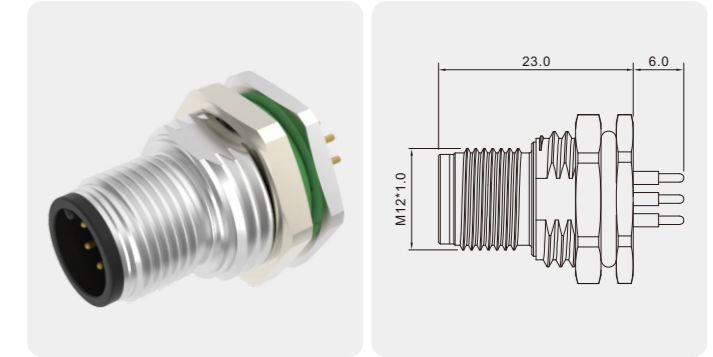

**Technical Data**

Standard	IEC 61076	Contact carriers material	PA
Series	M12, Male	Contact material	Copper Alloy, Gold-plated
Number of Pins	03,04,05,06,08,10,12,17 Pin	Metal of nut	Zinc Alloy with Nickel Plated
Rated Current	4A max.	Seal	Silicone
Rated voltage	250V max.	Mechanical life	> 100 mating cycles
Insulation resistance	≥100MΩ	For Panel Thickness Max	4.5mm
Contact resistance	≤5mΩ	—	—
Ambient temperature	- 40 ~ +105°C	—	—
IP Class	IP68	—	—

Number of Pins		03 Pin	04 Pin	05 Pin	06 Pin	08 Pin
Coding	Coded	A-Coded	A-Coded	A-Coded	A-Coded	A-Coded
	Front View					
Rated current	A.	4A	4A	4A	2A	2A
Rated voltage	V.	250V	250V	60V	30V	30V
Description	Order NO .	Order NO .	Order NO .	Order NO .	Order NO .	Order NO .
PG9	SP-M12A-03P-MM-SF8001-00AH	SP-M12A-04P-MM-SF8001-00AH	SP-M12A-05P-MM-SF8001-00AH	SP-M12A-06P-MM-SF8001-00AH	SP-M12A-08P-MM-SF8001-00AH	SP-M12A-08P-MM-SF8001-00AH
Customized	.....	.....	.....	.....	.....	.....
M16*1.5	SP-M12A-03P-MM-SF8002-00AH	SP-M12A-04P-MM-SF8002-00AH	SP-M12A-05P-MM-SF8002-00AH	SP-M12A-06P-MM-SF8002-00AH	SP-M12A-08P-MM-SF8002-00AH	SP-M12A-08P-MM-SF8002-00AH
Customized	.....	.....	.....	.....	.....	.....

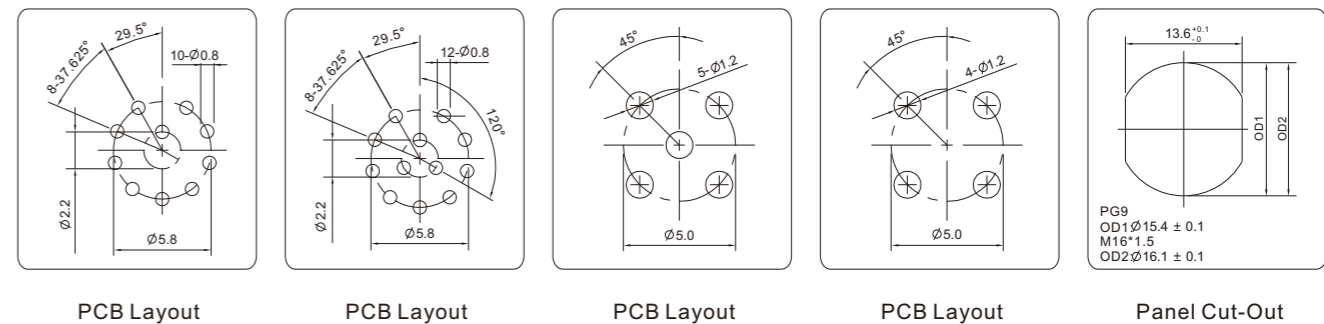
**Dimension Figure**


M12 x 1 Male Panel Mount Receptacle,  
Rear Mounting, Unshielded, PCB Soldering.

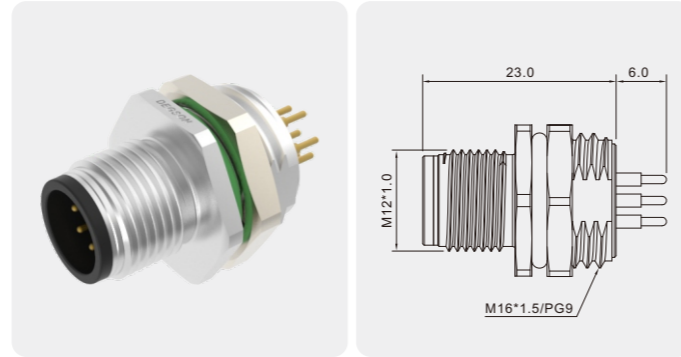

**Technical Data**

Standard	IEC 61076	Contact carriers material	PA
Series	M12, Male	Contact material	Copper Alloy, Gold-plated
Number of Pins	03,04,05,06,08,10,12,17 Pin	Metal of nut	Zinc Alloy with Nickel Plated
Rated Current	4A max.	Seal	Silicone
Rated voltage	250V max.	Mechanical life	> 100 mating cycles
Insulation resistance	≥100MΩ	For Panel Thickness Max	4.5mm
Contact resistance	≤5mΩ	—	—
Ambient temperature	- 40 ~ +105°C	—	—
IP Class	IP68	—	—

Number of Pins		10 Pin	12 Pin	17 Pin	05 Pin	04 Pin
Coding	Coded	A-Coded	A-Coded	A-Coded	B-Coded	D-Coded
	Front View					
Rated current	A.	1.5A	1.5A	1.5A	4A	4A
Rated voltage	V.	30V	30V	30V	60V	250V
Description	Order NO .	Order NO .	Order NO .	Order NO .	Order NO .	Order NO .
PG9	SP-M12A-10P-MM-SF8001-00AH	SP-M12A-12P-MM-SF8001-00AH	SP-M12A-17P-MM-SF8001-00AH	SP-M12B-05P-MM-SF8001-00AH	SP-M12D-04P-MM-SF8001-00AH	SP-M12D-04P-MM-SF8001-00AH
Customized	.....	.....	.....	.....	.....	.....
M16*1.5	SP-M12A-10P-MM-SF8002-00AH	SP-M12A-12P-MM-SF8002-00AH	SP-M12A-17P-MM-SF8002-00AH	SP-M12B-05P-MM-SF8002-00AH	SP-M12D-04P-MM-SF8002-00AH	SP-M12D-04P-MM-SF8002-00AH
Customized	.....	.....	.....	.....	.....	.....

**Dimension Figure**


M12 x 1 Male Panel Mount Receptacle,  
Front Mounting, Unshielded, PCB Soldering.

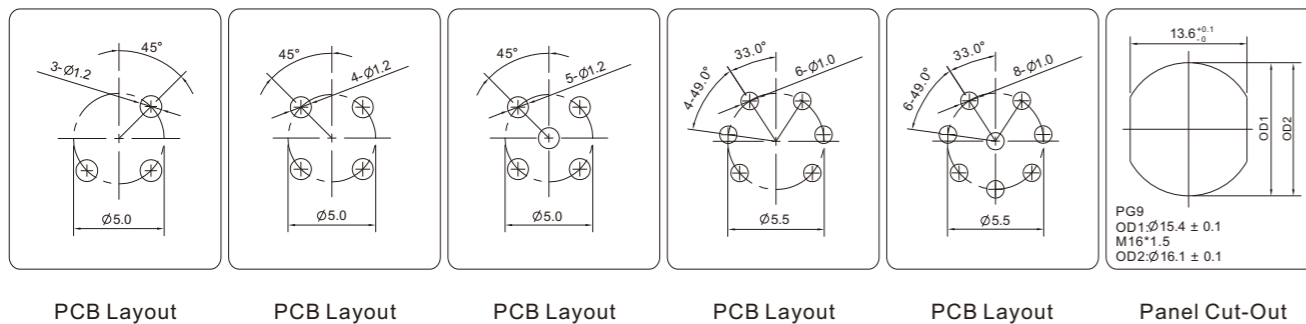


### Technical Data

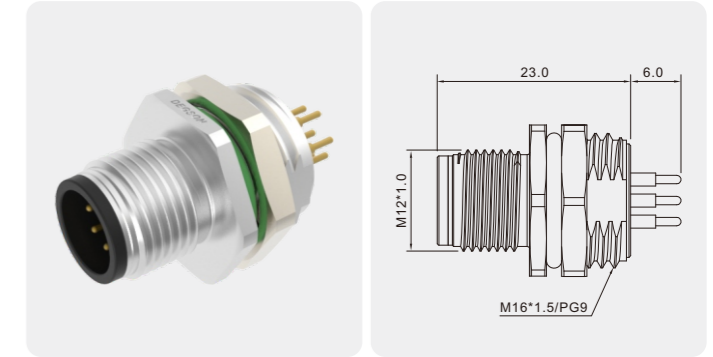
Standard	IEC 61076	Contact carriers material	PA
Series	M12, Male	Contact material	Copper Alloy, Gold-plated
Number of Pins	03,04,05,06,08,10,12,17 Pin	Metal of nut	Zinc Alloy with Nickel Plated
Rated Current	4A max.	Seal	Silicone
Rated voltage	250V max.	Mechanical life	> 100 mating cycles
Insulation resistance	≥100MΩ	For Panel Thickness Max	4.5mm
Contact resistance	≤5mΩ	—	—
Ambient temperature	- 40 ~ + 105°C	—	—
IP Class	IP68	—	—

Number of Pins		03 Pin	04 Pin	05 Pin	06 Pin	08 Pin
Coding	Coded	A-Coded	A-Coded	A-Coded	A-Coded	A-Coded
	Front View					
Rated current	A.	4A	4A	4A	2A	2A
Rated voltage	V.	250V	250V	60V	30V	30V
Description	Order NO .	Order NO .	Order NO .	Order NO .	Order NO .	Order NO .
PG9	SP-M12A-03P-MM-SH8001-00AH	SP-M12A-04P-MM-SH8001-00AH	SP-M12A-05P-MM-SH8001-00AH	SP-M12A-06P-MM-SH8001-00AH	SP-M12A-08P-MM-SH8001-00AH	SP-M12A-08P-MM-SH8001-00AH
Customized	.....	.....	.....	.....	.....	.....
M16*1.5	SP-M12A-03P-MM-SH8002-00AH	SP-M12A-04P-MM-SH8002-00AH	SP-M12A-05P-MM-SH8002-00AH	SP-M12A-06P-MM-SH8002-00AH	SP-M12A-08P-MM-SH8002-00AH	SP-M12A-08P-MM-SH8002-00AH
Customized	.....	.....	.....	.....	.....	.....

### Dimension Figure



M12 x 1 Male Panel Mount Receptacle,  
Front Mounting, Unshielded, PCB Soldering.

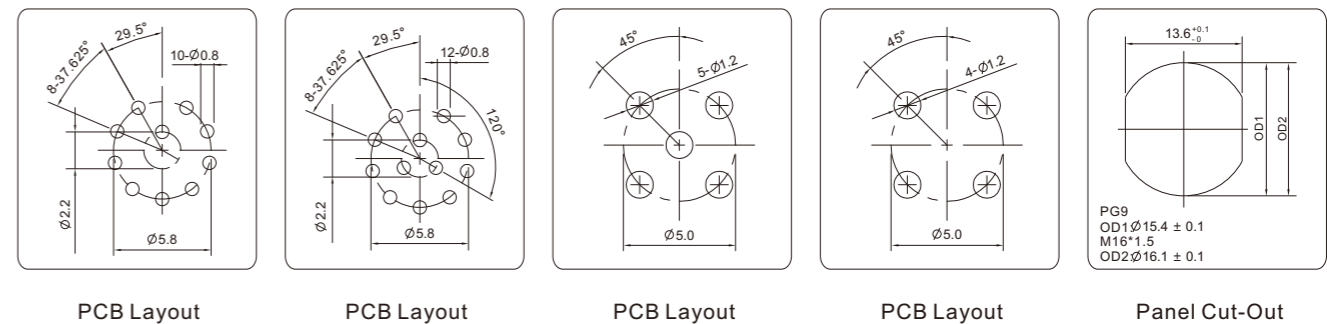


### Technical Data

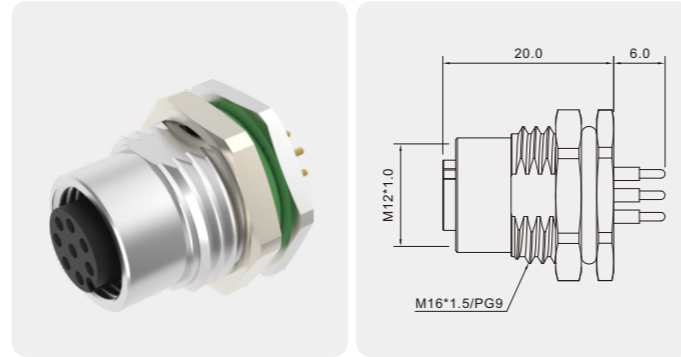
Standard	IEC 61076	Contact carriers material	PA
Series	M12, Male	Contact material	Copper Alloy, Gold-plated
Number of Pins	03,04,05,06,08,10,12,17 Pin	Metal of nut	Zinc Alloy with Nickel Plated
Rated Current	4A max.	Seal	Silicone
Rated voltage	250V max.	Mechanical life	> 100 mating cycles
Insulation resistance	≥100MΩ	For Panel Thickness Max	4.5mm
Contact resistance	≤5mΩ	—	—
Ambient temperature	- 40 ~ + 105°C	—	—
IP Class	IP68	—	—

Number of Pins		10 Pin	12 Pin	17 Pin	05 Pin	04 Pin
Coding	Coded	A-Coded	A-Coded	A-Coded	B-Coded	D-Coded
	Front View					
Rated current	A.	1.5A	1.5A	1.5A	4A	4A
Rated voltage	V.	30V	30V	30V	60V	250V
Description	Order NO .	Order NO .	Order NO .	Order NO .	Order NO .	Order NO .
PG9	SP-M12A-10P-MM-SH8001-00AH	SP-M12A-12P-MM-SH8001-00AH	SP-M12A-17P-MM-SH8001-00AH	SP-M12B-05P-MM-SH8001-00AH	SP-M12D-04P-MM-SH8001-00AH	SP-M12D-04P-MM-SH8001-00AH
Customized	.....	.....	.....	.....	.....	.....
M16*1.5	SP-M12A-10P-MM-SH8002-00AH	SP-M12A-12P-MM-SH8002-00AH	SP-M12A-17P-MM-SH8002-00AH	SP-M12B-05P-MM-SH8002-00AH	SP-M12D-04P-MM-SH8002-00AH	SP-M12D-04P-MM-SH8002-00AH
Customized	.....	.....	.....	.....	.....	.....

### Dimension Figure

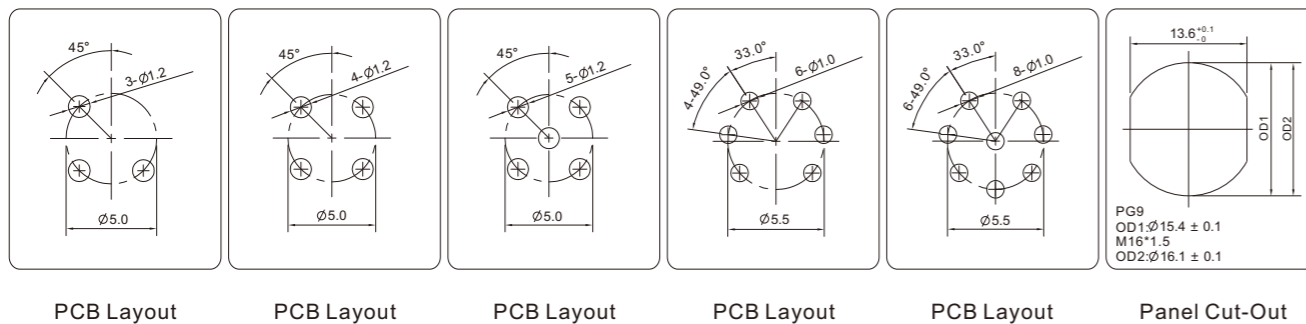


M12 x 1 Female Panel Mount Receptacle,  
Rear Mounting, Unshielded, PCB Soldering.

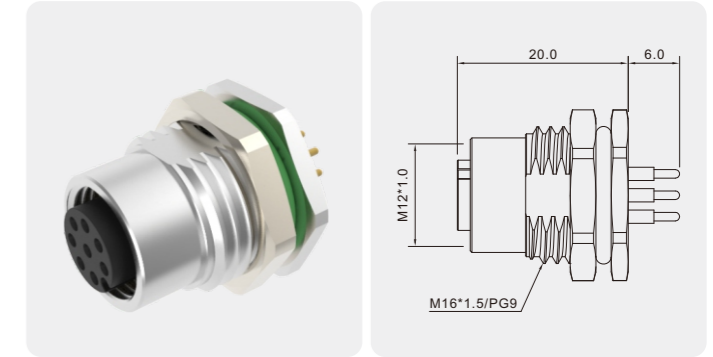

**Technical Data**

Standard	IEC 61076	Contact carriers material	PA
Series	M12, Female	Contact material	Copper Alloy, Gold-plated
Number of Pins	03,04,05,06,08,10,12,17 Pin	Metal of nut	Zinc Alloy with Nickel Plated
Rated Current	4A max.	Seal	Silicone
Rated voltage	250V max.	Mechanical life	> 100 mating cycles
Insulation resistance	≥100MΩ	For Panel Thickness Max	4.5mm
Contact resistance	≤5mΩ	—	—
Ambient temperature	- 40 ~ +105°C	—	—
IP Class	IP68	—	—

Number of Pins		03 Pin	04 Pin	05 Pin	06 Pin	08 Pin
Coding	Coded	A-Coded	A-Coded	A-Coded	A-Coded	A-Coded
	Front View					
Rated current	A.	4A	4A	4A	2A	2A
Rated voltage	V.	250V	250V	60V	30V	30V
Description	Order NO .	Order NO .	Order NO .	Order NO .	Order NO .	Order NO .
PG9	SP-M12A-03P-FF-SF8001-00AH	SP-M12A-04P-FF-SF8001-00AH	SP-M12A-05P-FF-SF8001-00AH	SP-M12A-06P-FF-SF8001-00AH	SP-M12A-08P-FF-SF8001-00AH	SP-M12A-08P-FF-SF8001-00AH
Customized	.....	.....	.....	.....	.....	.....
M16*1.5	SP-M12A-03P-FF-SF8002-00AH	SP-M12A-04P-FF-SF8002-00AH	SP-M12A-05P-FF-SF8002-00AH	SP-M12A-06P-FF-SF8002-00AH	SP-M12A-08P-FF-SF8002-00AH	SP-M12A-08P-FF-SF8002-00AH
Customized	.....	.....	.....	.....	.....	.....

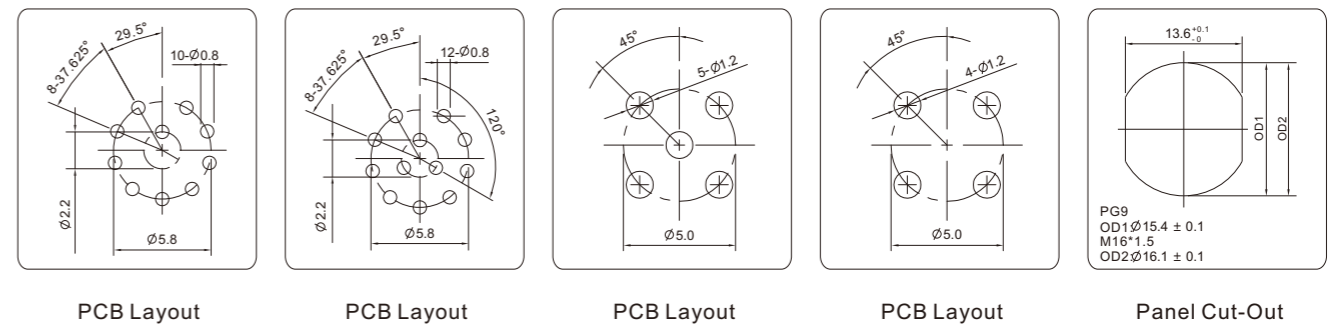
**Dimension Figure**


M12 x 1 Female Panel Mount Receptacle,  
Rear Mounting, Unshielded, PCB Soldering.

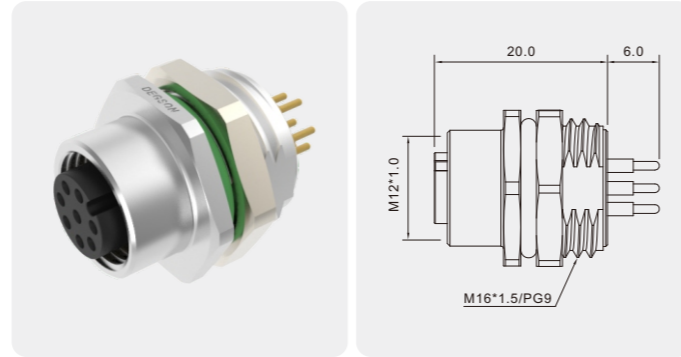

**Technical Data**

Standard	IEC 61076	Contact carriers material	PA
Series	M12, Female	Contact material	Copper Alloy, Gold-plated
Number of Pins	03,04,05,06,08,10,12,17 Pin	Metal of nut	Zinc Alloy with Nickel Plated
Rated Current	4A max.	Seal	Silicone
Rated voltage	250V max.	Mechanical life	> 100 mating cycles
Insulation resistance	≥100MΩ	For Panel Thickness Max	4.5mm
Contact resistance	≤5mΩ	—	—
Ambient temperature	- 40 ~ +105°C	—	—
IP Class	IP68	—	—

Number of Pins		10 Pin	12 Pin	17 Pin	05 Pin	04 Pin
Coding	Coded	A-Coded	A-Coded	A-Coded	B-Coded	D-Coded
	Front View					
Rated current	A.	1.5A	1.5A	1.5A	4A	4A
Rated voltage	V.	30V	30V	30V	60V	250V
Description	Order NO .	Order NO .	Order NO .	Order NO .	Order NO .	Order NO .
PG9	SP-M12A-10P-FF-SF8001-00AH	SP-M12A-12P-FF-SF8001-00AH	SP-M12A-17P-FF-SF8001-00AH	SP-M12B-05P-FF-SF8001-00AH	SP-M12D-04P-FF-SF8001-00AH	SP-M12D-04P-FF-SF8001-00AH
Customized	.....	.....	.....	.....	.....	.....
M16*1.5	SP-M12A-10P-FF-SF8002-00AH	SP-M12A-12P-FF-SF8002-00AH	SP-M12A-17P-FF-SF8002-00AH	SP-M12B-05P-FF-SF8002-00AH	SP-M12D-04P-FF-SF8002-00AH	SP-M12D-04P-FF-SF8002-00AH
Customized	.....	.....	.....	.....	.....	.....

**Dimension Figure**


M12 x 1 Female Panel Mount Receptacle,  
Front Mounting, Unshielded, PCB Soldering.

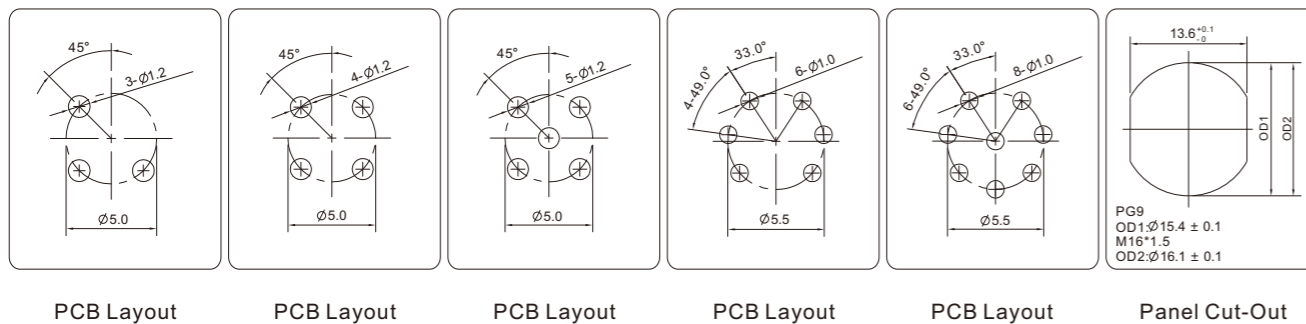


### Technical Data

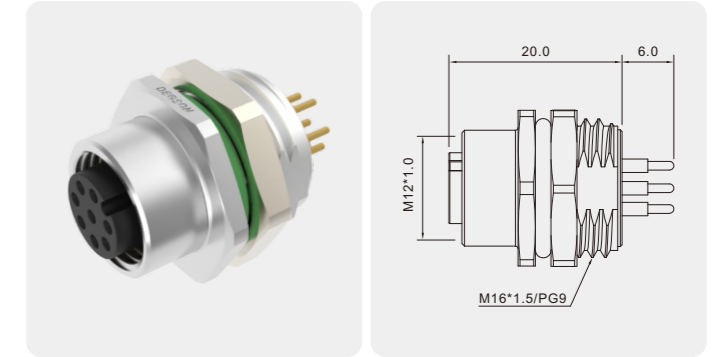
Standard	IEC 61076	Contact carriers material	PA
Series	M12, Female	Contact material	Copper Alloy, Gold-plated
Number of Pins	03,04,05,06,08,10,12,17 Pin	Metal of nut	Zinc Alloy with Nickel Plated
Rated Current	4A max.	Seal	Silicone
Rated voltage	250V max.	Mechanical life	> 100 mating cycles
Insulation resistance	≥100MΩ	For Panel Thickness Max	4.5mm
Contact resistance	≤5mΩ	—	—
Ambient temperature	- 40 ~ +105°C	—	—
IP Class	IP68	—	—

Number of Pins		03 Pin	04 Pin	05 Pin	06 Pin	08 Pin
Coding	Coded	A-Coded	A-Coded	A-Coded	A-Coded	A-Coded
	Front View					
Rated current	A.	4A	4A	4A	2A	2A
Rated voltage	V.	250V	250V	60V	30V	30V
Description	Order NO .	Order NO .	Order NO .	Order NO .	Order NO .	Order NO .
PG9	SP-M12A-03P-FF-SH8001-00AH	SP-M12A-04P-FF-SH8001-00AH	SP-M12A-05P-FF-SH8001-00AH	SP-M12A-06P-FF-SH8001-00AH	SP-M12A-08P-FF-SH8001-00AH	SP-M12A-08P-FF-SH8001-00AH
Customized	.....	.....	.....	.....	.....	.....
M16*1.5	SP-M12A-03P-FF-SH8002-00AH	SP-M12A-04P-FF-SH8002-00AH	SP-M12A-05P-FF-SH8002-00AH	SP-M12A-06P-FF-SH8002-00AH	SP-M12A-08P-FF-SH8002-00AH	SP-M12A-08P-FF-SH8002-00AH
Customized	.....	.....	.....	.....	.....	.....

### Dimension Figure



M12 x 1 Female Panel Mount Receptacle,  
Front Mounting, Unshielded, PCB Soldering.

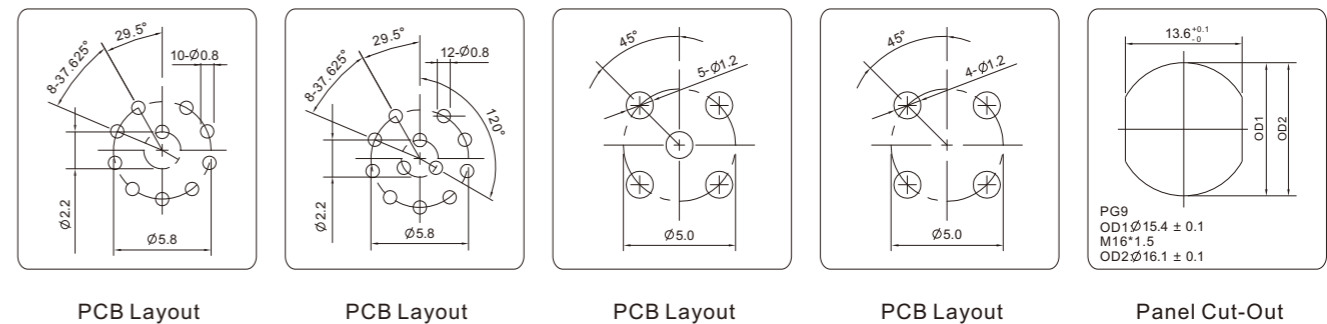


### Technical Data

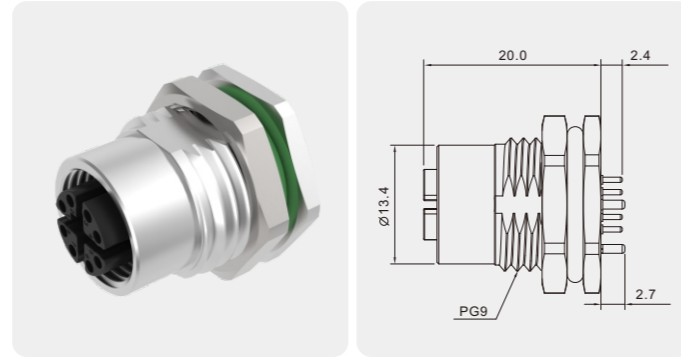
Standard	IEC 61076	Contact carriers material	PA
Series	M12, Female	Contact material	Copper Alloy, Gold-plated
Number of Pins	03,04,05,06,08,10,12,17 Pin	Metal of nut	Zinc Alloy with Nickel Plated
Rated Current	4A max.	Seal	Silicone
Rated voltage	250V max.	Mechanical life	> 100 mating cycles
Insulation resistance	≥100MΩ	For Panel Thickness Max	4.5mm
Contact resistance	≤5mΩ	—	—
Ambient temperature	- 40 ~ +105°C	—	—
IP Class	IP68	—	—

Number of Pins		10 Pin	12 Pin	17 Pin	05 Pin	04 Pin
Coding	Coded	A-Coded	A-Coded	A-Coded	B-Coded	D-Coded
	Front View					
Rated current	A.	1.5A	1.5A	1.5A	4A	4A
Rated voltage	V.	30V	30V	30V	60V	250V
Description	Order NO .	Order NO .	Order NO .	Order NO .	Order NO .	Order NO .
PG9	SP-M12A-10P-FF-SH8001-00AH	SP-M12A-12P-FF-SH8001-00AH	SP-M12A-17P-FF-SH8001-00AH	SP-M12B-05P-FF-SH8001-00AH	SP-M12D-04P-FF-SH8001-00AH	SP-M12D-04P-FF-SH8001-00AH
Customized	.....	.....	.....	.....	.....	.....
M16*1.5	SP-M12A-10P-FF-SH8002-00AH	SP-M12A-12P-FF-SH8002-00AH	SP-M12A-17P-FF-SH8002-00AH	SP-M12B-05P-FF-SH8002-00AH	SP-M12D-04P-FF-SH8002-00AH	SP-M12D-04P-FF-SH8002-00AH
Customized	.....	.....	.....	.....	.....	.....

### Dimension Figure

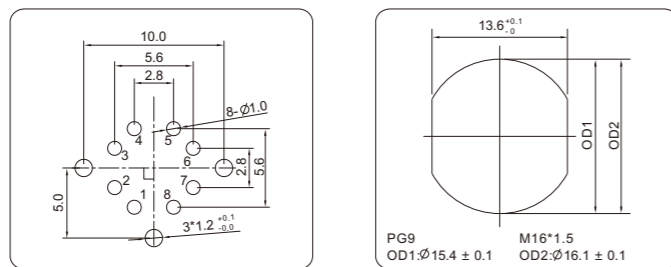


M12 x 1 Female Panel Mount Receptacle,  
Rear Mounting,Shielded,PCB Soldering.


**Technical Data**

Standard	IEC 61076	Contact carriers material	PA
Series	M12, Male	Contact material	Copper Alloy, Gold-plated
Number of Pins	08 Pin	Metal of nut	Zinc Alloy with Nickel Plated
Rated Current	0.5A max.	Seal	Silicone
Rated voltage	50V AC / 60V DC	Mechanical life	> 100 mating cycles
Insulation resistance	≥100MΩ	For Panel Thickness Max	4.5mm
Contact resistance	≤5mΩ	—	—
Ambient temperature	- 20 ~ + 105°C	—	—
IP Class	IP67	—	—

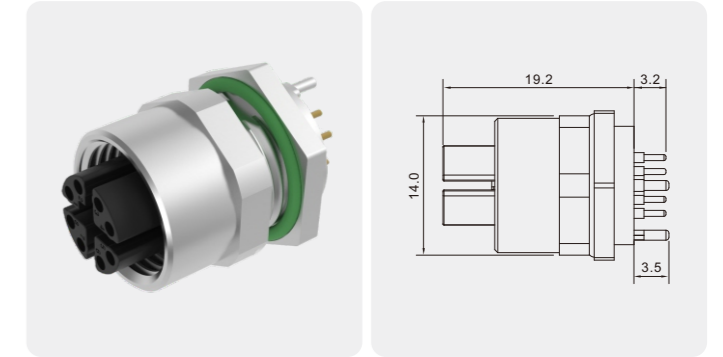
Number of Pins		08 Pin
Coding	Coded	X-Coded
	Front View	
Rated current	A.	0.5A
Rated voltage	V.	50V AC / 60V DC
Description		Order NO .
PG9		SPSH-M12X-08P-FF-SF7001-00AH
Customized		.....
M16*1.5		SPSH-M12X-08P-FF-SF7002-00AH
Customized		.....

**Dimension Figure**


PCB Layout

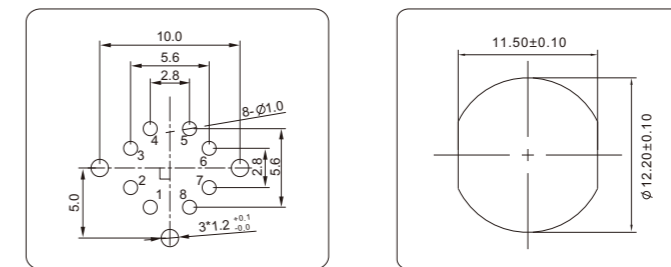
Panel Cut-Out

M12 x 1 Female Panel Mount Receptacle,  
Rear Mounting,Shielded,PCB Soldering.


**Technical Data**

Standard	IEC 61076	Contact carriers material	PA
Series	M12, Female	Contact material	Copper Alloy, Gold-plated
Number of Pins	08 Pin	Metal of nut	Zinc Alloy with Nickel Plated
Rated Current	0.5A max.	Seal	Silicone
Rated voltage	50V AC / 60V DC	Mechanical life	> 100 mating cycles
Insulation resistance	≥100MΩ	For Panel Thickness Max	4.5mm
Contact resistance	≤5mΩ	—	—
Ambient temperature	- 20 ~ + 105°C	—	—
IP Class	IP67	—	—

Number of Pins		08 Pin
Coding	Coded	X-Coded
	Front View	
Rated current	A.	0.5A
Rated voltage	V.	50V AC / 60V DC
Description		Order NO .
M12*1.0		SPSH-M12X-08P-FF-SF7003-00AH
Customized		.....

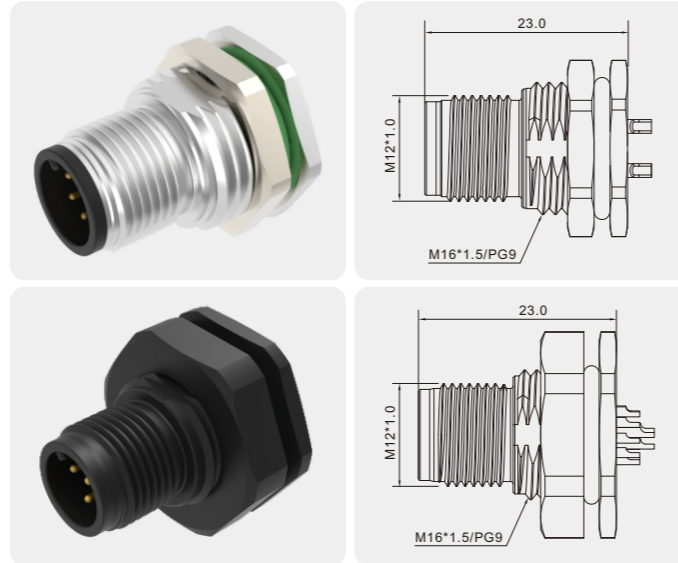
**Dimension Figure**


PCB Layout

Panel Cut-Out

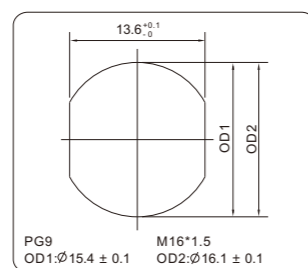


M12 x 1 Male Panel Mount Receptacle, Rear Mounting, Unshielded, Soldering without wire.


**Technical Data**

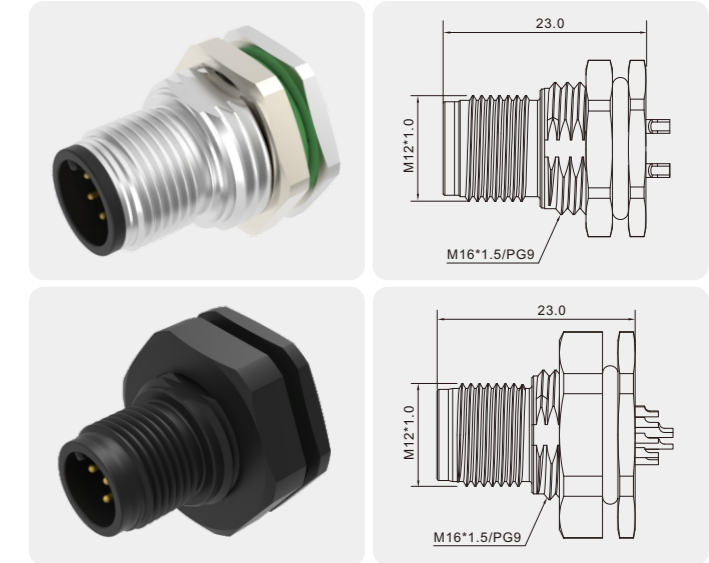
Standard	IEC 61076	Contact carriers material	PA
Series	M12, Male	Contact material	Copper Alloy, Gold-plated
Number of Pins	03,04,05,06,08,10,12,17 Pin	Metal shell	Zinc Alloy with Nickel Plated
Rated Current	4A max.	Plastic shell	PA
Rated voltage	250V max.	Seal	Silicone
Insulation resistance	≥100MΩ	Mechanical life	> 100 mating cycles
Contact resistance	≤5mΩ	For Panel Thickness Max	4.5mm ( Metal shell) 3.0mm ( Plastic shell)
Ambient temperature	- 40 ~ +105°C (Metal shell) / -25 ~ +80°C (Plastic shell)		
IP Class	IP68		

Number of Pins		03 Pin	04 Pin	05 Pin	06 Pin	08 Pin
Coding	Coded	A-Coded	A-Coded	A-Coded	A-Coded	A-Coded
	Front View					
Rated current	A.	4A	4A	4A	2A	2A
Rated voltage	V.	250V	250V	60V	30V	30V
Description		Order NO .	Order NO .	Order NO .	Order NO .	Order NO .
PG9	Metal shell	SD-M12A-03P-MM-SF8001-00AH	SD-M12A-04P-MM-SF8001-00AH	SD-M12A-05P-MM-SF8001-00AH	SD-M12A-06P-MM-SF8001-00AH	SD-M12A-08P-MM-SF8001-00AH
	Plastic shell	SD-M12A-03P-MM-SF8007-00AH	SD-M12A-04P-MM-SF8007-00AH	SD-M12A-05P-MM-SF8007-00AH	SD-M12A-06P-MM-SF8007-00AH	SD-M12A-08P-MM-SF8007-00AH
	Customized	.....	.....	.....	.....	.....
M16*1.5	Metal shell	SD-M12A-03P-MM-SF8002-00AH	SD-M12A-04P-MM-SF8002-00AH	SD-M12A-05P-MM-SF8002-00AH	SD-M12A-06P-MM-SF8002-00AH	SD-M12A-08P-MM-SF8002-00AH
	Plastic shell	SD-M12A-03P-MM-SF8008-00AH	SD-M12A-04P-MM-SF8008-00AH	SD-M12A-05P-MM-SF8008-00AH	SD-M12A-06P-MM-SF8008-00AH	SD-M12A-08P-MM-SF8008-00AH
	Customized	.....	.....	.....	.....	.....

**Dimension Figure**


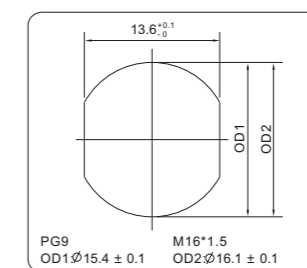
Panel Cut-Out

M12 x 1 Male Panel Mount Receptacle, Rear Mounting, Unshielded, Soldering without wire.


**Technical Data**

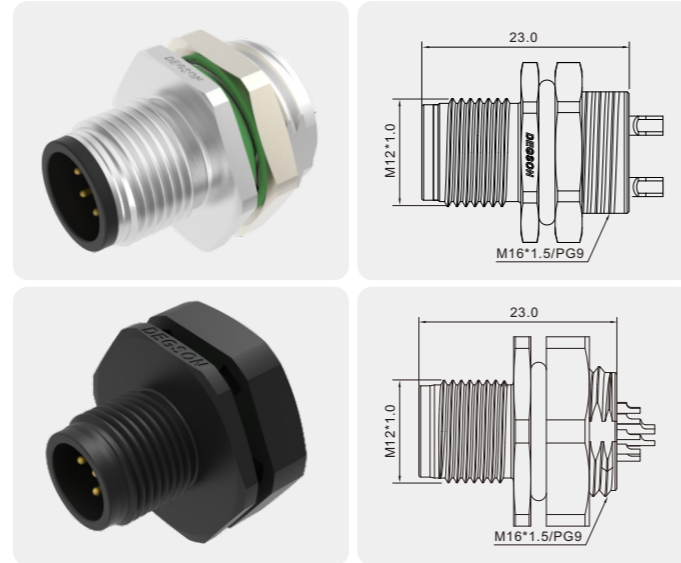
Standard	IEC 61076	Contact carriers material	PA
Series	M12, Male	Contact material	Copper Alloy, Gold-plated
Number of Pins	03,04,05,06,08,10,12,17 Pin	Metal shell	Zinc Alloy with Nickel Plated
Rated Current	4A max.	Plastic shell	PA
Rated voltage	250V max.	Seal	Silicone
Insulation resistance	≥100MΩ	Mechanical life	> 100 mating cycles
Contact resistance	≤5mΩ	For Panel Thickness Max	4.5mm ( Metal shell) 3.0mm ( Plastic shell)
Ambient temperature	- 40 ~ +105°C (Metal shell) / -25 ~ +80°C (Plastic shell)		
IP Class	IP68		

Number of Pins		10 Pin	12 Pin	17 Pin	05 Pin	04 Pin
Coding	Coded	A-Coded	A-Coded	A-Coded	B-Coded	D-Coded
	Front View					
Rated current	A.	1.5A	1.5A	1.5A	4A	4A
Rated voltage	V.	30V	30V	30V	60V	250V
Description		Order NO .	Order NO .	Order NO .	Order NO .	Order NO .
PG9	Metal shell	SD-M12A-10P-MM-SF8001-00AH	SD-M12A-12P-MM-SF8001-00AH	SD-M12A-17P-MM-SF8001-00AH	SD-M12B-05P-MM-SF8001-00AH	SD-M12D-04P-MM-SF8001-00AH
	Plastic shell	SD-M12A-10P-MM-SF8007-00AH	SD-M12A-12P-MM-SF8007-00AH	SD-M12A-17P-MM-SF8007-00AH	SD-M12B-05P-MM-SF8007-00AH	SD-M12D-04P-MM-SF8007-00AH
	Customized	.....	.....	.....	.....	.....
M16*1.5	Metal shell	SD-M12A-10P-MM-SF8002-00AH	SD-M12A-12P-MM-SF8002-00AH	SD-M12A-17P-MM-SF8002-00AH	SD-M12B-05P-MM-SF8002-00AH	SD-M12D-04P-MM-SF8002-00AH
	Plastic shell	SD-M12A-10P-MM-SF8008-00AH	SD-M12A-12P-MM-SF8008-00AH	SD-M12A-17P-MM-SF8008-00AH	SD-M12B-05P-MM-SF8008-00AH	SD-M12D-04P-MM-SF8008-00AH
	Customized	.....	.....	.....	.....	.....

**Dimension Figure**


Panel Cut-Out

M12 x 1 Male Panel Mount Receptacle, Front Mounting, Unshielded, Soldering without wire.

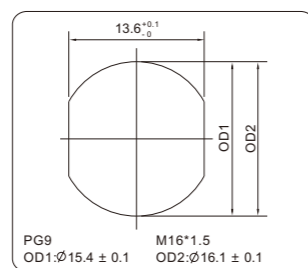


### Technical Data

Standard	IEC 61076	Contact carriers material	PA
Series	M12, Male	Contact material	Copper Alloy, Gold-plated
Number of Pins	03,04,05,06,08,10,12,17 Pin	Metal shell	Zinc Alloy with Nickel Plated
Rated Current	4A max.	Plastic shell	PA
Rated voltage	250V max.	Seal	Silicone
Insulation resistance	≥100MΩ	Mechanical life	> 100 mating cycles
Contact resistance	≤5mΩ	For Panel Thickness Max	4.5mm ( Metal shell) 3.0mm ( Plastic shell)
Ambient temperature	- 40 ~ +105°C (Metal shell) / -25 ~ +80°C (Plastic shell)		
IP Class	IP68		

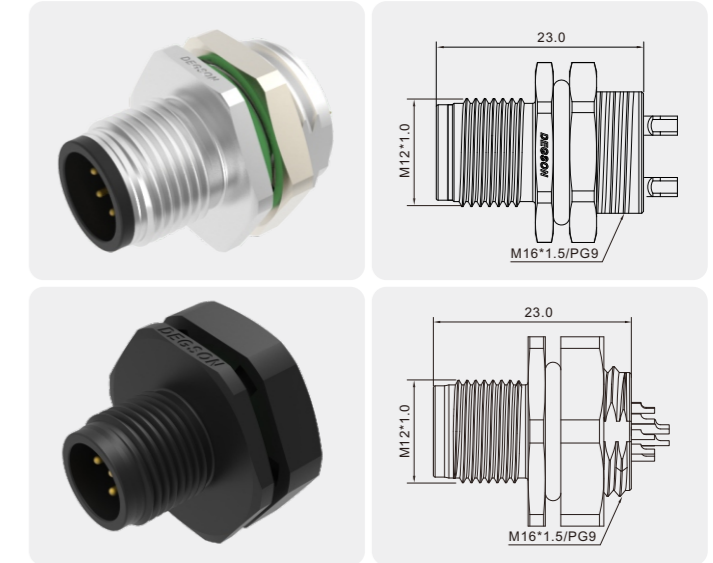
Number of Pins		03 Pin	04 Pin	05 Pin	06 Pin	08 Pin
Coding	Coded	A-Coded	A-Coded	A-Coded	A-Coded	A-Coded
	Front View					
Rated current	A.	4A	4A	4A	2A	2A
Rated voltage	V.	250V	250V	60V	30V	30V
Description		Order NO .	Order NO .	Order NO .	Order NO .	Order NO .
PG9	Metal shell	SD-M12A-03P-MM-SH8001-00AH	SD-M12A-04P-MM-SH8001-00AH	SD-M12A-05P-MM-SH8001-00AH	SD-M12A-06P-MM-SH8001-00AH	SD-M12A-08P-MM-SH8001-00AH
	Plastic shell	SD-M12A-03P-MM-SH8007-00AH	SD-M12A-04P-MM-SH8007-00AH	SD-M12A-05P-MM-SH8007-00AH	SD-M12A-06P-MM-SH8007-00AH	SD-M12A-08P-MM-SH8007-00AH
	Customized	.....	.....	.....	.....	.....
M16*1.5	Metal shell	SD-M12A-03P-MM-SH8002-00AH	SD-M12A-04P-MM-SH8002-00AH	SD-M12A-05P-MM-SH8002-00AH	SD-M12A-06P-MM-SH8002-00AH	SD-M12A-08P-MM-SH8002-00AH
	Plastic shell	SD-M12A-03P-MM-SH8008-00AH	SD-M12A-04P-MM-SH8008-00AH	SD-M12A-05P-MM-SH8008-00AH	SD-M12A-06P-MM-SH8008-00AH	SD-M12A-08P-MM-SH8008-00AH
	Customized	.....	.....	.....	.....	.....

### Dimension Figure



Panel Cut-Out

M12 x 1 Male Panel Mount Receptacle, Front Mounting, Unshielded, Soldering without wire.

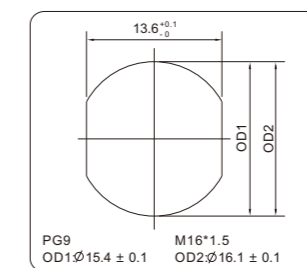


### Technical Data

Standard	IEC 61076	Contact carriers material	PA
Series	M12, Male	Contact material	Copper Alloy, Gold-plated
Number of Pins	03,04,05,06,08,10,12,17 Pin	Metal shell	Zinc Alloy with Nickel Plated
Rated Current	4A max.	Plastic shell	PA
Rated voltage	250V max.	Seal	Silicone
Insulation resistance	≥100MΩ	Mechanical life	> 100 mating cycles
Contact resistance	≤5mΩ	For Panel Thickness Max	4.5mm ( Metal shell) 3.0mm ( Plastic shell)
Ambient temperature	- 40 ~ +105°C (Metal shell) / -25 ~ +80°C (Plastic shell)		
IP Class	IP68		

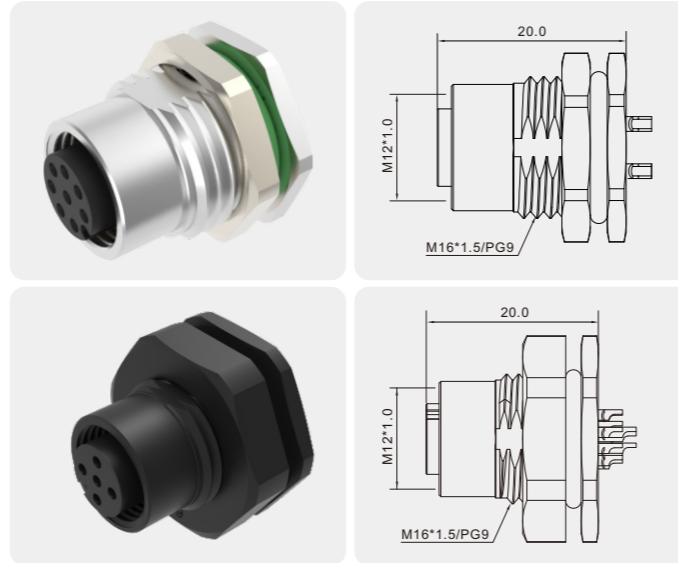
Number of Pins		10 Pin	12 Pin	17 Pin	05 Pin	04 Pin
Coding	Coded	A-Coded	A-Coded	A-Coded	B-Coded	D-Coded
	Front View					
Rated current	A.	1.5A	1.5A	1.5A	4A	4A
Rated voltage	V.	30V	30V	30V	60V	250V
Description		Order NO .	Order NO .	Order NO .	Order NO .	Order NO .
PG9	Metal shell	SD-M12A-10P-MM-SH8001-00AH	SD-M12A-12P-MM-SH8001-00AH	SD-M12A-17P-MM-SH8001-00AH	SD-M12B-05P-MM-SH8001-00AH	SD-M12D-04P-MM-SH8001-00AH
	Plastic shell	SD-M12A-10P-MM-SH8007-00AH	SD-M12A-12P-MM-SH8007-00AH	SD-M12A-17P-MM-SH8007-00AH	SD-M12B-05P-MM-SH8007-00AH	SD-M12D-04P-MM-SH8007-00AH
	Customized	.....	.....	.....	.....	.....
M16*1.5	Metal shell	SD-M12A-10P-MM-SH8002-00AH	SD-M12A-12P-MM-SH8002-00AH	SD-M12A-17P-MM-SH8002-00AH	SD-M12B-05P-MM-SH8002-00AH	SD-M12D-04P-MM-SH8002-00AH
	Plastic shell	SD-M12A-10P-MM-SH8008-00AH	SD-M12A-12P-MM-SH8008-00AH	SD-M12A-17P-MM-SH8008-00AH	SD-M12B-05P-MM-SH8008-00AH	SD-M12D-04P-MM-SH8008-00AH
	Customized	.....	.....	.....	.....	.....

### Dimension Figure



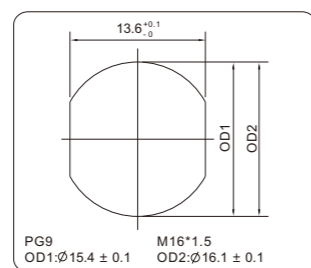
Panel Cut-Out

M12 x 1 Female Panel Mount Receptacle,  
Rear Mounting, Unshielded, Soldering  
without wire.


**Technical Data**

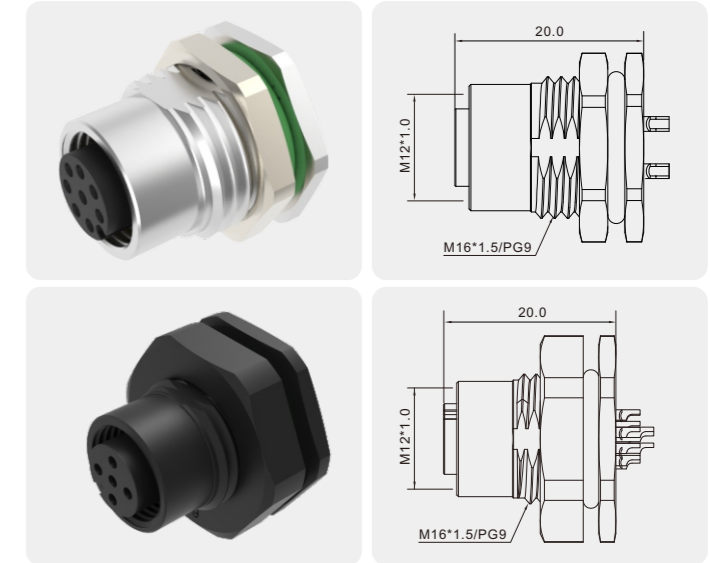
Standard	IEC 61076	Contact carriers material	PA
Series	M12, Female	Contact material	Copper Alloy, Gold-plated
Number of Pins	03,04,05,06,08,10,12,17Pin	Metal shell	Zinc Alloy with Nickel Plated
Rated Current	4A max.	Plastic shell	PA
Rated voltage	250V max.	Seal	Silicone
Insulation resistance	≥100MΩ	Mechanical life	> 100 mating cycles
Contact resistance	≤5mΩ	For Panel Thickness Max	4.5mm ( Metal shell) 3.0mm ( Plastic shell)
Ambient temperature	- 40 ~ +105°C (Metal shell) / -25~ +80°C (Plastic shell)		
IP Class	IP68		

Number of Pins		03 Pin	04 Pin	05 Pin	06 Pin	08 Pin
Coding	Coded	A-Coded	A-Coded	A-Coded	A-Coded	A-Coded
	Front View					
Rated current	A.	4A	4A	4A	2A	2A
Rated voltage	V.	250V	250V	60V	30V	30V
Description		Order NO .	Order NO .	Order NO .	Order NO .	Order NO .
PG9	Metal shell	SD-M12A-03P-FF-SF8001-00AH	SD-M12A-04P-FF-SF8001-00AH	SD-M12A-05P-FF-SF8001-00AH	SD-M12A-06P-FF-SF8001-00AH	SD-M12A-08P-FF-SF8001-00AH
	Plastic shell	SD-M12A-03P-FF-SF8007-00AH	SD-M12A-04P-FF-SF8007-00AH	SD-M12A-05P-FF-SF8007-00AH	SD-M12A-06P-FF-SF8007-00AH	SD-M12A-08P-FF-SF8007-00AH
	Customized	.....	.....	.....	.....	.....
M16*1.5	Metal shell	SD-M12A-03P-FF-SF8002-00AH	SD-M12A-04P-FF-SF8002-00AH	SD-M12A-05P-FF-SF8002-00AH	SD-M12A-06P-FF-SF8002-00AH	SD-M12A-08P-FF-SF8002-00AH
	Plastic shell	SD-M12A-03P-FF-SF8008-00AH	SD-M12A-04P-FF-SF8008-00AH	SD-M12A-05P-FF-SF8008-00AH	SD-M12A-06P-FF-SF8008-00AH	SD-M12A-08P-FF-SF8008-00AH
	Customized	.....	.....	.....	.....	.....

**Dimension Figure**


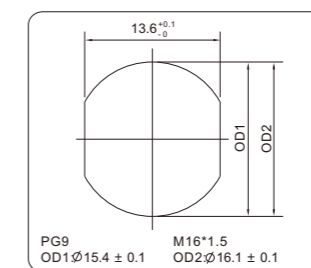
Panel Cut-Out

M12 x 1 Female Panel Mount Receptacle,  
Rear Mounting, Unshielded, Soldering  
without wire.


**Technical Data**

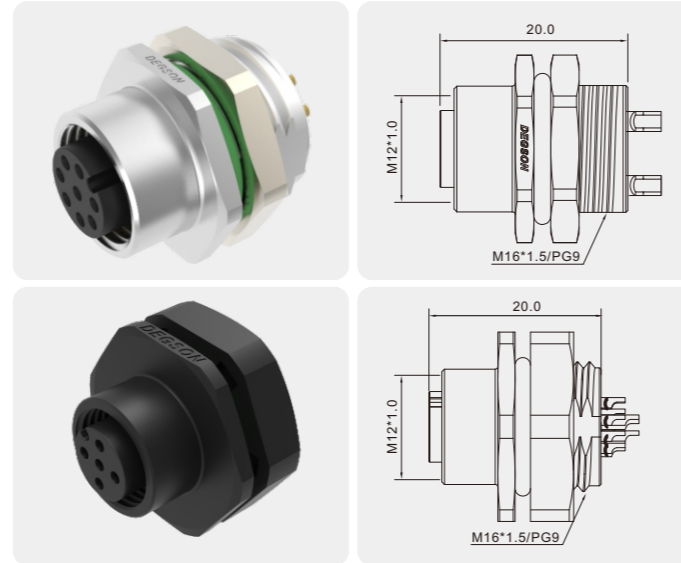
Standard	IEC 61076	Contact carriers material	PA
Series	M12, Female	Contact material	Copper Alloy, Gold-plated
Number of Pins	03,04,05,06,08,10,12,17 Pin	Metal shell	Zinc Alloy with Nickel Plated
Rated Current	4A max.	Plastic shell	PA
Rated voltage	250V max.	Seal	Silicone
Insulation resistance	≥100MΩ	Mechanical life	> 100 mating cycles
Contact resistance	≤5mΩ	For Panel Thickness Max	4.5mm ( Metal shell) 3.0mm ( Plastic shell)
Ambient temperature	- 40 ~ +105°C (Metal shell) / -25~ +80°C (Plastic shell)		
IP Class	IP68		

Number of Pins		10 Pin	12 Pin	17 Pin	05 Pin	04 Pin
Coding	Coded	A-Coded	A-Coded	A-Coded	B-Coded	D-Coded
	Front View					
Rated current	A.	1.5A	1.5A	1.5A	4A	4A
Rated voltage	V.	30V	30V	30V	60V	250V
Description		Order NO .	Order NO .	Order NO .	Order NO .	Order NO .
PG9	Metal shell	SD-M12A-10P-FF-SF8001-00AH	SD-M12A-12P-FF-SF8001-00AH	SD-M12A-17P-FF-SF8001-00AH	SD-M12B-05P-FF-SF8001-00AH	SD-M12D-04P-FF-SF8001-00AH
	Plastic shell	SD-M12A-10P-FF-SF8007-00AH	SD-M12A-12P-FF-SF8007-00AH	SD-M12A-17P-FF-SF8007-00AH	SD-M12B-05P-FF-SF8007-00AH	SD-M12D-04P-FF-SF8007-00AH
	Customized	.....	.....	.....	.....	.....
M16*1.5	Metal shell	SD-M12A-10P-FF-SF8002-00AH	SD-M12A-12P-FF-SF8002-00AH	SD-M12A-17P-FF-SF8002-00AH	SD-M12B-05P-FF-SF8002-00AH	SD-M12D-04P-FF-SF8002-00AH
	Plastic shell	SD-M12A-10P-FF-SF8008-00AH	SD-M12A-12P-FF-SF8008-00AH	SD-M12A-17P-FF-SF8008-00AH	SD-M12B-05P-FF-SF8008-00AH	SD-M12D-04P-FF-SF8008-00AH
	Customized	.....	.....	.....	.....	.....

**Dimension Figure**


Panel Cut-Out

M12 x 1 Female Panel Mount Receptacle, Front Mounting, Unshielded, Soldering without wire.

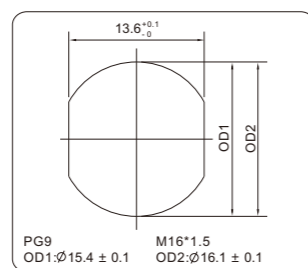


#### Technical Data

Standard	IEC 61076	Contact carriers material	PA
Series	M12, Female	Contact material	Copper Alloy, Gold-plated
Number of Pins	03,04,05,06,08,10,12,17 Pin	Metal shell	Zinc Alloy with Nickel Plated
Rated Current	4A max.	Plastic shell	PA
Rated voltage	250V max.	Seal	Silicone
Insulation resistance	≥100MΩ	Mechanical life	> 100 mating cycles
Contact resistance	≤5mΩ	For Panel Thickness Max	4.5mm ( Metal shell) 3.0mm ( Plastic shell)
Ambient temperature	- 40 ~ +105°C (Metal shell) / -25~ +80°C (Plastic shell)		
IP Class	IP68		

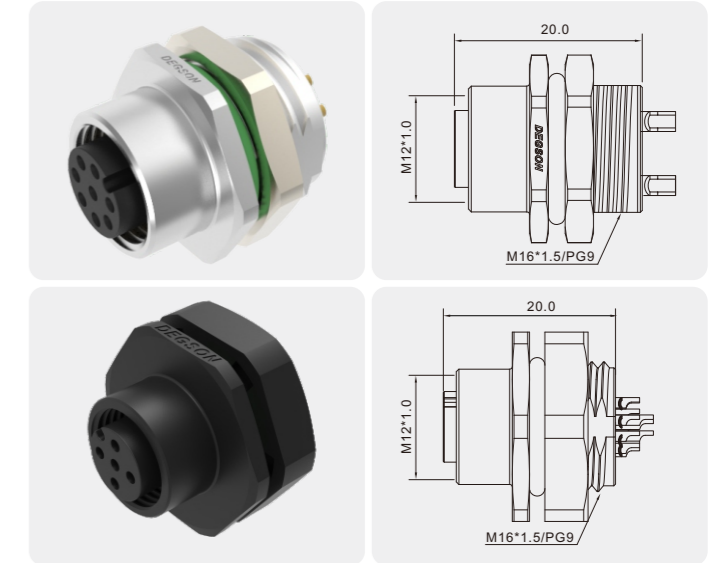
Number of Pins		03 Pin	04 Pin	05 Pin	06 Pin	08 Pin
Coding	Coded	A-Coded	A-Coded	A-Coded	A-Coded	A-Coded
	Front View					
Rated current	A.	4A	4A	4A	2A	2A
Rated voltage	V.	250V	250V	60V	30V	30V
Description		Order NO .	Order NO .	Order NO .	Order NO .	Order NO .
PG9	Metal shell	SD-M12A-03P-FF-SH8001-00AH	SD-M12A-04P-FF-SH8001-00AH	SD-M12A-05P-FF-SH8001-00AH	SD-M12A-06P-FF-SH8001-00AH	SD-M12A-08P-FF-SH8001-00AH
	Plastic shell	SD-M12A-03P-FF-SH8007-00AH	SD-M12A-04P-FF-SH8007-00AH	SD-M12A-05P-FF-SH8007-00AH	SD-M12A-06P-FF-SH8007-00AH	SD-M12A-08P-FF-SH8007-00AH
	Customized	.....	.....	.....	.....	.....
M16*1.5	Metal shell	SD-M12A-03P-FF-SH8002-00AH	SD-M12A-04P-FF-SH8002-00AH	SD-M12A-05P-FF-SH8002-00AH	SD-M12A-06P-FF-SH8002-00AH	SD-M12A-08P-FF-SH8002-00AH
	Plastic shell	SD-M12A-03P-FF-SH8002-00AH	SD-M12A-04P-FF-SH8008-00AH	SD-M12A-05P-FF-SH8008-00AH	SD-M12A-06P-FF-SH8008-00AH	SD-M12A-08P-FF-SH8008-00AH
	Customized	.....	.....	.....	.....	.....

#### Dimension Figure



Panel Cut-Out

M12 x 1 Female Panel Mount Receptacle, Front Mounting, Unshielded, Soldering without wire.

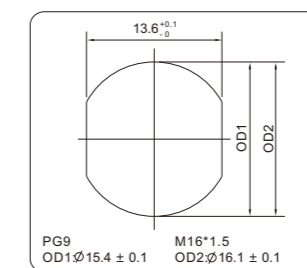


#### Technical Data

Standard	IEC 61076	Contact carriers material	PA
Series	M12, Female	Contact material	Copper Alloy, Gold-plated
Number of Pins	03,04,05,06,08,10,12,17 Pin	Metal shell	Zinc Alloy with Nickel Plated
Rated Current	4A max.	Plastic shell	PA
Rated voltage	250V max.	Seal	Silicone
Insulation resistance	≥100MΩ	Mechanical life	> 100 mating cycles
Contact resistance	≤5mΩ	For Panel Thickness Max	4.5mm ( Metal shell) 3.0mm ( Plastic shell)
Ambient temperature	- 40 ~ +105°C (Metal shell) / -25~ +80°C (Plastic shell)		
IP Class	IP68		

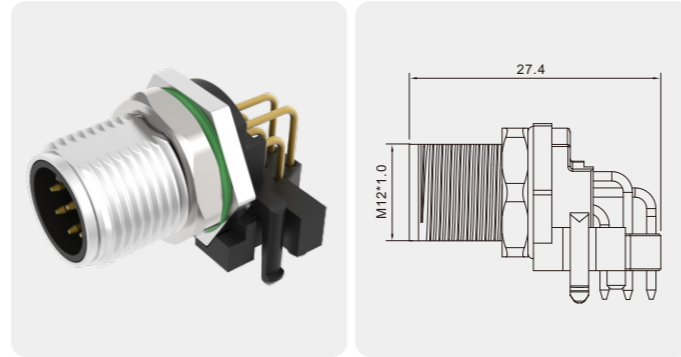
Number of Pins		10 Pin	12 Pin	17 Pin	05 Pin	04 Pin
Coding	Coded	A-Coded	A-Coded	A-Coded	B-Coded	D-Coded
	Front View					
Rated current	A.	1.5A	1.5A	1.5A	4A	4A
Rated voltage	V.	30V	30V	30V	60V	250V
Description		Order NO .	Order NO .	Order NO .	Order NO .	Order NO .
PG9	Metal shell	SD-M12A-10P-FF-SH8001-00AH	SD-M12A-12P-FF-SH8001-00AH	SD-M12A-17P-FF-SH8001-00AH	SD-M12B-05P-FF-SH8001-00AH	SD-M12D-04P-FF-SH8001-00AH
	Plastic shell	SD-M12A-10P-FF-SH8007-00AH	SD-M12A-12P-FF-SH8007-00AH	SD-M12A-17P-FF-SH8007-00AH	SD-M12B-05P-FF-SH8007-00AH	SD-M12D-04P-FF-SH8007-00AH
	Customized	.....	.....	.....	.....	.....
M16*1.5	Metal shell	SD-M12A-10P-FF-SH8002-00AH	SD-M12A-12P-FF-SH8002-00AH	SD-M12A-17P-FF-SH8002-00AH	SD-M12B-05P-FF-SH8002-00AH	SD-M12D-04P-FF-SH8002-00AH
	Plastic shell	SD-M12A-10P-FF-SH8008-00AH	SD-M12A-12P-FF-SH8008-00AH	SD-M12A-17P-FF-SH8008-00AH	SD-M12B-05P-FF-SH8008-00AH	SD-M12D-04P-FF-SH8008-00AH
	Customized	.....	.....	.....	.....	.....

#### Dimension Figure



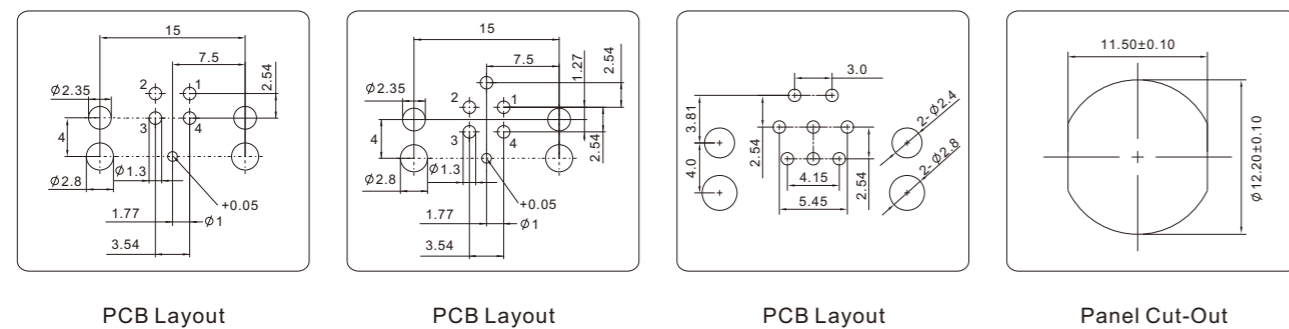
Panel Cut-Out

M12 x 1 Male Panel Mount Receptacle,  
Rear Mounting, Unshielded, PCB Soldering.


**Technical Data**

Standard	IEC 61076	Contact carriers material	PA
Series	M12, Male	Contact material	Copper Alloy, Gold-plated
Number of Pins	03,04,05,06,08 Pin	Metal of nut	Zinc Alloy with Nickel Plated
Rated Current	4A max.	Seal	Silicone
Rated voltage	250V max.	Mechanical life	> 100 mating cycles
Insulation resistance	≥100MΩ	For Panel Thickness Max	4.5mm
Contact resistance	≤5mΩ	—	—
Ambient temperature	- 40 ~ +105°C	—	—
IP Class	IP67	—	—

Number of Pins		04 Pin		05 Pin		08 Pin
Coding	Coded	A-Coded	D-Coded	A-Coded	B-Coded	A-Coded
	Front View					
Rated current	A.	4A	4A	4A	4A	2A
Rated voltage	V.	250V	250V	60V	60V	30V
Description	Order NO .	Order NO .	Order NO .	Order NO .	Order NO .	Order NO .
M12*1.0	SR-M12A-04P-MM-SF7003-00AH	SR-M12D-04P-MM-SF7003-00AH	SR-M12A-05P-MM-SF7003-00AH	SR-M12B-05P-MM-SF7003-00AH	SR-M12A-08P-MM-SF7003-00AH	
Customized	.....	.....	.....	.....	.....	.....

**Dimension Figure**


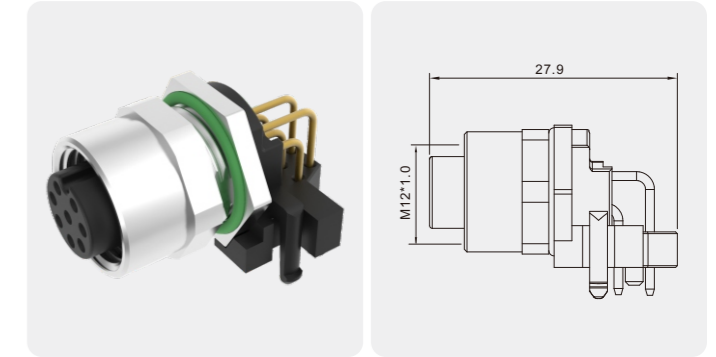
PCB Layout

PCB Layout

PCB Layout

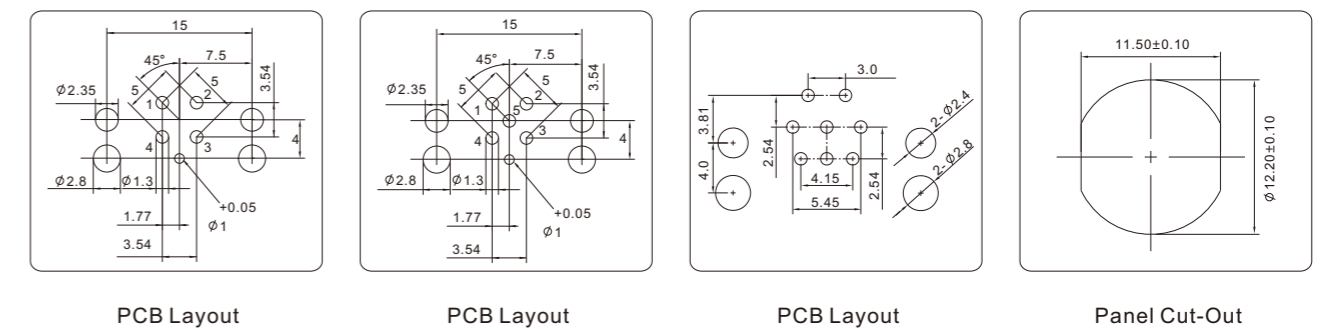
Panel Cut-Out

M12 x 1 Female Panel Mount Receptacle,  
Rear Mounting, Unshielded, PCB Soldering.


**Technical Data**

Standard	IEC 61076	Contact carriers material	PA
Series	M12, Female	Contact material	Copper Alloy, Gold-plated
Number of Pins	03,04,05,06,08 Pin	Metal of nut	Zinc Alloy with Nickel Plated
Rated Current	4A max.	Seal	Silicone
Rated voltage	250V max.	Mechanical life	> 100 mating cycles
Insulation resistance	≥100MΩ	For Panel Thickness Max	4.5mm
Contact resistance	≤5mΩ	—	—
Ambient temperature	- 40 ~ +105°C	—	—
IP Class	IP67	—	—

Number of Pins		04 Pin		05 Pin		08 Pin
Coding	Coded	A-Coded	D-Coded	A-Coded	B-Coded	A-Coded
	Front View					
Rated current	A.	4A	4A	4A	4A	2A
Rated voltage	V.	250V	250V	60V	60V	30V
Description	Order NO .	Order NO .	Order NO .	Order NO .	Order NO .	Order NO .
M12*1.0	SR-M12A-04P-FF-SF7003-00AH	SR-M12D-04P-FF-SF7003-00AH	SR-M12A-05P-FF-SF7003-00AH	SR-M12B-05P-FF-SF7003-00AH	SR-M12A-08P-FF-SF7003-00AH	
Customized	.....	.....	.....	.....	.....	.....

**Dimension Figure**


PCB Layout

PCB Layout

PCB Layout

Panel Cut-Out

M12 x 1 Male Field Assembly Plug, Unshielded, Screw Connection, Straight.

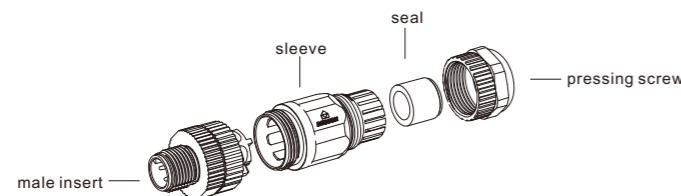


### Technical Data

Standard	IEC 61076	Contact carriers material	PA
Series	M12, Male	Contact material	Copper Alloy, Gold-plated
Number of Pins	03,04,05,06,08 Pin	Metal of nut	Zinc Alloy with Nickel Plated
Rated Current	4A max.	Plastic of nut	PA
Rated voltage	250V max.	Seal	Silicone
Insulation resistance	≥100MΩ	Shielding	Unshielded
Contact resistance	≤5mΩ	Mechanical life	> 100 mating cycles
Ambient temperature	- 25 ~ + 105°C	—	—
IP Class	IP67	—	—

Number of Pins	03 Pin		04 Pin		05 Pin		06 Pin	08 Pin
	Coded	A-Coded	A-Coded	D-Coded	A-Coded	B-Coded	A-Coded	A-Coded
Coding	Front View							
Rated current	A.	4A	4A	4A	4A	4A	2A	2A
Rated voltage	V.	250V	250V	250V	60V	60V	30V	30V
Wire/Cable	Wire gauge	22AWG	22AWG	22AWG	22AWG	22AWG	24AWG	24AWG
	Cross section	0.34mm <sup>2</sup>	0.34mm <sup>2</sup>	0.34mm <sup>2</sup>	0.34mm <sup>2</sup>	0.34mm <sup>2</sup>	0.25mm <sup>2</sup>	0.25mm <sup>2</sup>
Description	Order NO .	Order NO .	Order NO .	Order NO .	Order NO .	Order NO .	Order NO .	Order NO .
Metal of nut	PB-M12A-03P-MM-SL7001-00AH	PB-M12A-04P-MM-SL7001-00AH	PB-M12D-04P-MM-SL7001-00AH	PB-M12A-05P-MM-SL7001-00AH	PB-M12B-05P-MM-SL7001-00AH	PB-M12A-06P-MM-SL7001-00AH	PB-M12A-08P-MM-SL7001-00AH	
Plastic of nut	PW-M12A-03P-MM-SL7001-00AH	PW-M12A-04P-MM-SL7001-00AH	PW-M12D-04P-MM-SL7001-00AH	PW-M12A-05P-MM-SL7001-00AH	PW-M12B-05P-MM-SL7001-00AH	PW-M12A-06P-MM-SL7001-00AH	PW-M12A-08P-MM-SL7001-00AH	

### Component part drawing



M12 x 1 Female Field Assembly Plug, Unshielded, Screw Connection, Straight.

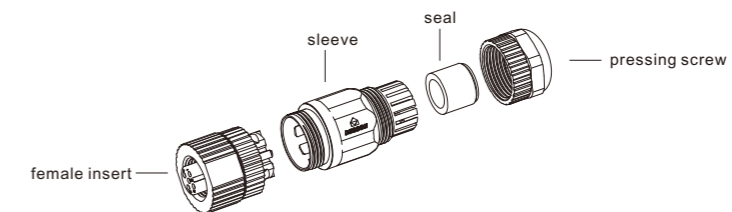


### Technical Data

Standard	IEC 61076	Contact carriers material	PA
Series	M12, Female	Contact material	Copper Alloy, Gold-plated
Number of Pins	03,04,05,06,08 Pin	Metal of nut	Zinc Alloy with Nickel Plated
Rated Current	4A max.	Plastic of nut	PA
Rated voltage	250V max.	Seal	Silicone
Insulation resistance	≥100MΩ	Shielding	Unshielded
Contact resistance	≤5mΩ	Mechanical life	> 100 mating cycles
Ambient temperature	- 25 ~ + 105°C	—	—
IP Class	IP67	—	—

Number of Pins	03 Pin		04 Pin		05 Pin		06 Pin	08 Pin
	Coded	A-Coded	A-Coded	D-Coded	A-Coded	B-Coded	A-Coded	A-Coded
Coding	Front View							
Rated current	A.	4A	4A	4A	4A	4A	2A	2A
Rated voltage	V.	250V	250V	250V	60V	60V	30V	30V
Wire/Cable	Wire gauge	22AWG	22AWG	22AWG	22AWG	22AWG	24AWG	24AWG
	Cross section	0.34mm <sup>2</sup>	0.34mm <sup>2</sup>	0.34mm <sup>2</sup>	0.34mm <sup>2</sup>	0.34mm <sup>2</sup>	0.25mm <sup>2</sup>	0.25mm <sup>2</sup>
Description	Order NO .	Order NO .	Order NO .	Order NO .	Order NO .	Order NO .	Order NO .	Order NO .
Metal of nut	PB-M12A-03P-FF-SL7001-00AH	PB-M12A-04P-FF-SL7001-00AH	PB-M12D-04P-FF-SL7001-00AH	PB-M12A-05P-FF-SL7001-00AH	PB-M12B-05P-FF-SL7001-00AH	PB-M12A-06P-FF-SL7001-00AH	PB-M12A-08P-FF-SL7001-00AH	
Plastic of nut	PW-M12A-03P-FF-SL7001-00AH	PW-M12A-04P-FF-SL7001-00AH	PW-M12D-04P-FF-SL7001-00AH	PW-M12A-05P-FF-SL7001-00AH	PW-M12B-05P-FF-SL7001-00AH	PW-M12A-06P-FF-SL7001-00AH	PW-M12A-08P-FF-SL7001-00AH	

### Component part drawing



M12 x 1 Male Field Assembly Plug, Unshielded, Screw Connection, Angled.

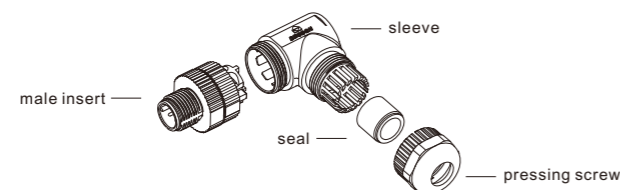


#### Technical Data

Standard	IEC 61076	Contact carriers material	PA
Series	M12, Male	Contact material	Copper Alloy, Gold-plated
Number of Pins	03,04,05,06,08 Pin	Metal of nut	Zinc Alloy with Nickel Plated
Rated Current	4A max.	Plastic of nut	PA
Rated voltage	250V max.	Seal	Silicone
Insulation resistance	≥100MΩ	Shielding	Unshielded
Contact resistance	≤5mΩ	Mechanical life	> 100 mating cycles
Ambient temperature	- 25 ~ + 105°C	—	—
IP Class	IP67	—	—

Number of Pins	03 Pin		04 Pin		05 Pin		06 Pin	08 Pin
	Coded	A-Coded	A-Coded	D-Coded	A-Coded	B-Coded	A-Coded	A-Coded
Coding	Front View							
Rated current	A.	4A	4A	4A	4A	4A	2A	2A
Rated voltage	V.	250V	250V	250V	60V	60V	30V	30V
Wire/Cable	Wire gauge	22AWG	22AWG	22AWG	22AWG	22AWG	24AWG	24AWG
	Cross section	0.34mm <sup>2</sup>	0.34mm <sup>2</sup>	0.34mm <sup>2</sup>	0.34mm <sup>2</sup>	0.34mm <sup>2</sup>	0.25mm <sup>2</sup>	0.25mm <sup>2</sup>
Description	Order NO .	Order NO .	Order NO .	Order NO .	Order NO .	Order NO .	Order NO .	Order NO .
Metal of nut	PB-M12A-03P-MM-SR7001-00AH	PB-M12A-04P-MM-SR7001-00AH	PB-M12D-04P-MM-SR7001-00AH	PB-M12A-05P-MM-SR7001-00AH	PB-M12B-05P-MM-SR7001-00AH	PB-M12A-06P-MM-SR7001-00AH	PB-M12A-08P-MM-SR7001-00AH	
Plastic of nut	PW-M12A-03P-MM-SR7001-00AH	PW-M12A-04P-MM-SR7001-00AH	PW-M12D-04P-MM-SR7001-00AH	PW-M12A-05P-MM-SR7001-00AH	PW-M12B-05P-MM-SR7001-00AH	PW-M12A-06P-MM-SR7001-00AH	PW-M12A-08P-MM-SR7001-00AH	

#### Component part drawing



M12 x 1 Female Field Assembly Plug, Unshielded, Screw Connection, Angled.

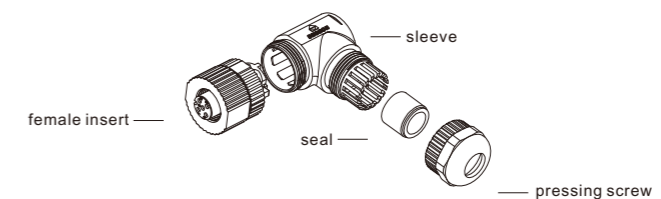


#### Technical Data

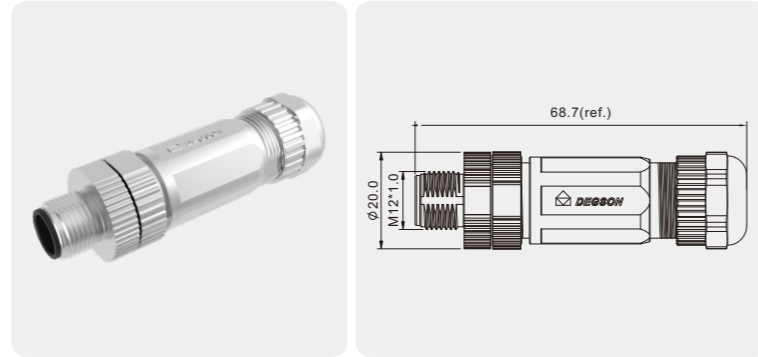
Standard	IEC 61076	Contact carriers material	PA
Series	M12, Female	Contact material	Copper Alloy, Gold-plated
Number of Pins	03,04,05,06,08 Pin	Metal of nut	Zinc Alloy with Nickel Plated
Rated Current	4A max.	Plastic of nut	PA
Rated voltage	250V max.	Seal	Silicone
Insulation resistance	≥100MΩ	Shielding	Unshielded
Contact resistance	≤5mΩ	Mechanical life	> 100 mating cycles
Ambient temperature	- 25 ~ + 105°C	—	—
IP Class	IP67	—	—

Number of Pins	03 Pin		04 Pin		05 Pin		06 Pin	08 Pin
	Coded	A-Coded	A-Coded	D-Coded	A-Coded	B-Coded	A-Coded	A-Coded
Coding	Front View							
Rated current	A.	4A	4A	4A	4A	4A	2A	2A
Rated voltage	V.	250V	250V	250V	60V	60V	30V	30V
Wire/Cable	Wire gauge	22AWG	22AWG	22AWG	22AWG	22AWG	24AWG	24AWG
	Cross section	0.34mm <sup>2</sup>	0.34mm <sup>2</sup>	0.34mm <sup>2</sup>	0.34mm <sup>2</sup>	0.34mm <sup>2</sup>	0.25mm <sup>2</sup>	0.25mm <sup>2</sup>
Description	Order NO .	Order NO .	Order NO .	Order NO .	Order NO .	Order NO .	Order NO .	Order NO .
Metal of nut	PB-M12A-03P-FF-SR7001-00AH	PB-M12A-04P-FF-SR7001-00AH	PB-M12D-04P-FF-SR7001-00AH	PB-M12A-05P-FF-SR7001-00AH	PB-M12B-05P-FF-SR7001-00AH	PB-M12A-06P-FF-SR7001-00AH	PB-M12A-08P-FF-SR7001-00AH	
Plastic of nut	PW-M12A-03P-FF-SR7001-00AH	PW-M12A-04P-FF-SR7001-00AH	PW-M12D-04P-FF-SR7001-00AH	PW-M12A-05P-FF-SR7001-00AH	PW-M12B-05P-FF-SR7001-00AH	PW-M12A-06P-FF-SR7001-00AH	PW-M12A-08P-FF-SR7001-00AH	

#### Component part drawing



M12 x 1 Male Field Assembly  
Plug, Shielded, Screw Connection,  
Straight.

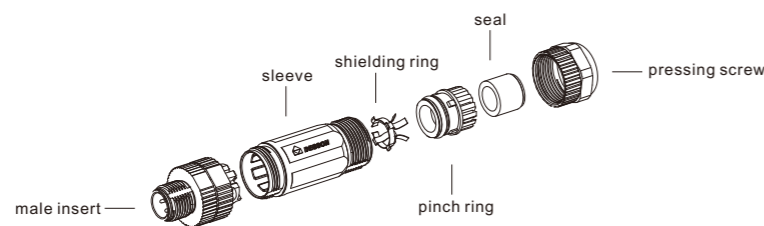


### Technical Data

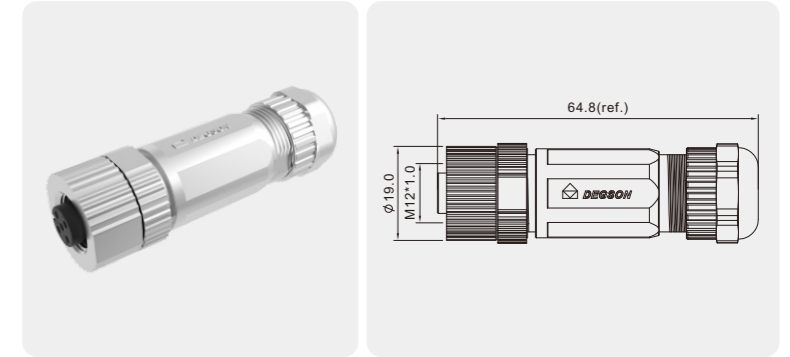
Standard	IEC 61076	Contact carriers material	PA
Series	M12, Male	Contact material	Copper Alloy, Gold-plated
Number of Pins	03,04,05,06,08 Pin	Metal of nut	Zinc Alloy with Nickel Plated
Rated Current	4A max.	Seal	Silicone
Rated voltage	250V max.	Shielding	Shielded
Insulation resistance	≥100MΩ	Mechanical life	> 100 mating cycles
Contact resistance	≤5mΩ	—	—
Ambient temperature	- 25 ~ + 105°C	—	—
IP Class	IP67	—	—

Number of Pins	03 Pin		04 Pin		05 Pin		06 Pin	08 Pin
	Coded	A-Coded	A-Coded	D-Coded	A-Coded	B-Coded	A-Coded	A-Coded
Coding	Front View							
Rated current	A.	4A	4A	4A	4A	4A	2A	2A
Rated voltage	V.	250V	250V	250V	60V	60V	30V	30V
Wire/Cable	Wire gauge	22AWG	22AWG	22AWG	22AWG	22AWG	24AWG	24AWG
	Cross section	0.34mm <sup>2</sup>	0.34mm <sup>2</sup>	0.34mm <sup>2</sup>	0.34mm <sup>2</sup>	0.34mm <sup>2</sup>	0.25mm <sup>2</sup>	0.25mm <sup>2</sup>
Description	Order NO .	Order NO .	Order NO .	Order NO .	Order NO .	Order NO .	Order NO .	Order NO .
Cable OD : 4.5-6.0mm	PESH-M12A-03P-MM-SL7001-00AH PESH-M12A-04P-MM-SL7001-00AH PESH-M12D-04P-MM-SL7001-00AH PESH-M12A-05P-MM-SL7001-00AH PESH-M12B-05P-MM-SL7001-00AH PESH-M12A-06P-MM-SL7001-00AH PESH-M12A-08P-MM-SL7001-00AH							
Cable OD : 6.0-7.5mm	PESH-M12A-03P-MM-SL7002-00AH PESH-M12A-04P-MM-SL7002-00AH PESH-M12D-04P-MM-SL7002-00AH PESH-M12A-05P-MM-SL7002-00AH PESH-M12B-05P-MM-SL7002-00AH PESH-M12A-06P-MM-SL7002-00AH PESH-M12A-08P-MM-SL7002-00AH							

### Component part drawing



M12 x 1 Female Field Assembly  
Plug, Shielded, Screw Connection,  
Straight.

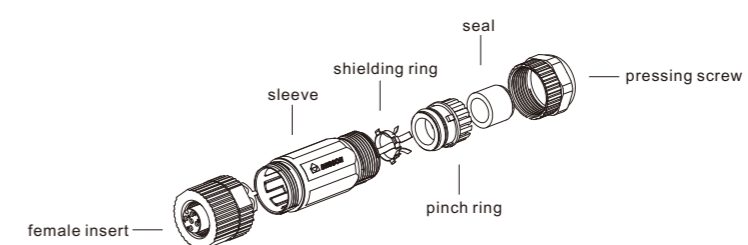


### Technical Data

Standard	IEC 61076	Contact carriers material	PA
Series	M12, Female	Contact material	Copper Alloy, Gold-plated
Number of Pins	03,04,05,06,08 Pin	Metal of nut	Zinc Alloy with Nickel Plated
Rated Current	4A max.	Seal	Silicone
Rated voltage	250V max.	Shielding	Shielded
Insulation resistance	≥100MΩ	Mechanical life	> 100 mating cycles
Contact resistance	≤5mΩ	—	—
Ambient temperature	- 25 ~ + 105°C	—	—
IP Class	IP67	—	—

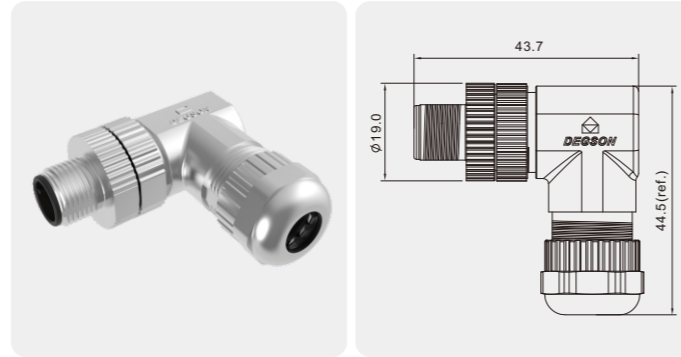
Number of Pins	03 Pin		04 Pin		05 Pin		06 Pin	08 Pin
	Coded	A-Coded	A-Coded	D-Coded	A-Coded	B-Coded	A-Coded	A-Coded
Coding	Front View							
Rated current	A.	4A	4A	4A	4A	4A	2A	2A
Rated voltage	V.	250V	250V	250V	60V	60V	30V	30V
Wire/Cable	Wire gauge	22AWG	22AWG	22AWG	22AWG	22AWG	24AWG	24AWG
	Cross section	0.34mm <sup>2</sup>	0.34mm <sup>2</sup>	0.34mm <sup>2</sup>	0.34mm <sup>2</sup>	0.34mm <sup>2</sup>	0.25mm <sup>2</sup>	0.25mm <sup>2</sup>
Description	Order NO .	Order NO .	Order NO .	Order NO .	Order NO .	Order NO .	Order NO .	Order NO .
Cable OD : 4.5-6.0mm	PESH-M12A-03P-MM-SL7001-00AH PESH-M12A-04P-MM-SL7001-00AH PESH-M12D-04P-MM-SL7001-00AH PESH-M12A-05P-MM-SL7001-00AH PESH-M12B-05P-MM-SL7001-00AH PESH-M12A-06P-MM-SL7001-00AH PESH-M12A-08P-MM-SL7001-00AH							
Cable OD : 6.0-7.5mm	PESH-M12A-03P-MM-SL7002-00AH PESH-M12A-04P-MM-SL7002-00AH PESH-M12D-04P-MM-SL7002-00AH PESH-M12A-05P-MM-SL7002-00AH PESH-M12B-05P-MM-SL7002-00AH PESH-M12A-06P-MM-SL7002-00AH PESH-M12A-08P-MM-SL7002-00AH							

### Component part drawing





M12 x 1 Male Field Assembly Plug,  
Shielded, Screw Connection, Angled.

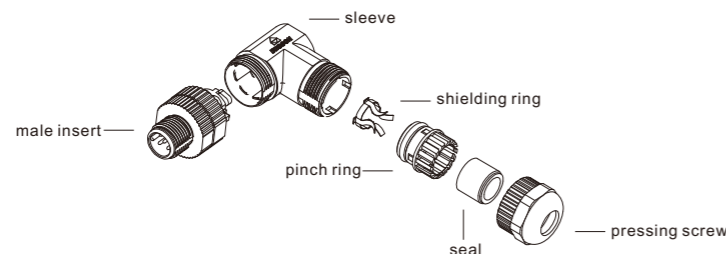


### Technical Data

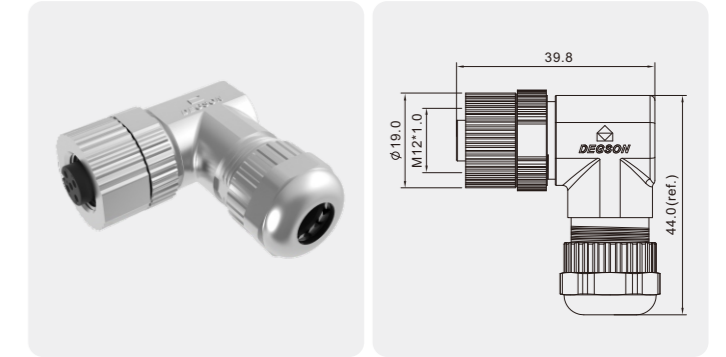
Standard	IEC 61076	Contact carriers material	PA
Series	M12, Male	Contact material	Copper Alloy, Gold-plated
Number of Pins	03,04,05,06,08 Pin	Metal of nut	Zinc Alloy with Nickel Plated
Rated Current	4A max.	Seal	Silicone
Rated voltage	250V max.	Shielding	Shielded
Insulation resistance	≥100MΩ	Mechanical life	> 100 mating cycles
Contact resistance	≤5mΩ	—	—
Ambient temperature	- 25 ~ +105°C	—	—
IP Class	IP67	—	—

Number of Pins	03 Pin		04 Pin		05 Pin		06 Pin	08 Pin
	Coded	A-Coded	A-Coded	D-Coded	A-Coded	B-Coded	A-Coded	A-Coded
Coding	Front View							
Rated current	A.	4A	4A	4A	4A	4A	2A	2A
Rated voltage	V.	250V	250V	250V	60V	60V	30V	30V
Wire/Cable	Wire gauge	22AWG	22AWG	22AWG	22AWG	22AWG	24AWG	24AWG
	Cross section	0.34mm <sup>2</sup>	0.34mm <sup>2</sup>	0.34mm <sup>2</sup>	0.34mm <sup>2</sup>	0.34mm <sup>2</sup>	0.25mm <sup>2</sup>	0.25mm <sup>2</sup>
Description	Order NO .	Order NO .	Order NO .	Order NO .	Order NO .	Order NO .	Order NO .	Order NO .
Cable OD: 4.5-6.0mm	PESHM12A-03P-MM-SR7001-00AH PESHM12A-04P-MM-SR7001-00AH PESHM12D-04P-MM-SR7001-00AH PESHM12A-05P-MM-SR7001-00AH PESHM12B-05P-MM-SR7001-00AH PESHM12A-06P-MM-SR7001-00AH PESHM12A-08P-MM-SR7001-00AH							
Cable OD: 6.0-7.5mm	PESHM12A-03P-MM-SR7002-00AH PESHM12A-04P-MM-SR7002-00AH PESHM12D-04P-MM-SR7002-00AH PESHM12A-05P-MM-SR7002-00AH PESHM12B-05P-MM-SR7002-00AH PESHM12A-06P-MM-SR7002-00AH PESHM12A-08P-MM-SR7002-00AH							

### Component part drawing



M12 x 1 Female Field Assembly Plug,  
Shielded, Screw Connection, Angled.

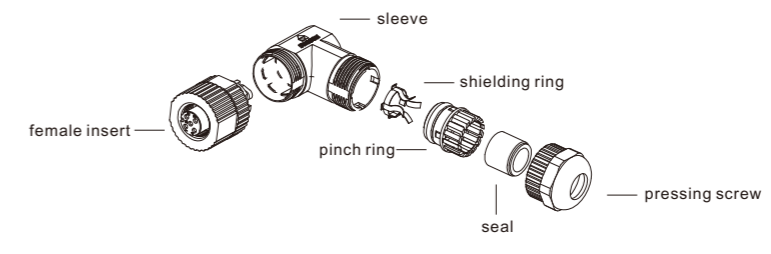


### Technical Data

Standard	IEC 61076	Contact carriers material	PA
Series	M12, Female	Contact material	Copper Alloy, Gold-plated
Number of Pins	03,04,05,06,08 Pin	Metal of nut	Zinc Alloy with Nickel Plated
Rated Current	4A max.	Seal	Silicone
Rated voltage	250V max.	Shielding	Shielded
Insulation resistance	≥100MΩ	Mechanical life	> 100 mating cycles
Contact resistance	≤5mΩ	—	—
Ambient temperature	- 25 ~ +105°C	—	—
IP Class	IP67	—	—

Number of Pins	03 Pin		04 Pin		05 Pin		06 Pin	08 Pin
	Coded	A-Coded	A-Coded	D-Coded	A-Coded	B-Coded	A-Coded	A-Coded
Coding	Front View							
Rated current	A.	4A	4A	4A	4A	4A	2A	2A
Rated voltage	V.	250V	250V	250V	60V	60V	30V	30V
Wire/Cable	Wire gauge	22AWG	22AWG	22AWG	22AWG	22AWG	24AWG	24AWG
	Cross section	0.34mm <sup>2</sup>	0.34mm <sup>2</sup>	0.34mm <sup>2</sup>	0.34mm <sup>2</sup>	0.34mm <sup>2</sup>	0.25mm <sup>2</sup>	0.25mm <sup>2</sup>
Description	Order NO .	Order NO .	Order NO .	Order NO .	Order NO .	Order NO .	Order NO .	Order NO .
Cable OD: 4.5-6.0mm	PESHM12A-03P-MM-SR7001-00AH PESHM12A-04P-MM-SR7001-00AH PESHM12D-04P-MM-SR7001-00AH PESHM12A-05P-MM-SR7001-00AH PESHM12B-05P-MM-SR7001-00AH PESHM12A-06P-MM-SR7001-00AH PESHM12A-08P-MM-SR7001-00AH							
Cable OD: 6.0-7.5mm	PESHM12A-03P-MM-SR7002-00AH PESHM12A-04P-MM-SR7002-00AH PESHM12D-04P-MM-SR7002-00AH PESHM12A-05P-MM-SR7002-00AH PESHM12B-05P-MM-SR7002-00AH PESHM12A-06P-MM-SR7002-00AH PESHM12A-08P-MM-SR7002-00AH							

### Component part drawing



M12 x 1 Male Field  
Assembly Plug,  
Unshielded, Soldering Con-  
nection, Straight.

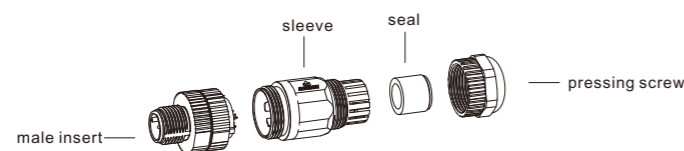


Technical Data

Standard	IEC 61076	Contact carriers material	PA
Series	M12, Male	Contact material	Copper Alloy, Gold-plated
Number of Pins	03,04,05,06,08,10,12,17 Pin	Metal of nut	Zinc Alloy with Nickel Plated
Rated Current	4A max.	Plastic of nut	PA
Rated voltage	250V max.	Seal	Silicone
Insulation resistance	≥100MΩ	Shielding	Unshielded
Contact resistance	≤5mΩ	Mechanical life	> 100 mating cycles
Ambient temperature	- 25 ~ + 105°C	—	—
IP Class	IP67	—	—

Number of Pins		03 Pin	04 Pin	05 Pin	06 Pin	08 Pin
Coding	Coded	A-Coded	A-Coded	A-Coded	A-Coded	A-Coded
	Front View					
Rated current	A.	4A	4A	4A	2A	2A
Rated voltage	V.	250V	250V	60V	30V	30V
Wire/Cable	Wire gauge	22AWG	22AWG	22AWG	24AWG	24AWG
	Cross section	0.34mm <sup>2</sup>	0.34mm <sup>2</sup>	0.34mm <sup>2</sup>	0.25mm <sup>2</sup>	0.25mm <sup>2</sup>
Description	Order NO .	Order NO .	Order NO .	Order NO .	Order NO .	Order NO .
Metal of nut	PA-M12A-03P-MM-SL7001-00AH	PA-M12A-04P-MM-SL7001-00AH	PA-M12A-05P-MM-SL7001-00AH	PA-M12A-06P-MM-SL7001-00AH	PA-M12A-08P-MM-SL7001-00AH	
Plastic of nut	PS-M12A-03P-MM-SL7001-00AH	PS-M12A-04P-MM-SL7001-00AH	PS-M12A-05P-MM-SL7001-00AH	PS-M12A-06P-MM-SL7001-00AH	PS-M12A-08P-MM-SL7001-00AH	

Component part drawing



M12 x 1 Male Field  
Assembly Plug,  
Unshielded, Soldering Con-  
nection, Straight.

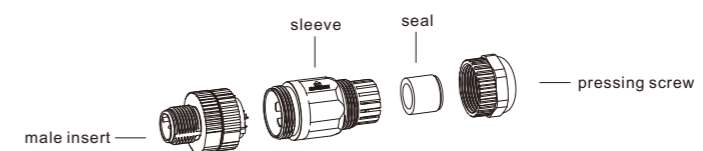


Technical Data

Standard	IEC 61076	Contact carriers material	PA
Series	M12, Male	Contact material	Copper Alloy, Gold-plated
Number of Pins	03,04,05,06,08,10,12,17 Pin	Metal of nut	Zinc Alloy with Nickel Plated
Rated Current	4A max.	Plastic of nut	PA
Rated voltage	250V max.	Seal	Silicone
Insulation resistance	≥100MΩ	Shielding	Unshielded
Contact resistance	≤5mΩ	Mechanical life	> 100 mating cycles
Ambient temperature	- 25 ~ + 105°C	—	—
IP Class	IP67	—	—

Number of Pins		10 Pin	12 Pin	17 Pin	05 Pin	04 Pin
Coding	Coded	A-Coded	A-Coded	A-Coded	B-Coded	D-Coded
	Front View					
Rated current	A.	1.5A	1.5A	1.5A	4A	4A
Rated voltage	V.	30V	30V	30V	60V	250V
Wire/Cable	Wire gauge	26AWG	26AWG	26AWG	22AWG	22AWG
	Cross section	0.14mm <sup>2</sup>	0.14mm <sup>2</sup>	0.14mm <sup>2</sup>	0.34mm <sup>2</sup>	0.34mm <sup>2</sup>
Description	Order NO .	Order NO .	Order NO .	Order NO .	Order NO .	Order NO .
Metal of nut	PA-M12A-10P-MM-SL7001-00AH	PA-M12A-12P-MM-SL7001-00AH	PA-M12A-17P-MM-SL7001-00AH	PA-M12B-05P-MM-SL7001-00AH	PA-M12D-04P-MM-SL7001-00AH	
Plastic of nut	PS-M12A-10P-MM-SL7001-00AH	PS-M12A-12P-MM-SL7001-00AH	PS-M12A-17P-MM-SL7001-00AH	PS-M12B-05P-MM-SL7001-00AH	PS-M12D-04P-MM-SL7001-00AH	

Component part drawing



M12 x 1 Female Field Assembly Plug, Unshielded, Soldering Connection, Straight.

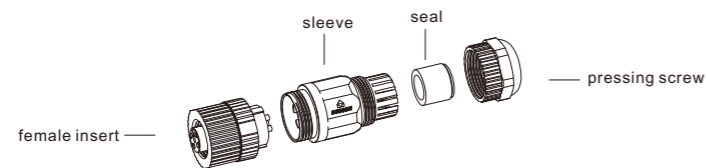


#### Technical Data

Standard	IEC 61076	Contact carriers material	PA
Series	M12, Female	Contact material	Copper Alloy, Gold-plated
Number of Pins	03,04,05,06,08,10,12,17 Pin	Metal of nut	Zinc Alloy with Nickel Plated
Rated Current	4A max.	Plastic of nut	PA
Rated voltage	250V max.	Seal	Silicone
Insulation resistance	≥100MΩ	Shielding	Unshielded
Contact resistance	≤5mΩ	Mechanical life	> 100 mating cycles
Ambient temperature	- 25 ~ + 105°C	—	—
IP Class	IP67	—	—

Number of Pins		03 Pin	04 Pin	05 Pin	06 Pin	08 Pin
Coding	Coded	A-Coded	A-Coded	A-Coded	A-Coded	A-Coded
	Front View					
Rated current	A.	4A	4A	4A	2A	2A
Rated voltage	V.	250V	250V	60V	30V	30V
Wire/Cable	Wire gauge	22AWG	22AWG	22AWG	24AWG	24AWG
	Cross section	0.34mm <sup>2</sup>	0.34mm <sup>2</sup>	0.34mm <sup>2</sup>	0.25mm <sup>2</sup>	0.25mm <sup>2</sup>
Description		Order NO .	Order NO .	Order NO .	Order NO .	Order NO .
Metal of nut		PA-M12A-03P-FF-SL7001-00AH	PA-M12A-04P-FF-SL7001-00AH	PA-M12A-05P-FF-SL7001-00AH	PA-M12A-06P-FF-SL7001-00AH	PA-M12A-08P-FF-SL7001-00AH
Plastic of nut		PS-M12A-03P-FF-SL7001-00AH	PS-M12A-04P-FF-SL7001-00AH	PS-M12A-05P-FF-SL7001-00AH	PS-M12A-06P-FF-SL7001-00AH	PS-M12A-08P-FF-SL7001-00AH

#### Component part drawing



M12 x 1 Female Field Assembly Plug, Unshielded, Soldering Connection, Straight.

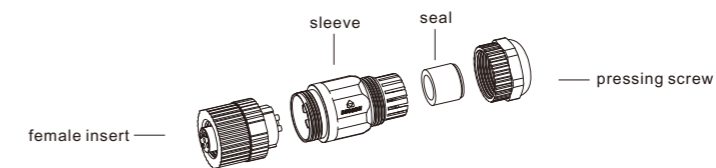


#### Technical Data

Standard	IEC 61076	Contact carriers material	PA
Series	M12, Female	Contact material	Copper Alloy, Gold-plated
Number of Pins	03,04,05,06,08,10,12,17 Pin	Metal of nut	Zinc Alloy with Nickel Plated
Rated Current	4A max.	Plastic of nut	PA
Rated voltage	250V max.	Seal	Silicone
Insulation resistance	≥100MΩ	Shielding	Unshielded
Contact resistance	≤5mΩ	Mechanical life	> 100 mating cycles
Ambient temperature	- 25 ~ + 105°C	—	—
IP Class	IP67	—	—

Number of Pins		10 Pin	12 Pin	17 Pin	05 Pin	04 Pin
Coding	Coded	A-Coded	A-Coded	A-Coded	B-Coded	D-Coded
	Front View					
Rated current	A.	1.5A	1.5A	1.5A	4A	4A
Rated voltage	V.	30V	30V	30V	60V	250V
Wire/Cable	Wire gauge	26AWG	26AWG	26AWG	22AWG	22AWG
	Cross section	0.14mm <sup>2</sup>	0.14mm <sup>2</sup>	0.14mm <sup>2</sup>	0.34mm <sup>2</sup>	0.34mm <sup>2</sup>
Description		Order NO .	Order NO .	Order NO .	Order NO .	Order NO .
Metal of nut		PA-M12A-10P-FF-SL7001-00AH	PA-M12A-12P-FF-SL7001-00AH	PA-M12A-17P-FF-SL7001-00AH	PA-M12B-05P-FF-SL7001-00AH	PA-M12D-04P-FF-SL7001-00AH
Plastic of nut		PS-M12A-10P-FF-SL7001-00AH	PS-M12A-12P-FF-SL7001-00AH	PS-M12A-17P-FF-SL7001-00AH	PS-M12B-05P-FF-SL7001-00AH	PS-M12D-04P-FF-SL7001-00AH

#### Component part drawing



M12 x 1 Male Field Assembly Plug, Unshielded, Soldering Connection, Angled.

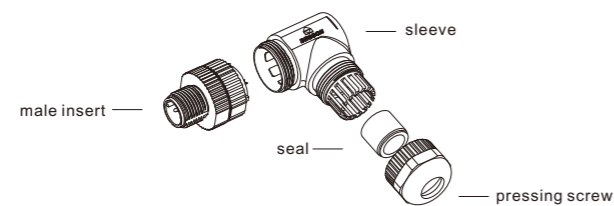


#### Technical Data

Standard	IEC 61076	Contact carriers material	PA
Series	M12, Male	Contact material	Copper Alloy, Gold-plated
Number of Pins	03,04,05,06,08,10,12,17 Pin	Metal of nut	Zinc Alloy with Nickel Plated
Rated Current	4A max.	Plastic of nut	PA
Rated voltage	250V max.	Seal	Silicone
Insulation resistance	≥100MΩ	Shielding	Unshielded
Contact resistance	≤5mΩ	Mechanical life	> 100 mating cycles
Ambient temperature	- 25 ~ + 105°C	—	—
IP Class	IP67	—	—

Number of Pins		03 Pin	04 Pin	05 Pin	06 Pin	08 Pin
Coding	Coded	A-Coded	A-Coded	A-Coded	A-Coded	A-Coded
	Front View					
Rated current	A.	4A	4A	4A	2A	2A
Rated voltage	V.	250V	250V	60V	30V	30V
Wire/Cable	Wire gauge	22AWG	22AWG	22AWG	24AWG	24AWG
	Cross section	0.34mm <sup>2</sup>	0.34mm <sup>2</sup>	0.34mm <sup>2</sup>	0.25mm <sup>2</sup>	0.25mm <sup>2</sup>
Description	Order NO .	Order NO .	Order NO .	Order NO .	Order NO .	Order NO .
Metal of nut	PA-M12A-03P-MM-SR7001-00AH	PA-M12A-04P-MM-SR7001-00AH	PA-M12A-05P-MM-SR7001-00AH	PA-M12A-06P-MM-SR7001-00AH	PA-M12A-08P-MM-SR7001-00AH	
Plastic of nut	PS-M12A-03P-MM-SR7001-00AH	PS-M12A-04P-MM-SR7001-00AH	PS-M12A-05P-MM-SR7001-00AH	PS-M12A-06P-MM-SR7001-00AH	PS-M12A-08P-MM-SR7001-00AH	

#### Component part drawing



M12 x 1 Male Field Assembly Plug, Unshielded, Soldering Connection, Angled.

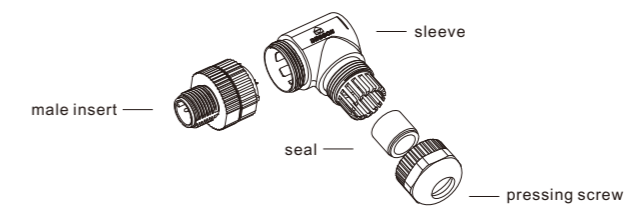


#### Technical Data

Standard	IEC 61076	Contact carriers material	PA
Series	M12, Male	Contact material	Copper Alloy, Gold-plated
Number of Pins	03,04,05,06,08,10,12,17 Pin	Metal of nut	Zinc Alloy with Nickel Plated
Rated Current	4A max.	Plastic of nut	PA
Rated voltage	250V max.	Seal	Silicone
Insulation resistance	≥100MΩ	Shielding	Unshielded
Contact resistance	≤5mΩ	Mechanical life	> 100 mating cycles
Ambient temperature	- 25 ~ + 105°C	—	—
IP Class	IP67	—	—

Number of Pins		10 Pin	12 Pin	17 Pin	05 Pin	04 Pin
Coding	Coded	A-Coded	A-Coded	A-Coded	B-Coded	D-Coded
	Front View					
Rated current	A.	1.5A	1.5A	1.5A	4A	4A
Rated voltage	V.	30V	30V	30V	60V	250V
Wire/Cable	Wire gauge	26AWG	26AWG	26AWG	22AWG	22AWG
	Cross section	0.14mm <sup>2</sup>	0.14mm <sup>2</sup>	0.14mm <sup>2</sup>	0.34mm <sup>2</sup>	0.34mm <sup>2</sup>
Description	Order NO .	Order NO .	Order NO .	Order NO .	Order NO .	Order NO .
Metal of nut	PA-M12A-10P-MM-SR7001-00AH	PA-M12A-12P-MM-SR7001-00AH	PA-M12A-17P-MM-SR7001-00AH	PA-M12B-05P-MM-SR7001-00AH	PA-M12D-04P-MM-SR7001-00AH	
Plastic of nut	PS-M12A-10P-MM-SR7001-00AH	PS-M12A-12P-MM-SR7001-00AH	PS-M12A-17P-MM-SR7001-00AH	PS-M12B-05P-MM-SR7001-00AH	PS-M12D-04P-MM-SR7001-00AH	

#### Component part drawing



M12 x 1 Female Field Assembly Plug, Unshielded, Soldering Connection, Angled.

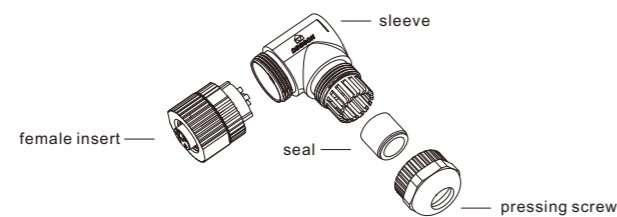


#### Technical Data

Standard	IEC 61076	Contact carriers material	PA
Series	M12, Female	Contact material	Copper Alloy, Gold-plated
Number of Pins	03,04,05,06,08,10,12,17 Pin	Metal of nut	Zinc Alloy with Nickel Plated
Rated Current	4A max.	Plastic of nut	PA
Rated voltage	250V max.	Seal	Silicone
Insulation resistance	≥100MΩ	Shielding	Unshielded
Contact resistance	≤5mΩ	Mechanical life	> 100 mating cycles
Ambient temperature	- 25 ~ + 105°C	—	—
IP Class	IP67	—	—

Number of Pins		03 Pin	04 Pin	05 Pin	06 Pin	08 Pin
Coding	Coded	A-Coded	A-Coded	A-Coded	A-Coded	A-Coded
	Front View					
Rated current	A.	4A	4A	4A	2A	2A
Rated voltage	V.	250V	250V	60V	30V	30V
Wire/Cable	Wire gauge	22AWG	22AWG	22AWG	24AWG	24AWG
	Cross section	0.34mm <sup>2</sup>	0.34mm <sup>2</sup>	0.34mm <sup>2</sup>	0.25mm <sup>2</sup>	0.25mm <sup>2</sup>
Description	Order NO .	Order NO .	Order NO .	Order NO .	Order NO .	Order NO .
Metal of nut	PA-M12A-03P-FF-SR7001-00AH	PA-M12A-04P-FF-SR7001-00AH	PA-M12A-05P-FF-SR7001-00AH	PA-M12A-06P-FF-SR7001-00AH	PA-M12A-08P-FF-SR7001-00AH	
Plastic of nut	PS-M12A-03P-FF-SR7001-00AH	PS-M12A-04P-FF-SR7001-00AH	PS-M12A-05P-FF-SR7001-00AH	PS-M12A-06P-FF-SR7001-00AH	PS-M12A-08P-FF-SR7001-00AH	

#### Component part drawing



M12 x 1 Female Field Assembly Plug, Unshielded, Soldering Connection, Angled.

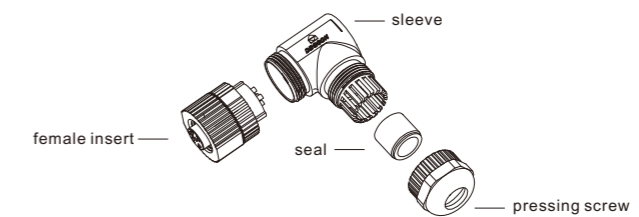


#### Technical Data

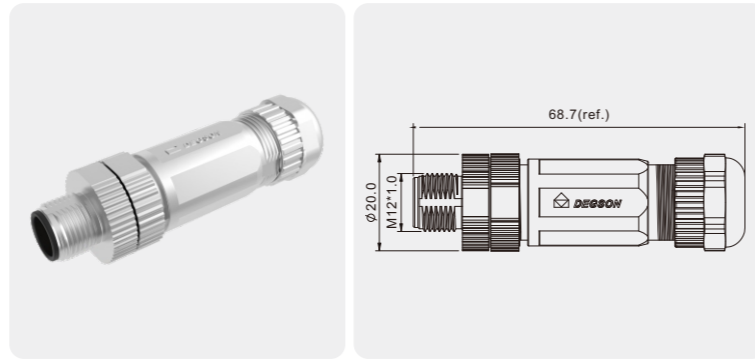
Standard	IEC 61076	Contact carriers material	PA
Series	M12, Female	Contact material	Copper Alloy, Gold-plated
Number of Pins	03,04,05,06,08,10,12,17 Pin	Metal of nut	Zinc Alloy with Nickel Plated
Rated Current	4A max.	Plastic of nut	PA
Rated voltage	250V max.	Seal	Silicone
Insulation resistance	≥100MΩ	Shielding	Unshielded
Contact resistance	≤5mΩ	Mechanical life	> 100 mating cycles
Ambient temperature	- 25 ~ + 105°C	—	—
IP Class	IP67	—	—

Number of Pins		10 Pin	12 Pin	17 Pin	05 Pin	04 Pin
Coding	Coded	A-Coded	A-Coded	A-Coded	B-Coded	D-Coded
	Front View					
Rated current	A.	1.5A	1.5A	1.5A	4A	4A
Rated voltage	V.	30V	30V	30V	60V	250V
Wire/Cable	Wire gauge	26AWG	26AWG	26AWG	22AWG	22AWG
	Cross section	0.14mm <sup>2</sup>	0.14mm <sup>2</sup>	0.14mm <sup>2</sup>	0.34mm <sup>2</sup>	0.34mm <sup>2</sup>
Description	Order NO .	Order NO .	Order NO .	Order NO .	Order NO .	Order NO .
Metal of nut	PA-M12A-10P-FF-SR7001-00AH	PA-M12A-12P-FF-SR7001-00AH	PA-M12A-17P-FF-SR7001-00AH	PA-M12B-05P-FF-SR7001-00AH	PA-M12D-04P-FF-SR7001-00AH	
Plastic of nut	PS-M12A-10P-FF-SR7001-00AH	PS-M12A-12P-FF-SR7001-00AH	PS-M12A-17P-FF-SR7001-00AH	PS-M12B-05P-FF-SR7001-00AH	PS-M12D-04P-FF-SR7001-00AH	

#### Component part drawing



M12 x 1 Male Field Assembly Plug, Shielded, Soldering Connection, Straight.

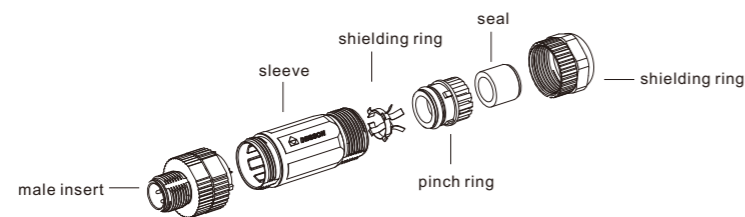


### Technical Data

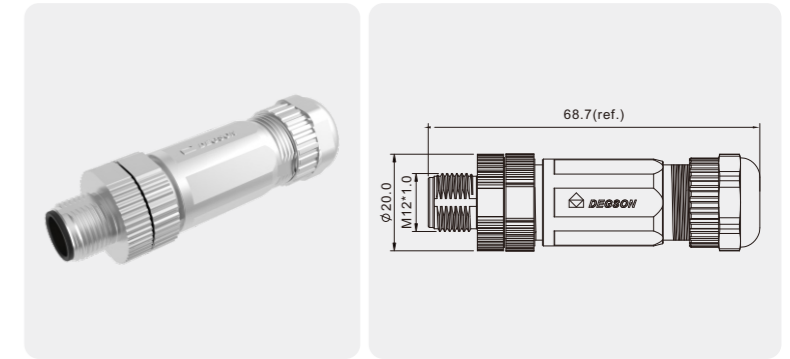
Standard	IEC 61076	Contact carriers material	PA
Series	M12, Male	Contact material	Copper Alloy, Gold-plated
Number of Pins	03,04,05,06,08,10,12,17 Pin	Metal of nut	Zinc Alloy with Nickel Plated
Rated Current	4A max.	Seal	Silicone
Rated voltage	250V max.	Shielding	Shielded
Insulation resistance	≥100MΩ	Mechanical life	> 100 mating cycles
Contact resistance	≤5mΩ	—	—
Ambient temperature	- 25 ~ + 105°C	—	—
IP Class	IP67	—	—

Number of Pins		03 Pin	04 Pin	05 Pin	06 Pin	08 Pin
Coding	Coded	A-Coded	A-Coded	A-Coded	A-Coded	A-Coded
	Front View					
Rated current	A.	4A	4A	4A	2A	2A
Rated voltage	V.	250V	250V	60V	30V	30V
Wire/Cable	Wire gauge	22AWG	22AWG	22AWG	24AWG	24AWG
	Cross section	0.34mm <sup>2</sup>	0.34mm <sup>2</sup>	0.34mm <sup>2</sup>	0.25mm <sup>2</sup>	0.25mm <sup>2</sup>
Description	Order NO .	Order NO .	Order NO .	Order NO .	Order NO .	Order NO .
Cable OD: 4.5-6.0mm		PASH-M12A-03P-MM-SL7001-00AH	PASH-M12A-04P-MM-SL7001-00AH	PASH-M12A-05P-MM-SL7001-00AH	PASH-M12A-06P-MM-SL7001-00AH	PASH-M12A-08P-MM-SL7001-00AH
Cable OD: 6.0-7.5mm		PASH-M12A-03P-MM-SL7002-00AH	PASH-M12A-04P-MM-SL7002-00AH	PASH-M12A-05P-MM-SL7002-00AH	PASH-M12A-06P-MM-SL7002-00AH	PASH-M12A-08P-MM-SL7002-00AH

### Component part drawing



M12 x 1 Male Field Assembly Plug, Shielded, Soldering Connection, Straight.

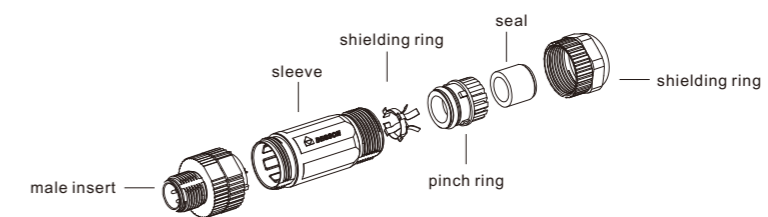


### Technical Data

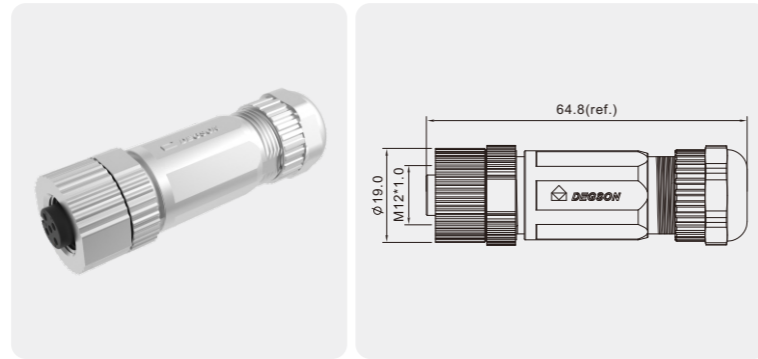
Standard	IEC 61076	Contact carriers material	PA
Series	M12, Male	Contact material	Copper Alloy, Gold-plated
Number of Pins	03,04,05,06,08,10,12,17 Pin	Metal of nut	Zinc Alloy with Nickel Plated
Rated Current	4A max.	Seal	Silicone
Rated voltage	250V max.	Shielding	Shielded
Insulation resistance	≥100MΩ	Mechanical life	> 100 mating cycles
Contact resistance	≤5mΩ	—	—
Ambient temperature	- 25 ~ + 105°C	—	—
IP Class	IP67	—	—

Number of Pins		10 Pin	12 Pin	17 Pin	05 Pin	04 Pin
Coding	Coded	A-Coded	A-Coded	A-Coded	B-Coded	D-Coded
	Front View					
Rated current	A.	1.5A	1.5A	1.5A	4A	4A
Rated voltage	V.	30V	30V	30V	60V	250V
Wire/Cable	Wire gauge	26AWG	26AWG	26AWG	22AWG	22AWG
	Cross section	0.14mm <sup>2</sup>	0.14mm <sup>2</sup>	0.14mm <sup>2</sup>	0.34mm <sup>2</sup>	0.34mm <sup>2</sup>
Description	Order NO .	Order NO .	Order NO .	Order NO .	Order NO .	Order NO .
Cable OD: 4.5-6.0mm		PASH-M12A-10P-MM-SL7001-00AH	PASH-M12A-12P-MM-SL7001-00AH	PASH-M12A-17P-MM-SL7001-00AH	PASH-M12B-05P-MM-SL7001-00AH	PASH-M12D-04P-MM-SL7001-00AH
Cable OD: 6.0-7.5mm		PASH-M12A-10P-MM-SL7002-00AH	PASH-M12A-12P-MM-SL7002-00AH	PASH-M12A-17P-MM-SL7002-00AH	PASH-M12B-05P-MM-SL7002-00AH	PASH-M12D-04P-MM-SL7002-00AH

### Component part drawing



M12 x 1 Female Field Assembly Plug,  
Shielded, Soldering Connection,  
Straight.

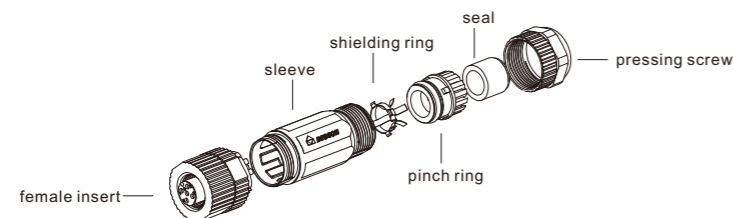


#### Technical Data

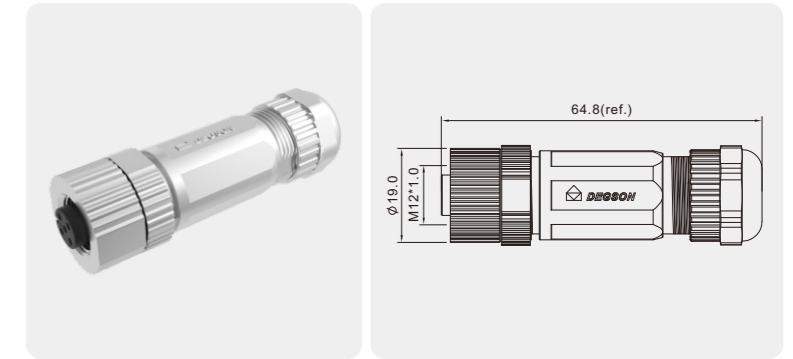
Standard	IEC 61076	Contact carriers material	PA
Series	M12, Female	Contact material	Copper Alloy, Gold-plated
Number of Pins	03,04,05,06,08,10,12,17Pin	Metal of nut	Zinc Alloy with Nickel Plated
Rated Current	4A max.	Seal	Silicone
Rated voltage	250V max.	Shielding	Shielded
Insulation resistance	≥100MΩ	Mechanical life	> 100 mating cycles
Contact resistance	≤5mΩ	—	—
Ambient temperature	- 25 ~ + 105°C	—	—
IP Class	IP67	—	—

Number of Pins		03 Pin	04 Pin	05 Pin	06 Pin	08 Pin
Coding	Coded	A-Coded	A-Coded	A-Coded	A-Coded	A-Coded
	Front View					
Rated current	A.	4A	4A	4A	2A	2A
Rated voltage	V.	250V	250V	60V	30V	30V
Wire/Cable	Wire gauge	22AWG	22AWG	22AWG	24AWG	24AWG
	Cross section	0.34mm <sup>2</sup>	0.34mm <sup>2</sup>	0.34mm <sup>2</sup>	0.25mm <sup>2</sup>	0.25mm <sup>2</sup>
Description		Order NO .	Order NO .	Order NO .	Order NO .	Order NO .
Cable OD : 4.5-6.0mm		PASH-M12A-03P-FF-SL7001-00AH	PASH-M12A-04P-FF-SL7001-00AH	PASH-M12A-05P-FF-SL7001-00AH	PASH-M12A-06P-FF-SL7001-00AH	PASH-M12A-08P-FF-SL7001-00AH
Cable OD : 6.0-7.5mm		PASH-M12A-03P-FF-SL7002-00AH	PASH-M12A-04P-FF-SL7002-00AH	PASH-M12A-05P-FF-SL7002-00AH	PASH-M12A-06P-FF-SL7002-00AH	PASH-M12A-08P-FF-SL7002-00AH

#### Component part drawing



M12 x 1 Female Field Assembly Plug,  
Shielded, Soldering Connection,  
Straight.

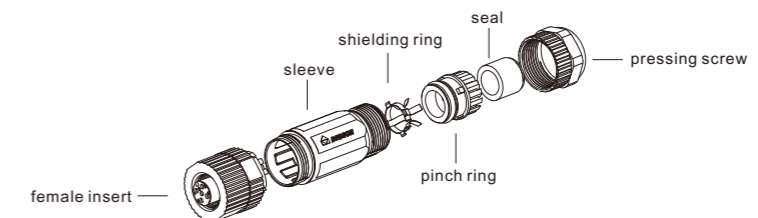


#### Technical Data

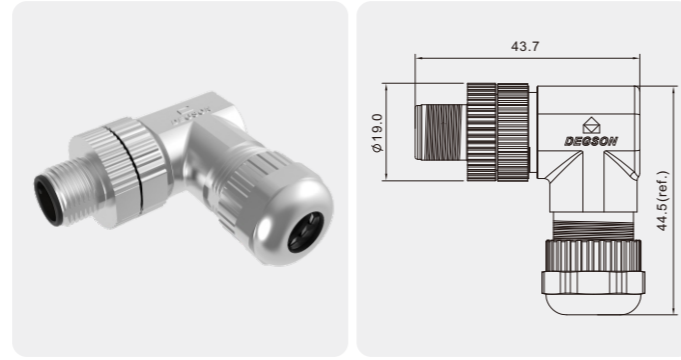
Standard	IEC 61076	Contact carriers material	PA
Series	M12, Female	Contact material	Copper Alloy, Gold-plated
Number of Pins	03,04,05,06,08,10,12,17 Pin	Metal of nut	Zinc Alloy with Nickel Plated
Rated Current	4A max.	Seal	Silicone
Rated voltage	250V max.	Shielding	Shielded
Insulation resistance	≥100MΩ	Mechanical life	> 100 mating cycles
Contact resistance	≤5mΩ	—	—
Ambient temperature	- 25 ~ + 105°C	—	—
IP Class	IP67	—	—

Number of Pins		10 Pin	12 Pin	17 Pin	05 Pin	04 Pin
Coding	Coded	A-Coded	A-Coded	A-Coded	B-Coded	D-Coded
	Front View					
Rated current	A.	1.5A	1.5A	1.5A	4A	4A
Rated voltage	V.	30V	30V	30V	60V	250V
Wire/Cable	Wire gauge	26AWG	26AWG	26AWG	22AWG	22AWG
	Cross section	0.14mm <sup>2</sup>	0.14mm <sup>2</sup>	0.14mm <sup>2</sup>	0.34mm <sup>2</sup>	0.34mm <sup>2</sup>
Description		Order NO .	Order NO .	Order NO .	Order NO .	Order NO .
Cable OD : 4.5-6.0mm		PASH-M12A-10P-FF-SL7001-00AH	PASH-M12A-12P-FF-SL7001-00AH	PASH-M12A-17P-FF-SL7001-00AH	PASH-M12B-05P-FF-SL7001-00AH	PASH-M12D-04P-FF-SL7001-00AH
Cable OD : 6.0-7.5mm		PASH-M12A-10P-FF-SL7002-00AH	PASH-M12A-12P-FF-SL7002-00AH	PASH-M12A-17P-FF-SL7002-00AH	PASH-M12B-05P-FF-SL7002-00AH	PASH-M12D-04P-FF-SL7002-00AH

#### Component part drawing

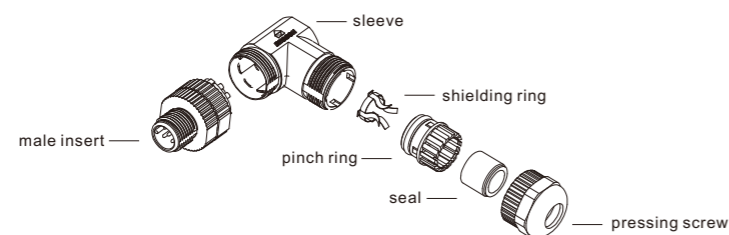


M12 x 1 Male Field Assembly Plug,  
Shielded, Soldering Connection,  
Angled.

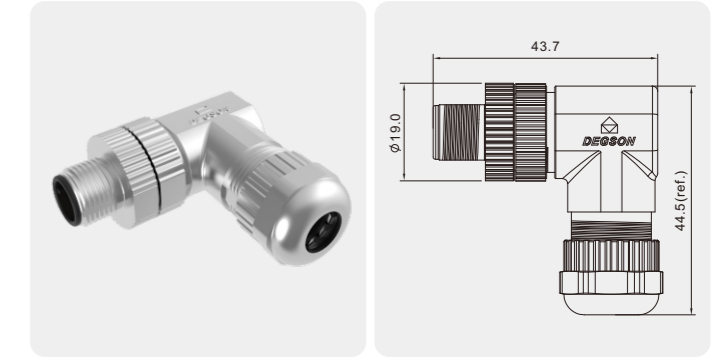

**Technical Data**

Standard	IEC 61076	Contact carriers material	PA
Series	M12, Male	Contact material	Copper Alloy, Gold-plated
Number of Pins	03,04,05,06,08,10,12,17 Pin	Metal of nut	Zinc Alloy with Nickel Plated
Rated Current	4A max.	Seal	Silicone
Rated voltage	250V max.	Shielding	Shielded
Insulation resistance	≥100MΩ	Mechanical life	> 100 mating cycles
Contact resistance	≤5mΩ	—	—
Ambient temperature	- 25 ~ + 105°C	—	—
IP Class	IP67	—	—

Number of Pins		03 Pin	04 Pin	05 Pin	06 Pin	08 Pin
Coding	Coded	A-Coded	A-Coded	A-Coded	A-Coded	A-Coded
	Front View					
Rated current	A.	4A	4A	4A	2A	2A
Rated voltage	V.	250V	250V	60V	30V	30V
Wire/Cable	Wire gauge	22AWG	22AWG	22AWG	24AWG	24AWG
	Cross section	0.34mm <sup>2</sup>	0.34mm <sup>2</sup>	0.34mm <sup>2</sup>	0.25mm <sup>2</sup>	0.25mm <sup>2</sup>
Description		Order NO .	Order NO .	Order NO .	Order NO .	Order NO .
Cable OD: 4.5-6.0mm		PASH-M12A-03P-MM-SR7001-00AH	PASH-M12A-04P-MM-SR7001-00AH	PASH-M12A-05P-MM-SR7001-00AH	PASH-M12A-06P-MM-SR7001-00AH	PASH-M12A-08P-MM-SR7001-00AH
Cable OD: 6.0-7.5mm		PASH-M12A-03P-MM-SR7002-00AH	PASH-M12A-04P-MM-SR7002-00AH	PASH-M12A-05P-MM-SR7002-00AH	PASH-M12A-06P-MM-SR7002-00AH	PASH-M12A-08P-MM-SR7002-00AH

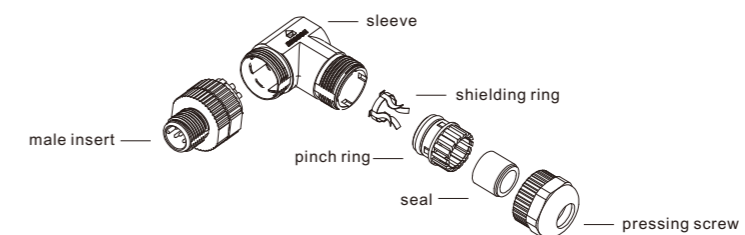
**Component part drawing**


M12 x 1 Male Field Assembly Plug,  
Shielded, Soldering Connection,  
Angled.


**Technical Data**

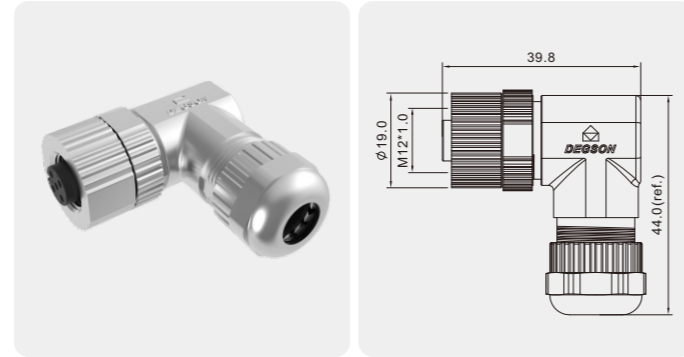
Standard	IEC 61076	Contact carriers material	PA
Series	M12, Male	Contact material	Copper Alloy, Gold-plated
Number of Pins	03,04,05,06,08,10,12,17 Pin	Metal of nut	Zinc Alloy with Nickel Plated
Rated Current	4A max.	Seal	Silicone
Rated voltage	250V max.	Shielding	Shielded
Insulation resistance	≥100MΩ	Mechanical life	> 100 mating cycles
Contact resistance	≤5mΩ	—	—
Ambient temperature	- 25 ~ + 105°C	—	—
IP Class	IP67	—	—

Number of Pins		10 Pin	12 Pin	17 Pin	05 Pin	04 Pin
Coding	Coded	A-Coded	A-Coded	A-Coded	B-Coded	D-Coded
	Front View					
Rated current	A.	1.5A	1.5A	1.5A	4A	4A
Rated voltage	V.	30V	30V	30V	60V	250V
Wire/Cable	Wire gauge	26AWG	26AWG	26AWG	22AWG	22AWG
	Cross section	0.14mm <sup>2</sup>	0.14mm <sup>2</sup>	0.14mm <sup>2</sup>	0.34mm <sup>2</sup>	0.34mm <sup>2</sup>
Description		Order NO .	Order NO .	Order NO .	Order NO .	Order NO .
Cable OD: 4.5-6.0mm		PASH-M12A-10P-MM-SR7001-00AH	PASH-M12A-12P-MM-SR7001-00AH	PASH-M12A-17P-MM-SR7001-00AH	PASH-M12B-05P-MM-SR7001-00AH	PASH-M12D-04P-MM-SR7001-00AH
Cable OD: 6.0-7.5mm		PASH-M12A-10P-MM-SR7002-00AH	PASH-M12A-12P-MM-SR7002-00AH	PASH-M12A-17P-MM-SR7002-00AH	PASH-M12B-05P-MM-SR7002-00AH	PASH-M12D-04P-MM-SR7002-00AH

**Component part drawing**




M12 x 1 Female Field Assembly Plug, Shielded, Soldering Connection, Angled.

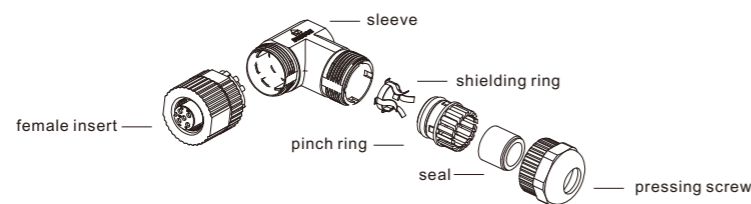


#### Technical Data

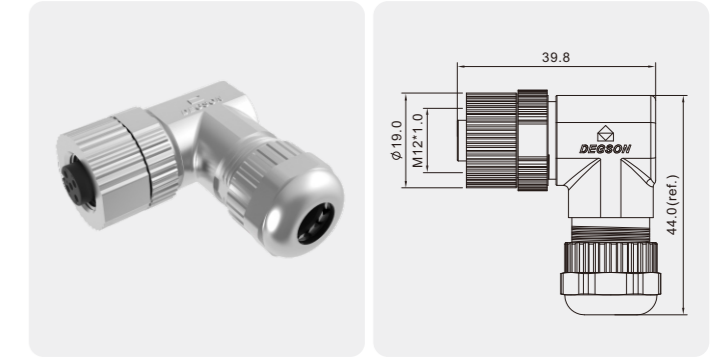
Standard	IEC 61076	Contact carriers material	PA
Series	M12, Female	Contact material	Copper Alloy, Gold-plated
Number of Pins	03,04,05,06,08,10,12,17 Pin	Metal of nut	Zinc Alloy with Nickel Plated
Rated Current	4A max.	Seal	Silicone
Rated voltage	250V max.	Shielding	Shielded
Insulation resistance	≥100MΩ	Mechanical life	> 100 mating cycles
Contact resistance	≤5mΩ	—	—
Ambient temperature	- 25 ~ + 105°C	—	—
IP Class	IP67	—	—

Number of Pins		03 Pin	04 Pin	05 Pin	06 Pin	08 Pin
Coding	Coded	A-Coded	A-Coded	A-Coded	A-Coded	A-Coded
	Front View					
Rated current	A.	4A	4A	4A	2A	2A
Rated voltage	V.	250V	250V	60V	30V	30V
Wire/Cable	Wire gauge	22AWG	22AWG	22AWG	24AWG	24AWG
	Cross section	0.34mm <sup>2</sup>	0.34mm <sup>2</sup>	0.34mm <sup>2</sup>	0.25mm <sup>2</sup>	0.25mm <sup>2</sup>
Description		Order NO .	Order NO .	Order NO .	Order NO .	Order NO .
Cable OD : 4.5-6.0mm		PASH-M12A-03P-FF-SR7001-00AH	PASH-M12A-04P-FF-SR7001-00AH	PASH-M12A-05P-FF-SR7001-00AH	PASH-M12A-06P-FF-SR7001-00AH	PASH-M12A-08P-FF-SR7001-00AH
Cable OD : 6.0-7.5mm		PASH-M12A-03P-FF-SR7002-00AH	PASH-M12A-04P-FF-SR7002-00AH	PASH-M12A-05P-FF-SR7002-00AH	PASH-M12A-06P-FF-SR7002-00AH	PASH-M12A-08P-FF-SR7002-00AH

#### Component part drawing



M12 x 1 Female Field Assembly Plug, Shielded, Soldering Connection, Angled.

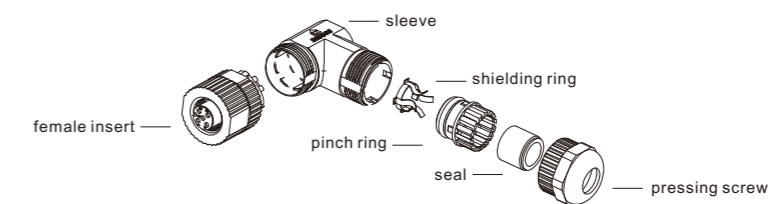


#### Technical Data

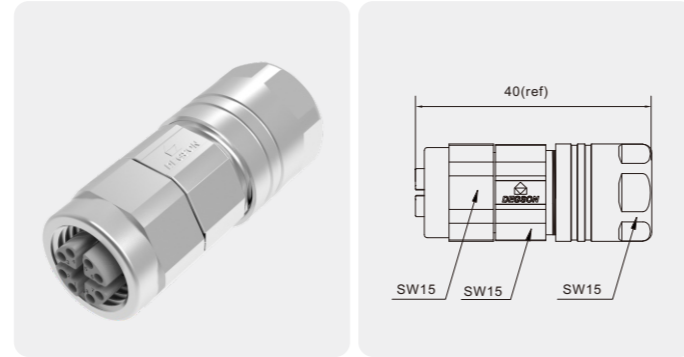
Standard	IEC 61076	Contact carriers material	PA
Series	M12, Female	Contact material	Copper Alloy, Gold-plated
Number of Pins	03,04,05,06,08,10,12,17 Pin	Metal of nut	Zinc Alloy with Nickel Plated
Rated Current	4A max.	Seal	Silicone
Rated voltage	250V max.	Shielding	Shielded
Insulation resistance	≥100MΩ	Mechanical life	> 100 mating cycles
Contact resistance	≤5mΩ	—	—
Ambient temperature	- 25 ~ + 105°C	—	—
IP Class	IP67	—	—

Number of Pins		10 Pin	12 Pin	17 Pin	05 Pin	04 Pin
Coding	Coded	A-Coded	A-Coded	A-Coded	B-Coded	D-Coded
	Front View					
Rated current	A.	1.5A	1.5A	1.5A	4A	4A
Rated voltage	V.	30V	30V	30V	60V	250V
Wire/Cable	Wire gauge	26AWG	26AWG	26AWG	22AWG	22AWG
	Cross section	0.14mm <sup>2</sup>	0.14mm <sup>2</sup>	0.14mm <sup>2</sup>	0.34mm <sup>2</sup>	0.34mm <sup>2</sup>
Description		Order NO .	Order NO .	Order NO .	Order NO .	Order NO .
Cable OD : 4.5-6.0mm		PASH-M12A-10P-FF-SR7001-00AH	PASH-M12A-12P-FF-SR7001-00AH	PASH-M12A-17P-FF-SR7001-00AH	PASH-M12B-05P-FF-SR7001-00AH	PASH-M12D-04P-FF-SR7001-00AH
Cable OD : 6.0-7.5mm		PASH-M12A-10P-FF-SR7002-00AH	PASH-M12A-12P-FF-SR7002-00AH	PASH-M12A-17P-FF-SR7002-00AH	PASH-M12B-05P-FF-SR7002-00AH	PASH-M12D-04P-FF-SR7002-00AH

#### Component part drawing



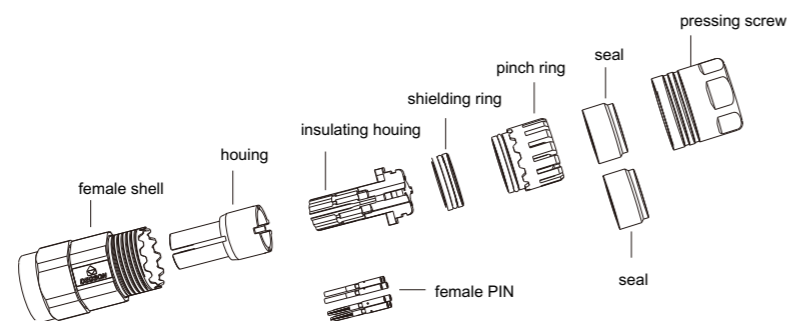
M12 x 1 Female Field Assembly Plug, Shielded, Crimping Connection, Straight.



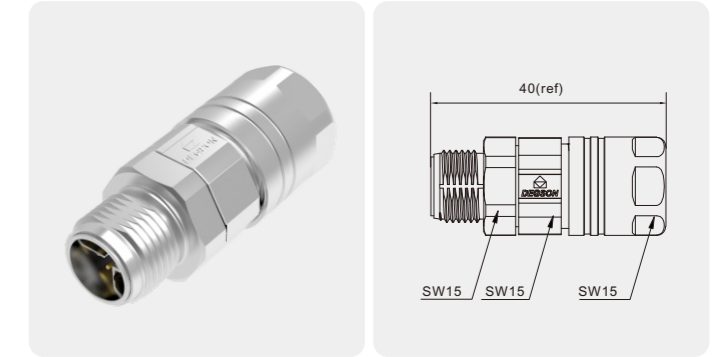
Standard	IEC 61076	Contact carriers material	PA
Series	M12, Female	Contact material	Copper Alloy, Gold-plated
Number of Pins	08Pin	Metal of nut	Zinc Alloy with Nickel Plated
Rated Current	0.5A max.	Seal	Silicone
Rated voltage	50V max.	Shielding	Shielded
Insulation resistance	≥100MΩ	Mechanical life	> 100 mating cycles
Contact resistance	≤5mΩ	—	—
Ambient temperature	- 40 ~ +85°C	—	—
IP Class	IP67	—	—

Number of Pins		08 Pin
Coding	Coded	X-Coded
	Front View	
Rated current	A.	0.5A
Rated voltage	V.	50V AC / 60V DC
Wire/Cable	Wire gauge	22-26AWG
	Wire diameter including insulation	≤Φ 1.6mm
	Conductor cross section	0.14-0.34mm <sup>2</sup>
Description	Order NO .	
Cable OD: Φ6.0-Φ9.5mm	PCSH-M12X-08P-FF-SL7001-00AH	

#### Component part drawing



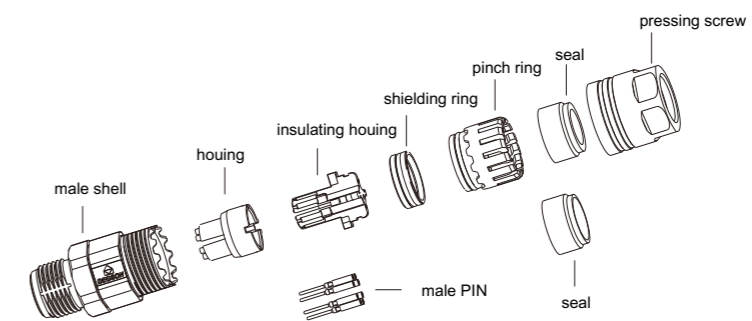
M12 x 1 Female Field Assembly Plug, Shielded, Crimping Connection, Straight.



Standard	IEC 61076	Contact carriers material	PA
Series	M12, Female	Contact material	Copper Alloy, Gold-plated
Number of Pins	08Pin	Metal of nut	Zinc Alloy with Nickel Plated
Rated Current	0.5A max.	Seal	Silicone
Rated voltage	50V max.	Shielding	Shielded
Insulation resistance	≥100MΩ	Mechanical life	> 100 mating cycles
Contact resistance	≤5mΩ	—	—
Ambient temperature	- 40 ~ +85°C	—	—
IP Class	IP67	—	—

Number of Pins		08 Pin
Coding	Coded	X-Coded
	Front View	
Rated current	A.	0.5A
Rated voltage	V.	50V AC / 60V DC
Wire/Cable	Wire gauge	22-26AWG
	Wire diameter including insulation	≤Φ 1.6mm
	Conductor cross section	0.14-0.34mm <sup>2</sup>
Description	订单号 Order NO .	
Cable OD: Φ6.0-Φ9.5mm	PCSH-M12X-08P-MM-SL7001-00AH	

#### Component part drawing





### Advantages

- Perfect compatibility with each brand.
- A variety of combinations meet multiple installation environments.
- 360° EMC shielding, suitable for complex electromagnetic environments.
- Optimize the structure. Improve the wire ends locking to reduce trouble risks; Innovative anti-return contact pins to prevent the internal structure from loosening; Second locking system improve product reliability.
- Anti-vibration ensure high reliability in harsh environment.
- Easy installation, even non-professionals can quickly complete the assembly and replace the defective parts.
- Complete test report.

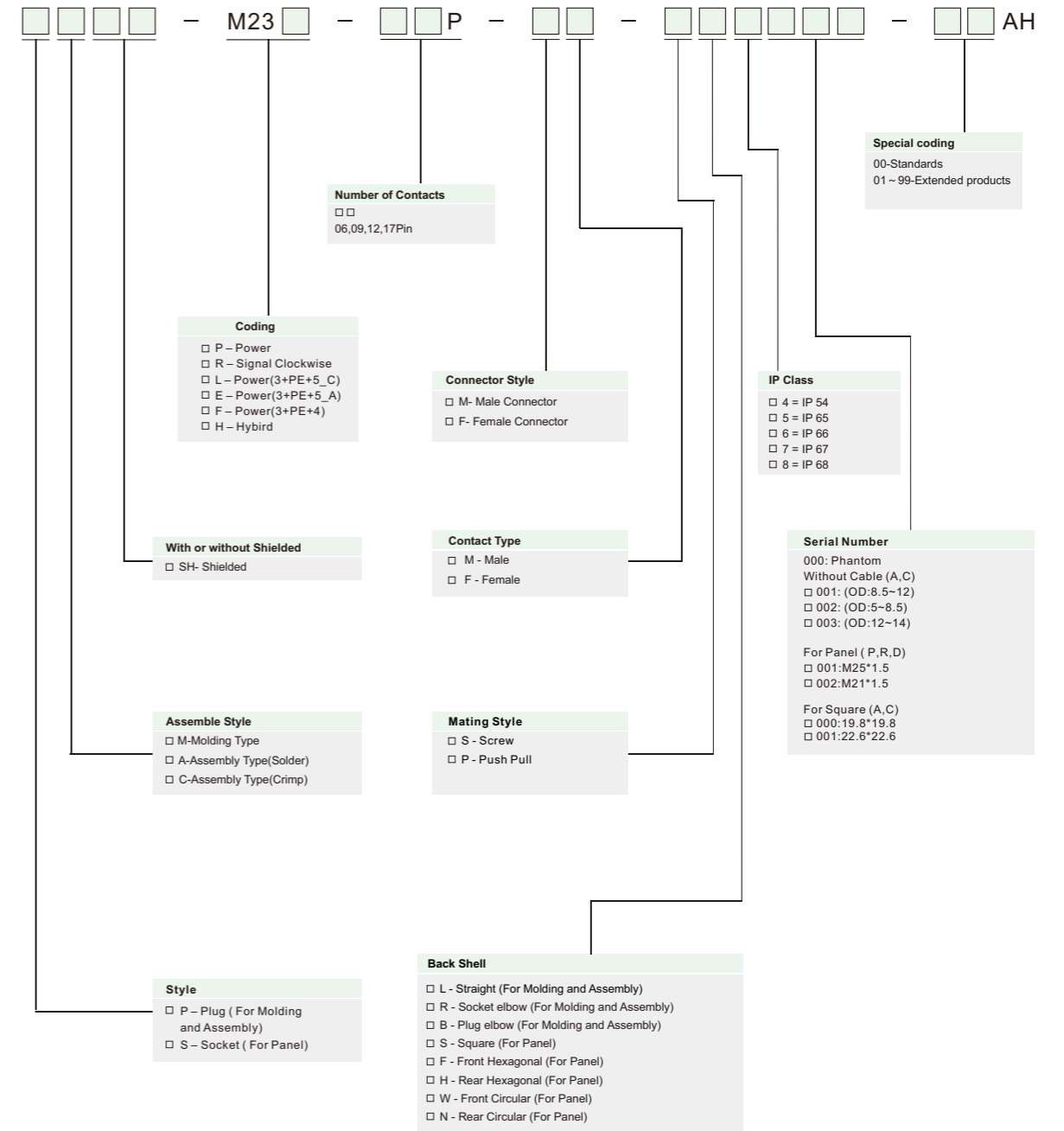
### Features

- Rated current: up to 28A
- Rated voltage: up to 630V
- Signal: 12 Pins, 17 Pins
- Power: 5+PE
- Hybrid: 5+3+PE
- Protection Degree: IP67
- Assembly and panel type Installation
- Suitable for standard connection technology



### Circular Connectors Part Number

#### Circular Connectors Part Number Reference

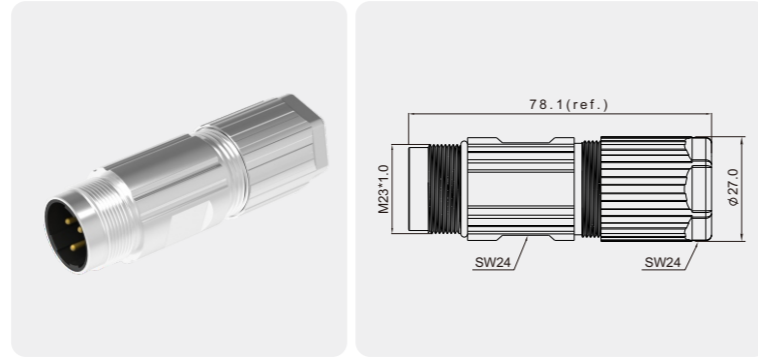


For example:

Assembly Type Signal 06Pin: PCSH-M23P-06P-FF-SL7001-00A(H)

Details: Assembly Type, M23 Power, 6Pin, female socket female Pin, thread locked, straight head, IP67, standard products.

M23x 1 Male Field Assembly Plug,  
Shielded,Crimping Connection,  
Straight.

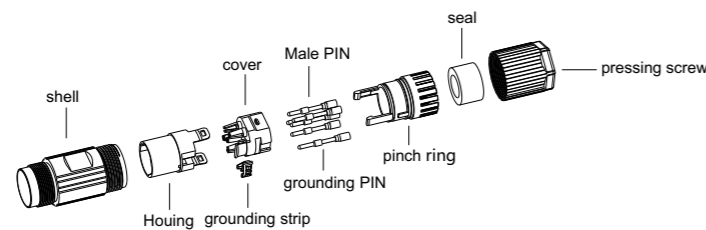


Technical Data

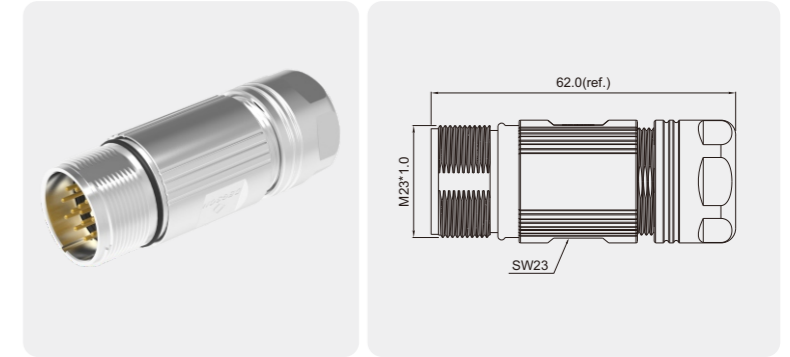
Series	M23, Male	Contact carriers material	PA
Number of Pins	5+PE	Contact material	Copper Alloy, Gold-plated
Rated Current	28A	Metal shell	Copper Alloy with Nickel Plated
Rated voltage	630V	Seal	Silicone
Insulation resistance	≥100MΩ	Shielding	Shielded
Withstand voltage	4.0KV AC	Mechanical life	≥ 500 mating cycles
Ambient temperature	- 40 ~ + 125°C	IP Class	IP67

Number of Pins		5+PE Pin
Coding	Front View	
Rated current	A.	28A
Rated voltage	V.	630V
Wire gauge		12-14AWG
Apply OD		8.5-12mm
Description		Order NO .
With the Pin		PCSH-M23P-06P-MM-SL7001-00A(H)

Component part drawing



M23x 1 Male Field Assembly Plug,  
Shielded,Crimping Connection,  
Straight.

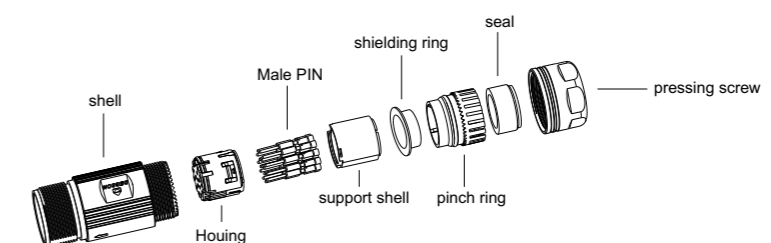


Technical Data

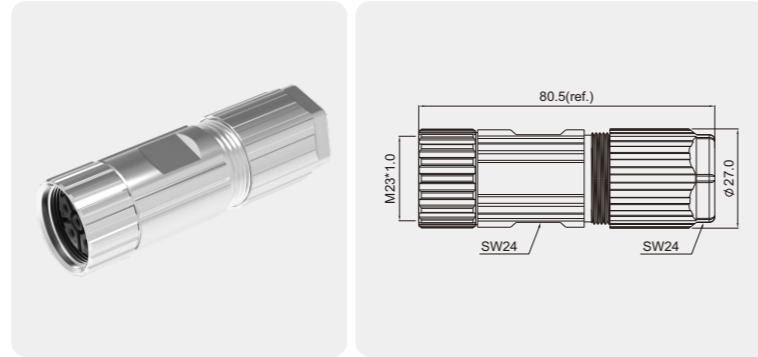
Series	M23, Male	Contact carriers material	PBT
Number of Pins	12,17 Pin	Contact material	Copper Alloy, Gold-plated
Rated Current	8A	Metal shell	Zinc Alloy with Nickel Plated
Rated voltage	160V max.	Seal	Silicone
Insulation resistance	≥100MΩ	Shielding	Shielded
Withstand voltage	2.0KV AC	Mechanical life	≥ 500 mating cycles
Ambient temperature	- 40 ~ + 125°C	IP Class	IP67

Number of Pins		12 Pin	17 Pin
Coding	Front View		
Rated current	A.	8A	8A
Rated voltage	V.	160V	125V
Wire gauge		18-28AWG	18-28AWG
Apply OD		5-14mm	5-14mm
Description		Order NO .	Order NO .
With the Pin 18~24AWG	OD 8.5~12mm	PCSH-M23R-12P-MM-SL7001-00A(H)	PCSH-M23R-17P-MM-SL7001-00A(H)
	OD 5~8.5mm	PCSH-M23R-12P-MM-SL7002-00A(H)	PCSH-M23R-17P-MM-SL7002-00A(H)
	OD 12~14mm	PCSH-M23R-12P-MM-SL7003-00A(H)	PCSH-M23R-17P-MM-SL7003-00A(H)
Without the Pin	OD 8.5~12mm	P-M23R-12P-MM-SL7001-00A(H)	P-M23R-17P-MM-SL7001-00A(H)
	OD 5~8.5mm	P-M23R-12P-MM-SL7002-00A(H)	P-M23R-17P-MM-SL7002-00A(H)
	OD 12~14mm	P-M23R-12P-MM-SL7003-00A(H)	P-M23R-17P-MM-SL7003-00A(H)
Pin	24~28AWG	CT-M23R-GM-10-01	CT-M23R-GM-10-01
	18~24AWG	CT-M23R-GM-10-02	CT-M23R-GM-10-02

Component part drawing

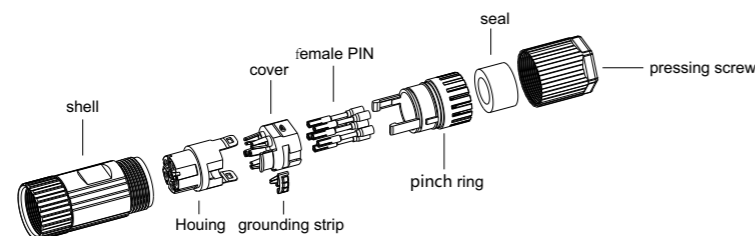


M23x 1 Female Field Assembly Plug,  
Shielded, Crimping Connection,  
Straight.

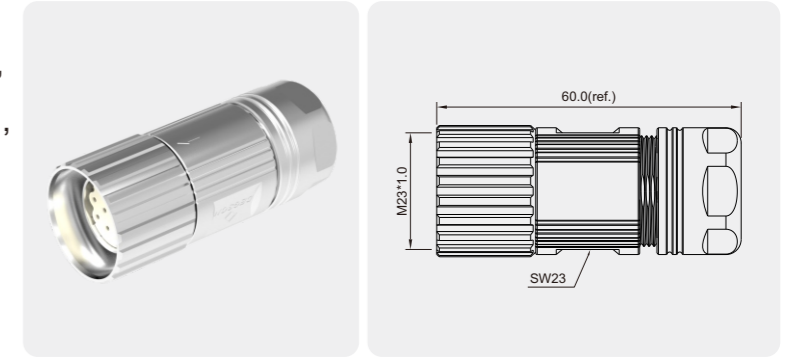

**Technical Data**

Series	M23, Female	Contact carriers material	PA
Number of Pins	5+PE	Contact material	Copper Alloy, Gold-plated
Rated Current	28A	Metal shell	Copper Alloy with Nickel Plated
Rated voltage	630V	Seal	Silicone
Insulation resistance	≥100MΩ	Shielding	Shielded
Withstand voltage	4.0KV AC	Mechanical life	≥ 500 mating cycles
Ambient temperature	- 40 ~ + 125°C	IP Class	IP67

Number of Pins		5+PE Pin
Coding	Front View	
Rated current	A.	28A
Rated voltage	V.	630V
Wire gauge		12-14AWG
Apply OD		8.5-12mm
Description		Order NO .
With the Pin		PCSH-M23P-06P-FF-SL7001-00A(H)

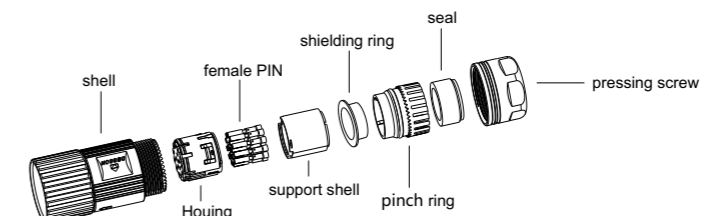
**Component part drawing**


M23x 1 Female Field Assembly Plug,  
Shielded, Crimping Connection,  
Straight.

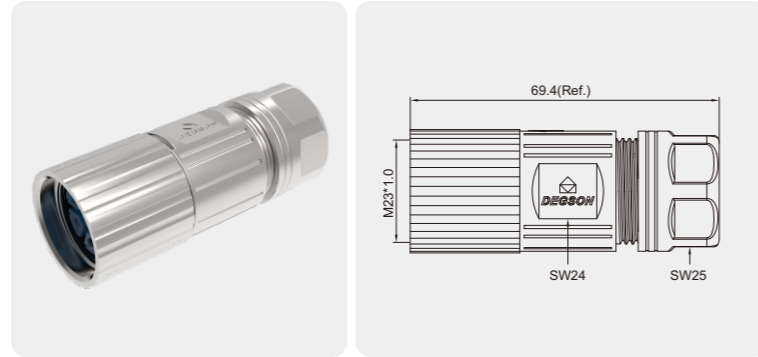

**Technical Data**

Series	M23, Female	Contact carriers material	PBT
Number of Pins	12, 17 Pin	Contact material	Copper Alloy, Gold-plated
Rated Current	8A	Metal shell	Zinc Alloy with Nickel Plated
Rated voltage	160V max.	Seal	Silicone
Insulation resistance	≥100MΩ	Shielding	Shielded
Withstand voltage	2.0KV AC	Mechanical life	≥ 500 mating cycles
Ambient temperature	- 40 ~ + 125°C	IP Class	IP67

Number of Pins		12 Pin	17 Pin
Coding	Front View		
Rated current	A.	8A	8A
Rated voltage	V.	160V	125V
Wire gauge		18-28AWG	18-28AWG
Apply OD		5-14mm	5-14mm
Description		Order NO .	Order NO .
With the Pin	OD 8.5~12mm	PCSH-M23R-12P-FF-SL7001-00A(H)	PCSH-M23R-17P-FF-SL7001-00A(H)
	OD 5~8.5mm	PCSH-M23R-12P-FF-SL7002-00A(H)	PCSH-M23R-17P-FF-SL7002-00A(H)
	OD 12~14mm	PCSH-M23R-12P-FF-SL7003-00A(H)	PCSH-M23R-17P-FF-SL7003-00A(H)
Without the Pin	OD 8.5~12mm	P-M23R-12P-FF-SL7001-00A(H)	P-M23R-17P-FF-SL7001-00A(H)
	OD 5~8.5mm	P-M23R-12P-FF-SL7002-00A(H)	P-M23R-17P-FF-SL7002-00A(H)
	OD 12~14mm	P-M23R-12P-FF-SL7003-00A(H)	P-M23R-17P-FF-SL7003-00A(H)
Pin	24~28AWG	CT-M23R-GF-10-01	CT-M23R-GF-10-01
	18~24AWG	CT-M23R-GF-10-02	CT-M23R-GF-10-02

**Component part drawing**


M23x 1 Female Field Assembly  
Plug Shielded, Crimping  
Connection, Straight.

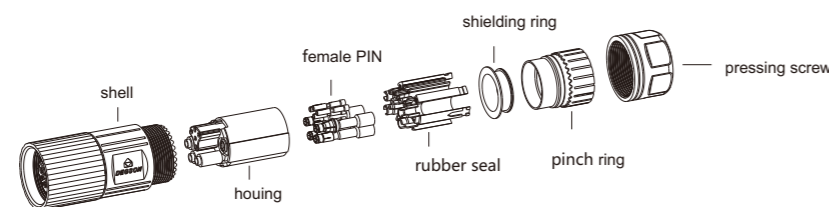


Technical Data

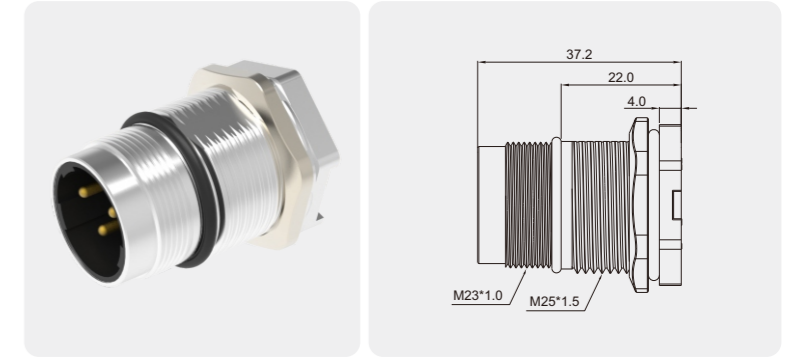
Series	M23, Female	Contact carriers material	PA
Number of Pins	5+3+PE	Contact material	Copper Alloy, Gold-plated
Rated Current	Power: 30A	Metal shell	Copper Alloy with Nickel Plated
	Signal: 7A	Seal	Silicone
Rated voltage	Power: 630V	Shielding	Shielded
	Signal: 250V	Mechanical life	≥ 500 mating cycles
Insulation resistance	≥100MΩ	IP Class	IP67
Withstand voltage	3.5KV AC max.	—	—
Ambient temperature	- 40 ~ + 125°C	—	—

Number of Pins		5+3+PE Pin
Coding	Front View	
Rated current	A.	30A / 7A
Rated voltage	V.	630V / 250V
Wire gauge		12-14AWG
Apply OD		8.5-12mm
Description		Order NO .
With the Pin		PCSH-M23L-09P-FF-SL7001-00A(H)

Component part drawing



M23x 1 Male Panel Mount  
Receptacle, Field Assembly  
Socket, Shielded, Crimping  
Connection, Straight.

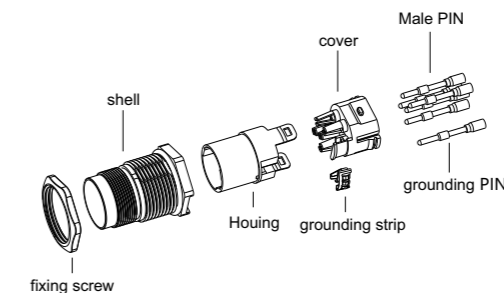


Technical Data

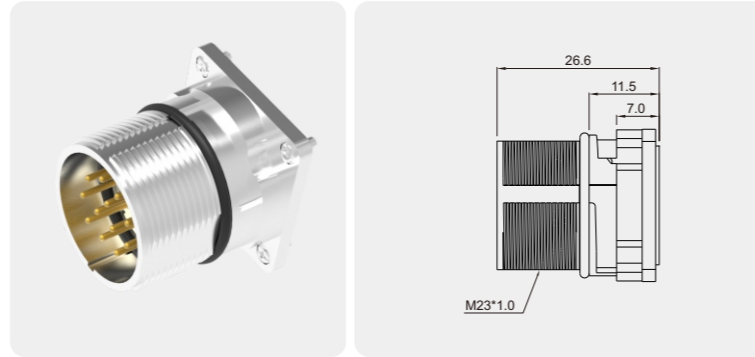
Series	M23, Male	Contact carriers material	PA
Number of Pins	5+PE	Contact material	Copper Alloy, Gold-plated
Rated Current	28A	Metal shell	Copper Alloy with Nickel Plated
Rated voltage	630V	Seal	Silicone
Insulation resistance	≥100MΩ	Shielding	Shielded
Withstand voltage	4.0KV AC	Mechanical life	≥ 500 mating cycles
Ambient temperature	- 40 ~ + 125°C	IP Class	IP67

Number of Pins		5+PE Pin
Coding	Front View	
Rated current	A.	28A
Rated voltage	V.	630V
Wire gauge		12-14AWG
Description		Order NO .
With the Pin		SCSH-M23P-06P-MM-SF7001-00A(H)

Component part drawing



M23x 1 Male Panel Mount  
Receptacle, Field Assembly  
Socket, Shielded, Crimping  
Connection, Straight.

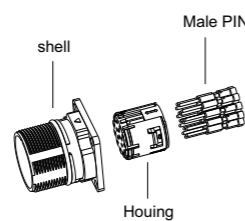


Technical Data

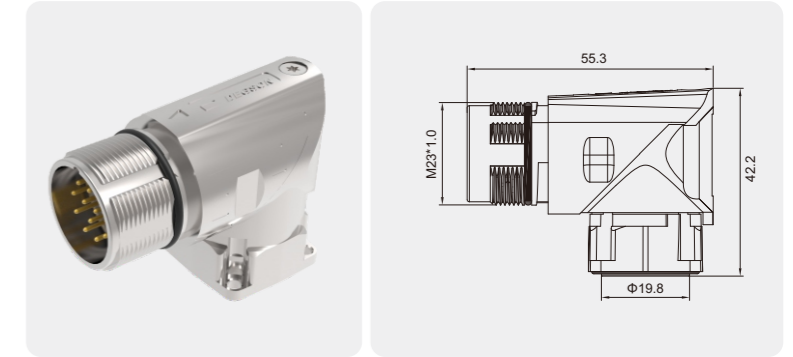
Series	M23, Male	Contact carriers material	PBT
Number of Pins	12, 17 Pin	Contact material	Copper Alloy, Gold-plated
Rated Current	8A	Metal shell	Zinc Alloy with Nickel Plated
Rated voltage	160V max.	Seal	Silicone
Insulation resistance	≥ 100MΩ	Shielding	Shielded
Withstand voltage	2.0KV AC	Mechanical life	≥ 500 mating cycles
Ambient temperature	- 40 ~ + 125°C	IP Class	IP67

Number of Pins		10 Pin	17 Pin
Coding	Front View		
Rated current	A.	8A	8A
Rated voltage	V.	160V	125V
Wire gauge		18-28AWG	18-28AWG
Description		Order NO .	Order NO .
With the Pin		SCSH-M23R-12P-MM-SS7000-00A(H)	SCSH-M23R-17P-MM-SS7000-00A(H)
Without the Pin		S-M23R-12P-MM-SS7000-00A(H)	S-M23R-17P-MM-SS7000-00A(H)
Pin		CT-M23R-GM-10-01	CT-M23R-GM-10-01
		CT-M23R-GM-10-02	CT-M23R-GM-10-02

Component part drawing



M23x 1 Male Panel Mount  
Receptacle, Field Assembly  
Socket, Shielded,  
Crimping Connection, Angled.

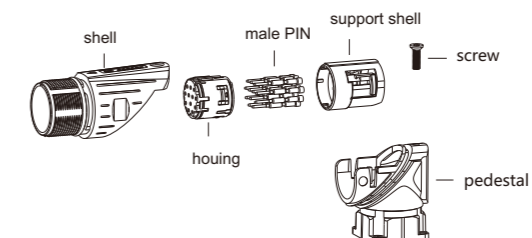


Technical Data

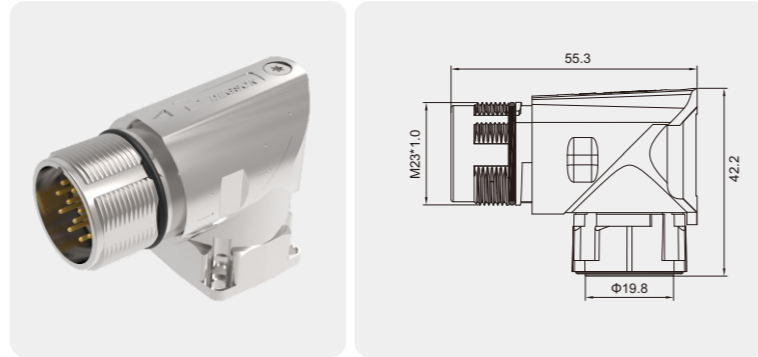
Series	M23, Male	Contact carriers material	PBT
Number of Pins	12, 17 Pin	Contact material	Copper Alloy, Gold-plated
Rated Current	7A	Metal shell	Zinc Alloy with Nickel Plated
Rated voltage	160V	Seal	Silicone
Insulation resistance	≥ 100MΩ	Shielding	Shielded
Withstand voltage	2.0KV AC	Mechanical life	≥ 500 mating cycles
Ambient temperature	- 20 ~ + 125°C	IP Class	IP67

Number of Pins		12 Pin
Coding	Front View	
Rated current	A.	7A
Rated voltage	V.	160V
Wire gauge		18-24AWG
Description		Order NO .
With the Pin		SCSH-M23R-12P-MM-SR7000-00A(H)
Without the Pin		S-M23R-12P-MM-SR7000-00A(H)
Pin		CT-M23R-GM-10-01
		CT-M23R-GM-10-02

Component part drawing



M23x 1 Male Panel Mount  
Receptacle, Field Assembly  
Socket, Shielded,  
Crimping Connection, Angled.

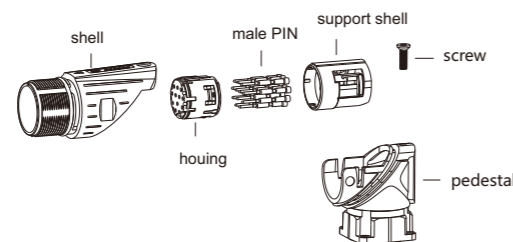


Technical Data

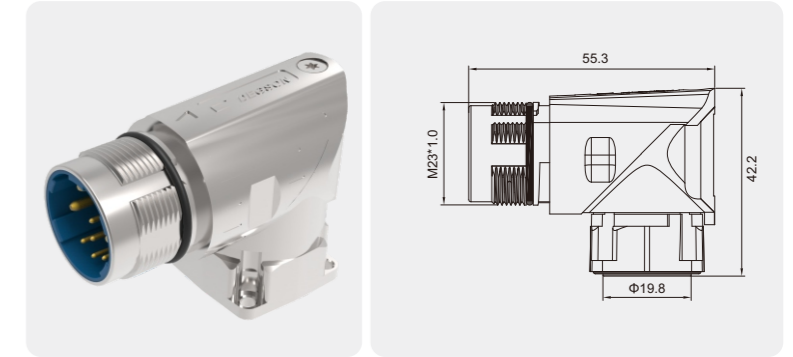
Series	M23, Male	Contact carriers material	PBT
Number of Pins	12, 17 Pin	Contact material	Copper Alloy, Gold-plated
Rated Current	7A	Metal shell	Zinc Alloy with Nickel Plated
Rated voltage	160V	Seal	Silicone
Insulation resistance	≥ 100MΩ	Shielding	Shielded
Withstand voltage	2.0KV AC	Mechanical life	≥ 500 mating cycles
Ambient temperature	- 20 ~ + 125°C	IP Class	IP67

Number of Pins		17 Pin
Coding	Front View	
Rated current	A.	7A
Rated voltage	V.	160V
Wire gauge		18-24AWG
Description		Order NO .
With the Pin		SCSH-M23R-17P-MM-SR7000-00A(H)
Without the Pin		S-M23R-17P-MM-SR7000-00A(H)
Pin		CT-M23R-GM-10-01
		CT-M23R-GM-10-02

Component part drawing



M23x 1 Male Panel Mount  
Receptacle, Field Assembly  
Socket, Shielded, Crimping  
Connection, Angled.

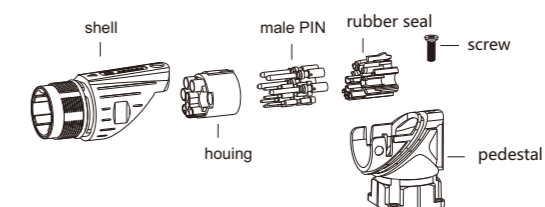


Technical Data

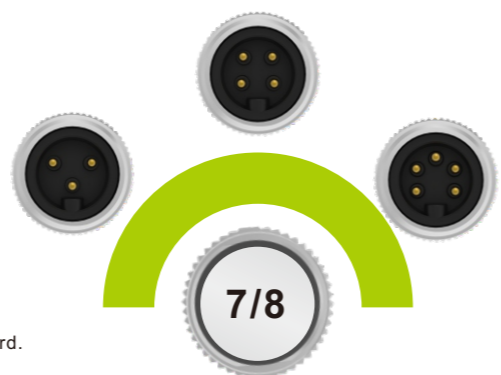
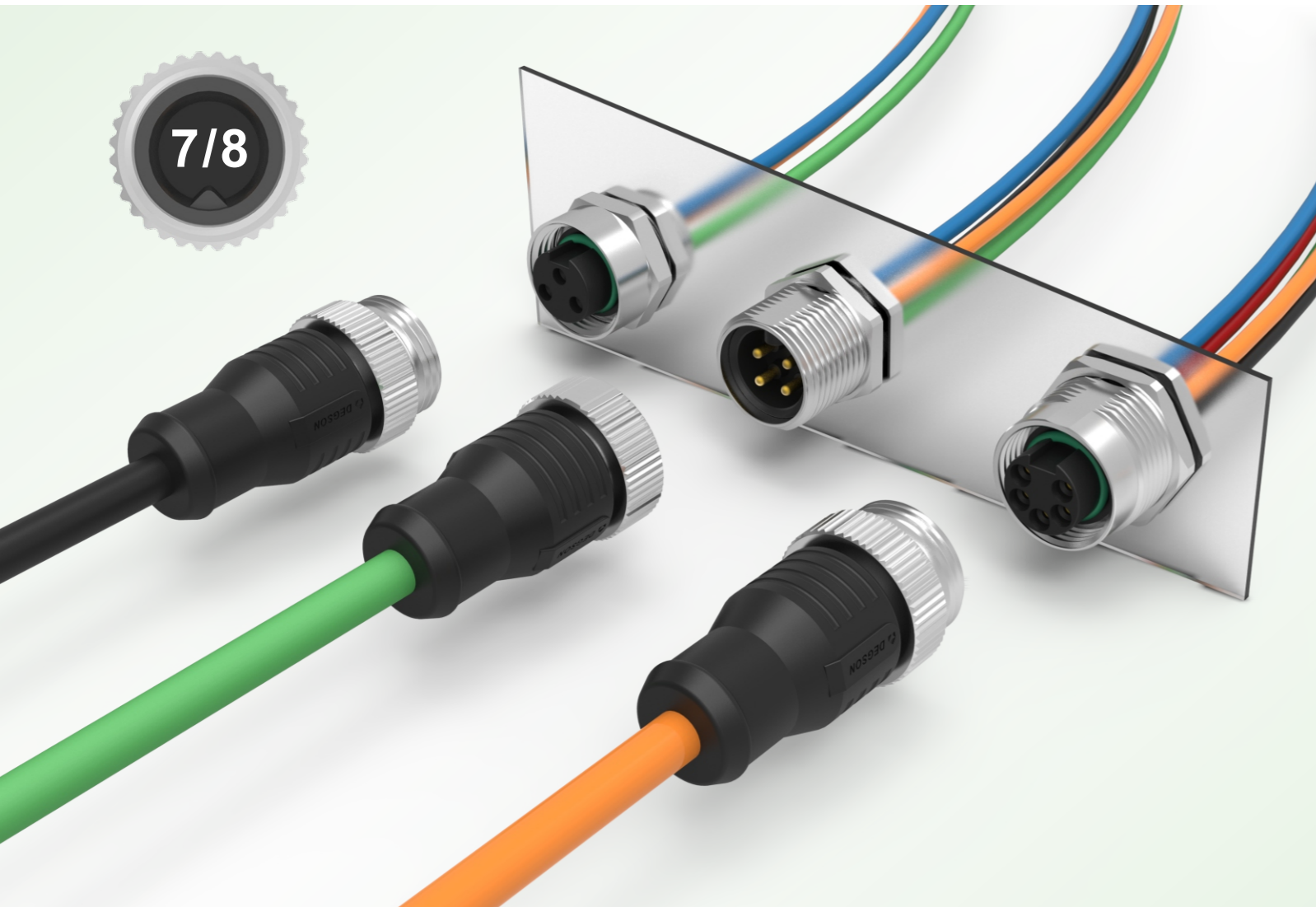
Series	M23, Female	Contact carriers material	PBT
Number of Pins	5+3+PE	Contact material	Copper Alloy, Gold-plated
Rated Current	Power: 30A	Metal shell	Zinc Alloy with Nickel Plated
	Signal: 7A	Seal	Silicone
Rated voltage	Power: 630V	Shielding	Shielded
	Signal: 250V	Mechanical life	≥ 500 mating cycles
Insulation resistance	≥ 100MΩ	IP Class	IP67
Withstand voltage	3.5KV AC max.	—	—
Ambient temperature	- 20 ~ + 125°C	—	—

Number of Pins		5+3+PE Pin
Coding	Front View	
Rated current	A.	30A / 7A
Rated voltage	V.	630V / 250V
Wire gauge		18-28AWG
Description		Order NO .
With the Pin		SCSH-M23L-09P-MM-SR7000-00A(H)
Without the Pin		S-M23L-09P-MM-SR7000-00A(H)
Pin		CT-M23R-GM-10-01
		CT-M23R-GM-10-02

Component part drawing







**Advantages**

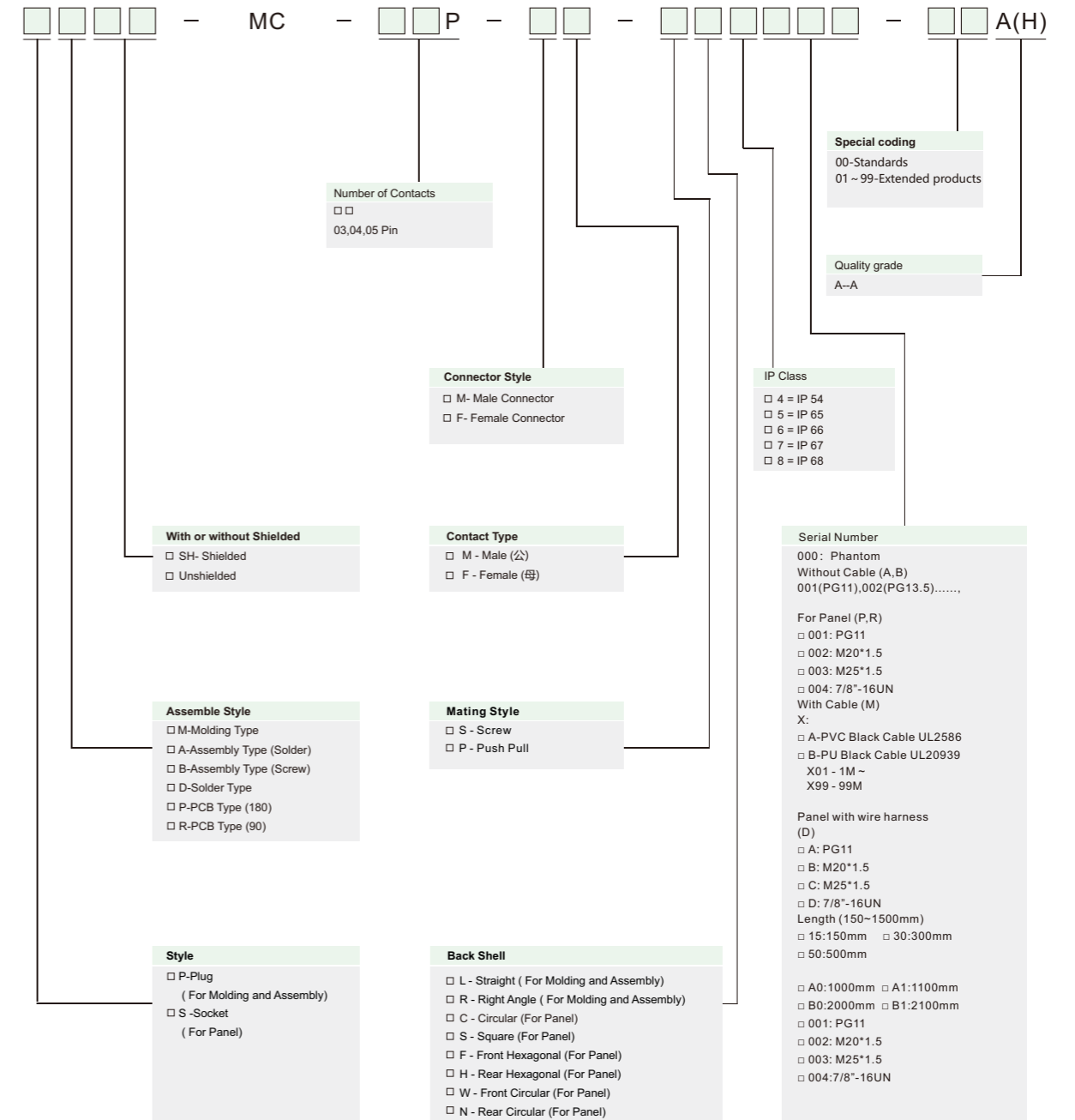
- Good sealing performance ,with IP class up to IP 68.
- Dimension optimization,save space.
- Shield is optional,provide reliable electromagnetic protection.
- Wire connection method is optional, suitable for continuous shock and vibration environment.
- Connection technology is suitable for all application field.
- Compatible with same series connectors on the market.

**Features**

- Cable material: PUR, PVC.
- IP-class: IP68.
- Shield is optional.
- Wire connection is optional.
- Compliance with IEC 61076 standard.

**Circular Connectors Part Number**

**Circular Connectors Part Number Reference**



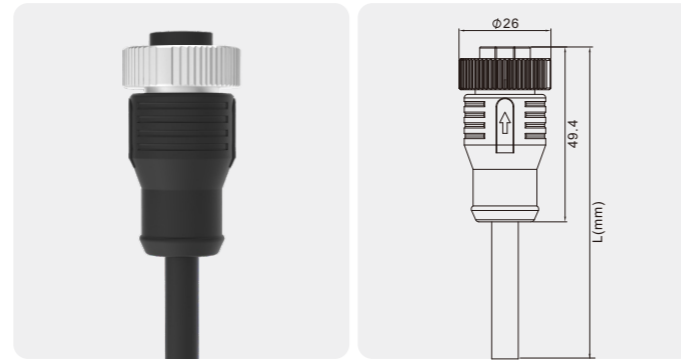
For example:

1. 7/8" female plug 5Pin: PM-MC-05P-FF-SL8A01-00A(H)

Details: Plastic covered at the end of wire, 7/8" , 5Pin, female socket female Pin, thread locked, straight head, IP68, PVC black kacket. Covered by UL2586 wire, the length of 1.0M, standard products.

2. Delete "-", "decimal point", "()", "space", than it 's the finish product number, such as: PMMC05PFFSL8A0100AH.

7/8" Female Overmolded with Cable Plug, Single end, Unshielded, Straight.

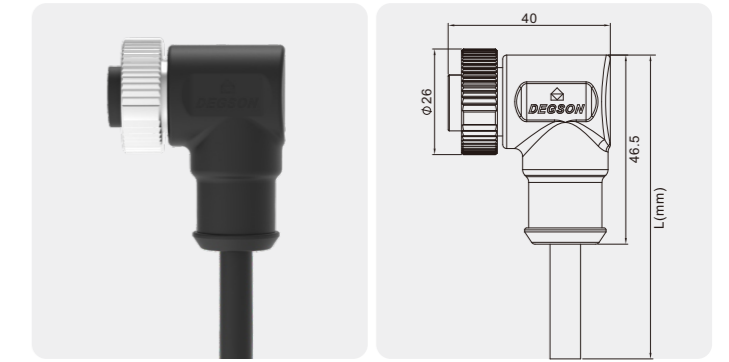


Technical Data

Series	7-8" Female, Straight	Contact carriers material	PA
Number of Pins	03,04,05 Pin	Contact material	Copper Alloy, Gold-plated
Rated Current	13A max.	Metal of nut	Copper Alloy with Nickel Plated
Rated voltage	300V max.	Seal	Silicone
Insulation resistance	≥ 100MΩ	Cable jacket material	PUR / PVC
Contact resistance	≤ 5mΩ	Shielding	Unshielded
Ambient temperature	- 25 ~ + 80°C	Mechanical life	> 100 mating cycles
IP Class	IP68	—	—
—	—	—	—

Number of Pins		03 Pin	04 Pin	05 Pin
Coding	Coded	A-Coded	A-Coded	A-Coded
	Front View			
Rated current	A.	13A	13A	9A
Rated voltage	V.	300V	300V	300V
Wire/Cable	Wire gauge	16AWG	16AWG	16AWG
	Cross section	1.5mm <sup>2</sup>	1.5mm <sup>2</sup>	1.5mm <sup>2</sup>
	Wiring list	PE,GN/YE 2.BN 3.BU	1.BK 2.BU 3.BN 4.WH	1.BK 2.BU PE,GN/YE 4.BN 5.WH
Description		Order NO .	Order NO .	Order NO .
PVC	1m	PM-MC-03P-FF-SL8A01-00A(H)	PM-MC-04P-FF-SL8A01-00A(H)	PM-MC-05P-FF-SL8A01-00A(H)
	3m	PM-MC-03P-FF-SL8A03-00A(H)	PM-MC-04P-FF-SL8A03-00A(H)	PM-MC-05P-FF-SL8A03-00A(H)
	5m	PM-MC-03P-FF-SL8A05-00A(H)	PM-MC-04P-FF-SL8A05-00A(H)	PM-MC-05P-FF-SL8A05-00A(H)
	Customized	.....	.....	.....
PUR	1m	PM-MC-03P-FF-SL8B01-00A(H)	PM-MC-04P-FF-SL8B01-00A(H)	PM-MC-05P-FF-SL8B01-00A(H)
	3m	PM-MC-03P-FF-SL8B03-00A(H)	PM-MC-04P-FF-SL8B03-00A(H)	PM-MC-05P-FF-SL8B03-00A(H)
	5m	PM-MC-03P-FF-SL8B05-00A(H)	PM-MC-04P-FF-SL8B05-00A(H)	PM-MC-05P-FF-SL8B05-00A(H)
	Customized	.....	.....	.....

7/8" Female Overmolded with Cable Plug, Single end, Unshielded, Angled.

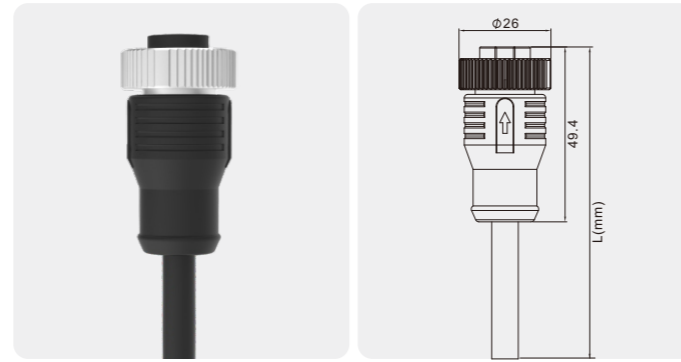


Technical Data

Series	7-8" Female, Angled	Contact carriers material	PA
Number of Pins	03,04,05 Pin	Contact material	Copper Alloy, Gold-plated
Rated Current	13A max.	Metal of nut	Copper Alloy with Nickel Plated
Rated voltage	300V max.	Seal	Silicone
Insulation resistance	≥ 100MΩ	Cable jacket material	PUR / PVC
Contact resistance	≤ 5mΩ	Shielding	Unshielded
Ambient temperature	- 25 ~ + 80°C	Mechanical life	> 100 mating cycles
IP Class	IP68	—	—
—	—	—	—

Number of Pins		03 Pin	04 Pin	05 Pin
Coding	Coded	A-Coded	A-Coded	A-Coded
	Front View			
Rated current	A.	13A	13A	9A
Rated voltage	V.	300V	300V	300V
Wire/Cable	Wire gauge	16AWG	16AWG	16AWG
	Cross section	1.5mm <sup>2</sup>	1.5mm <sup>2</sup>	1.5mm <sup>2</sup>
	Wiring list	PE,GN/YE 2.BN 3.BU	1.BK 2.BU 3.BN 4.WH	1.BK 2.BU PE,GN/YE 4.BN 5.WH
Description		Order NO .	Order NO .	Order NO .
PVC	1m	PM-MC-03P-FF-SR8A01-00A(H)	PM-MC-04P-FF-SR8A01-00A(H)	PM-MC-05P-FF-SR8A01-00A(H)
	3m	PM-MC-03P-FF-SR8A03-00A(H)	PM-MC-04P-FF-SR8A03-00A(H)	PM-MC-05P-FF-SR8A03-00A(H)
	5m	PM-MC-03P-FF-SR8A05-00A(H)	PM-MC-04P-FF-SR8A05-00A(H)	PM-MC-05P-FF-SR8A05-00A(H)
	Customized	.....	.....	.....
PUR	1m	PM-MC-03P-FF-SR8B01-00A(H)	PM-MC-04P-FF-SR8B01-00A(H)	PM-MC-05P-FF-SR8B01-00A(H)
	3m	PM-MC-03P-FF-SR8B03-00A(H)	PM-MC-04P-FF-SR8B03-00A(H)	PM-MC-05P-FF-SR8B03-00A(H)
	5m	PM-MC-03P-FF-SR8B05-00A(H)	PM-MC-04P-FF-SR8B05-00A(H)	PM-MC-05P-FF-SR8B05-00A(H)
	Customized	.....	.....	.....

7/8" Female Overmolded with Cable Plug, Single end, Shielded, Straight.

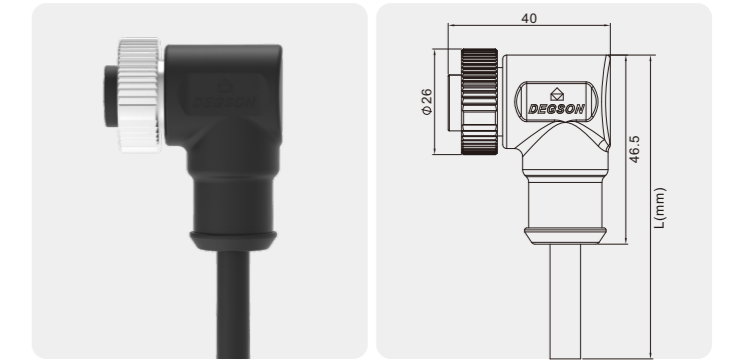


Technical Data

Series	7-8" Female, Straight	Contact carriers material	PA
Number of Pins	03,04,05 Pin	Contact material	Copper Alloy, Gold-plated
Rated Current	13A max.	Metal of nut	Copper Alloy with Nickel Plated
Rated voltage	300V max.	Seal	Silicone
Insulation resistance	≥ 100MΩ	Cable jacket material	PUR / PVC
Contact resistance	≤ 5mΩ	Shielding	Shielded
Ambient temperature	- 25 ~ + 80°C	Mechanical life	> 100 mating cycles
IP Class	IP68	—	—
—	—	—	—

Number of Pins		03 Pin	04 Pin	05 Pin
Coding	Coded	A-Coded	A-Coded	A-Coded
	Front View			
Rated current	A.	13A	13A	9A
Rated voltage	V.	300V	300V	300V
Wire/Cable	Wire gauge	16AWG	16AWG	16AWG
	Cross section	1.5mm <sup>2</sup>	1.5mm <sup>2</sup>	1.5mm <sup>2</sup>
	Wiring list	PE,GN/YE 2.BN 3.BU	1.BK 2.BU 3.BN 4.WH	1.BK 2.BU PE,GN/YE 4.BN 5.WH
Description	Order NO .	Order NO .	Order NO .	
PVC	1m	PMSH-MC-03P-FF-SL8A01-00A(H)	PMSH-MC-04P-FF-SL8A01-00A(H)	PMSH-MC-05P-FF-SL8A01-00A(H)
	3m	PMSH-MC-03P-FF-SL8A03-00A(H)	PMSH-MC-04P-FF-SL8A03-00A(H)	PMSH-MC-05P-FF-SL8A03-00A(H)
	5m	PMSH-MC-03P-FF-SL8A05-00A(H)	PMSH-MC-04P-FF-SL8A05-00A(H)	PMSH-MC-05P-FF-SL8A05-00A(H)
	Customized	.....	.....	.....
PUR	1m	PMSH-MC-03P-FF-SL8B01-00A(H)	PMSH-MC-04P-FF-SL8B01-00A(H)	PMSH-MC-05P-FF-SL8B01-00A(H)
	3m	PMSH-MC-03P-FF-SL8B03-00A(H)	PMSH-MC-04P-FF-SL8B03-00A(H)	PMSH-MC-05P-FF-SL8B03-00A(H)
	5m	PMSH-MC-03P-FF-SL8B05-00A(H)	PMSH-MC-04P-FF-SL8B05-00A(H)	PMSH-MC-05P-FF-SL8B05-00A(H)
	Customized	.....	.....	.....

7/8" Female Overmolded with Cable Plug, Single end, Shielded, Angled.

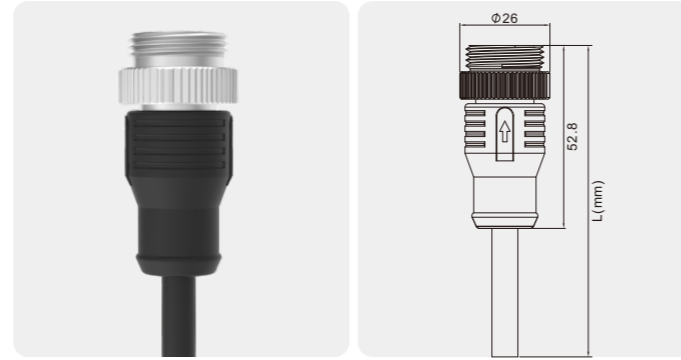


Technical Data

Series	7-8" Female, Angled	Contact carriers material	PA
Number of Pins	03,04,05 Pin	Contact material	Copper Alloy, Gold-plated
Rated Current	13A max.	Metal of nut	Copper Alloy with Nickel Plated
Rated voltage	300V max.	Seal	Silicone
Insulation resistance	≥ 100MΩ	Cable jacket material	PUR / PVC
Contact resistance	≤ 5mΩ	Shielding	Shielded
Ambient temperature	- 25 ~ + 80°C	Mechanical life	> 100 mating cycles
IP Class	IP68	—	—
—	—	—	—

Number of Pins		03 Pin	04 Pin	05 Pin
Coding	Coded	A-Coded	A-Coded	A-Coded
	Front View			
Rated current	A.	13A	13A	9A
Rated voltage	V.	300V	300V	300V
Wire/Cable	Wire gauge	16AWG	16AWG	16AWG
	Cross section	1.5mm <sup>2</sup>	1.5mm <sup>2</sup>	1.5mm <sup>2</sup>
	Wiring list	PE,GN/YE 2.BN 3.BU	1.BK 2.BU 3.BN 4.WH	1.BK 2.BU PE,GN/YE 4.BN 5.WH
Description	Order NO .	Order NO .	Order NO .	
PVC	1m	PMSH-MC-03P-FF-SR8A01-00A(H)	PMSH-MC-04P-FF-SR8A01-00A(H)	PMSH-MC-05P-FF-SR8A01-00A(H)
	3m	PMSH-MC-03P-FF-SR8A03-00A(H)	PMSH-MC-04P-FF-SR8A03-00A(H)	PMSH-MC-05P-FF-SR8A03-00A(H)
	5m	PMSH-MC-03P-FF-SR8A05-00A(H)	PMSH-MC-04P-FF-SR8A05-00A(H)	PMSH-MC-05P-FF-SR8A05-00A(H)
	Customized	.....	.....	.....
PUR	1m	PMSH-MC-03P-FF-SR8B01-00A(H)	PMSH-MC-04P-FF-SR8B01-00A(H)	PMSH-MC-05P-FF-SR8B01-00A(H)
	3m	PMSH-MC-03P-FF-SR8B03-00A(H)	PMSH-MC-04P-FF-SR8B03-00A(H)	PMSH-MC-05P-FF-SR8B03-00A(H)
	5m	PMSH-MC-03P-FF-SR8B05-00A(H)	PMSH-MC-04P-FF-SR8B05-00A(H)	PMSH-MC-05P-FF-SR8B05-00A(H)
	Customized	.....	.....	.....

7/8" Male Overmolded with Cable Plug, Single end, Unshielded, Straight.

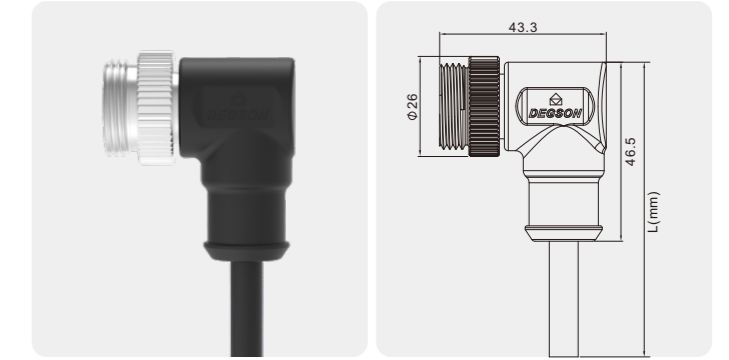


Technical Data

Series	7-8" Male, Straight	Contact carriers material	PA
Number of Pins	03,04,05 Pin	Contact material	Copper Alloy, Gold-plated
Rated Current	13A max.	Metal of nut	Copper Alloy with Nickel Plated
Rated voltage	300V max.	Seal	Silicone
Insulation resistance	≥ 100MΩ	Cable jacket material	PUR / PVC
Contact resistance	≤ 5mΩ	Shielding	Unshielded
Ambient temperature	- 25 ~ + 80°C	Mechanical life	> 100 mating cycles
IP Class	IP68	—	—
—	—	—	—

Number of Pins		03 Pin	04 Pin	05 Pin
Coding	Coded	A-Coded	A-Coded	A-Coded
	Front View			
Rated current	A.	13A	13A	9A
Rated voltage	V.	300V	300V	300V
Wire/Cable	Wire gauge	16AWG	16AWG	16AWG
	Cross section	1.5mm <sup>2</sup>	1.5mm <sup>2</sup>	1.5mm <sup>2</sup>
	Wiring list	PE,GN/YE 2.BN 3.BU	1.BK 2.BU 3.BN 4.WH	1.BK 2.BU PE,GN/YE 4.BN 5.WH
Description	Order NO .	Order NO .	Order NO .	
PVC	1m	PM-MC-03P-MM-SL8A01-00A(H)	PM-MC-04P-MM-SL8A01-00A(H)	PM-MC-05P-MM-SL8A01-00A(H)
	3m	PM-MC-03P-MM-SL8A03-00A(H)	PM-MC-04P-MM-SL8A03-00A(H)	PM-MC-05P-MM-SL8A03-00A(H)
	5m	PM-MC-03P-MM-SL8A05-00A(H)	PM-MC-04P-MM-SL8A05-00A(H)	PM-MC-05P-MM-SL8A05-00A(H)
	Customized	.....	.....	.....
PUR	1m	PM-MC-03P-MM-SL8B01-00A(H)	PM-MC-04P-MM-SL8B01-00A(H)	PM-MC-05P-MM-SL8B01-00A(H)
	3m	PM-MC-03P-MM-SL8B03-00A(H)	PM-MC-04P-MM-SL8B03-00A(H)	PM-MC-05P-MM-SL8B03-00A(H)
	5m	PM-MC-03P-MM-SL8B05-00A(H)	PM-MC-04P-MM-SL8B05-00A(H)	PM-MC-05P-MM-SL8B05-00A(H)
	Customized	.....	.....	.....

7/8" Male Overmolded with Cable Plug, Single end, Unshielded, Angled.

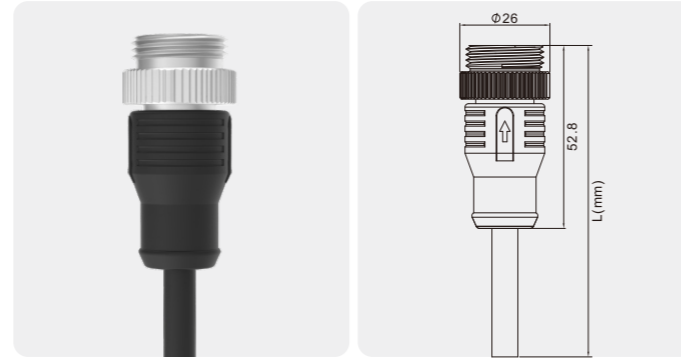


Technical Data

Series	7-8" Male, Angled	Contact carriers material	PA
Number of Pins	03,04,05 Pin	Contact material	Copper Alloy, Gold-plated
Rated Current	13A max.	Metal of nut	Copper Alloy with Nickel Plated
Rated voltage	300V max.	Seal	Silicone
Insulation resistance	≥ 100MΩ	Cable jacket material	PUR / PVC
Contact resistance	≤ 5mΩ	Shielding	Unshielded
Ambient temperature	- 25 ~ + 80°C	Mechanical life	> 100 mating cycles
IP Class	IP68	—	—
—	—	—	—

Number of Pins		03 Pin	04 Pin	05 Pin
Coding	Coded	A-Coded	A-Coded	A-Coded
	Front View			
Rated current	A.	13A	13A	9A
Rated voltage	V.	300V	300V	300V
Wire/Cable	Wire gauge	16AWG	16AWG	16AWG
	Cross section	1.5mm <sup>2</sup>	1.5mm <sup>2</sup>	1.5mm <sup>2</sup>
	Wiring list	PE,GN/YE 2.BN 3.BU	1.BK 2.BU 3.BN 4.WH	1.BK 2.BU PE,GN/YE 4.BN 5.WH
Description	Order NO .	Order NO .	Order NO .	
PVC	1m	PM-MC-03P-MM-SR8A01-00A(H)	PM-MC-04P-MM-SR8A01-00A(H)	PM-MC-05P-MM-SR8A01-00A(H)
	3m	PM-MC-03P-MM-SR8A03-00A(H)	PM-MC-04P-MM-SR8A03-00A(H)	PM-MC-05P-MM-SR8A03-00A(H)
	5m	PM-MC-03P-MM-SR8A05-00A(H)	PM-MC-04P-MM-SR8A05-00A(H)	PM-MC-05P-MM-SR8A05-00A(H)
	Customized	.....	.....	.....
PUR	1m	PM-MC-03P-MM-SR8B01-00A(H)	PM-MC-04P-MM-SR8B01-00A(H)	PM-MC-05P-MM-SR8B01-00A(H)
	3m	PM-MC-03P-MM-SR8B03-00A(H)	PM-MC-04P-MM-SR8B03-00A(H)	PM-MC-05P-MM-SR8B03-00A(H)
	5m	PM-MC-03P-MM-SR8B05-00A(H)	PM-MC-04P-MM-SR8B05-00A(H)	PM-MC-05P-MM-SR8B05-00A(H)
	Customized	.....	.....	.....

7/8" Male Overmolded with Cable Plug, Single end, Shielded, Straight.

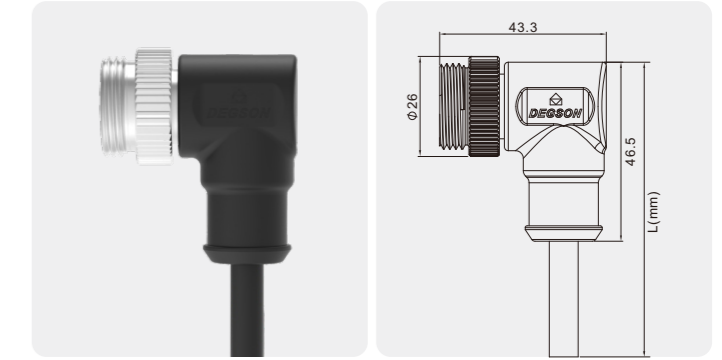


Technical Data

Series	7-8" Male, Straight	Contact carriers material	PA
Number of Pins	03,04,05 Pin	Contact material	Copper Alloy, Gold-plated
Rated Current	13A max.	Metal of nut	Copper Alloy with Nickel Plated
Rated voltage	300V max.	Seal	Silicone
Insulation resistance	≥ 100MΩ	Cable jacket material	PUR / PVC
Contact resistance	≤ 5mΩ	Shielding	Shielded
Ambient temperature	- 25 ~ + 80°C	Mechanical life	> 100 mating cycles
IP Class	IP68	—	—
—	—	—	—

Number of Pins		03 Pin	04 Pin	05 Pin
Coding	Coded	A-Coded	A-Coded	A-Coded
	Front View			
Rated current	A.	13A	13A	9A
Rated voltage	V.	300V	300V	300V
Wire/Cable	Wire gauge	16AWG	16AWG	16AWG
	Cross section	1.5mm <sup>2</sup>	1.5mm <sup>2</sup>	1.5mm <sup>2</sup>
	Wiring list	PE.GN/YE 2.BN 3.BU	1.BK 2.BU 3.BN 4.WH	1.BK 2.BU PE.GN/YE 4.BN 5.WH
Description	Order NO .	Order NO .	Order NO .	
PVC	1m	PMSH-MC-03P-MM-SL8A01-00A(H)	PMSH-MC-04P-MM-SL8A01-00A(H)	PMSH-MC-05P-MM-SL8A01-00A(H)
	3m	PMSH-MC-03P-MM-SL8A03-00A(H)	PMSH-MC-04P-MM-SL8A03-00A(H)	PMSH-MC-05P-MM-SL8A03-00A(H)
	5m	PMSH-MC-03P-MM-SL8A05-00A(H)	PMSH-MC-04P-MM-SL8A05-00A(H)	PMSH-MC-05P-MM-SL8A05-00A(H)
	Customized	.....	.....	.....
PUR	1m	PMSH-MC-03P-MM-SL8B01-00A(H)	PMSH-MC-04P-MM-SL8B01-00A(H)	PMSH-MC-05P-MM-SL8B01-00A(H)
	3m	PMSH-MC-03P-MM-SL8B03-00A(H)	PMSH-MC-04P-MM-SL8B03-00A(H)	PMSH-MC-05P-MM-SL8B03-00A(H)
	5m	PMSH-MC-03P-MM-SL8B05-00A(H)	PMSH-MC-04P-MM-SL8B05-00A(H)	PMSH-MC-05P-MM-SL8B05-00A(H)
	Customized	.....	.....	.....

7/8" Male Overmolded with Cable Plug, Single end, Shielded, Angled.

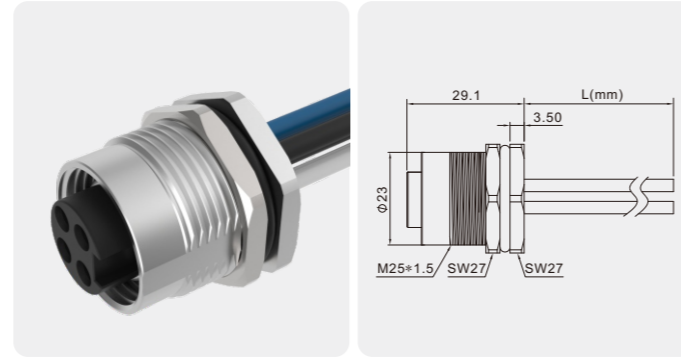


Technical Data

Series	7-8" Male, Angled	Contact carriers material	PA
Number of Pins	03,04,05 Pin	Contact material	Copper Alloy, Gold-plated
Rated Current	13A max.	Metal of nut	Copper Alloy with Nickel Plated
Rated voltage	300V max.	Seal	Silicone
Insulation resistance	≥ 100MΩ	Cable jacket material	PUR / PVC
Contact resistance	≤ 5mΩ	Shielding	Shielded
Ambient temperature	- 25 ~ + 80°C	Mechanical life	> 100 mating cycles
IP Class	IP68	—	—
—	—	—	—

Number of Pins		03 Pin	04 Pin	05 Pin
Coding	Coded	A-Coded	A-Coded	A-Coded
	Front View			
Rated current	A.	13A	13A	9A
Rated voltage	V.	300V	300V	300V
Wire/Cable	Wire gauge	16AWG	16AWG	16AWG
	Cross section	1.5mm <sup>2</sup>	1.5mm <sup>2</sup>	1.5mm <sup>2</sup>
	Wiring list	PE.GN/YE 2.BN 3.BU	1.BK 2.BU 3.BN 4.WH	1.BK 2.BU PE.GN/YE 4.BN 5.WH
Description	Order NO .	Order NO .	Order NO .	
PVC	1m	PMSH-MC-03P-MM-SR8A01-00A(H)	PMSH-MC-04P-MM-SR8A01-00A(H)	PMSH-MC-05P-MM-SR8A01-00A(H)
	3m	PMSH-MC-03P-MM-SR8A03-00A(H)	PMSH-MC-04P-MM-SR8A03-00A(H)	PMSH-MC-05P-MM-SR8A03-00A(H)
	5m	PMSH-MC-03P-MM-SR8A05-00A(H)	PMSH-MC-04P-MM-SR8A05-00A(H)	PMSH-MC-05P-MM-SR8A05-00A(H)
	Customized	.....	.....	.....
PUR	1m	PMSH-MC-03P-MM-SR8B01-00A(H)	PMSH-MC-04P-MM-SR8B01-00A(H)	PMSH-MC-05P-MM-SR8B01-00A(H)
	3m	PMSH-MC-03P-MM-SR8B03-00A(H)	PMSH-MC-04P-MM-SR8B03-00A(H)	PMSH-MC-05P-MM-SR8B03-00A(H)
	5m	PMSH-MC-03P-MM-SR8B05-00A(H)	PMSH-MC-04P-MM-SR8B05-00A(H)	PMSH-MC-05P-MM-SR8B05-00A(H)
	Customized	.....	.....	.....

7/8" Female Panel Mount Receptacle ,  
Rear Mounting, with 0.5m wires.

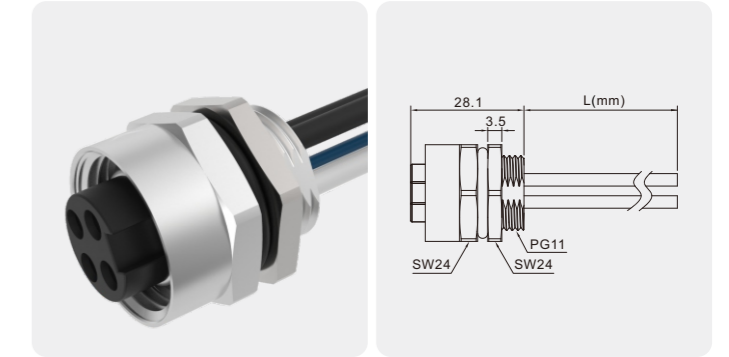


Technical Data

Series	7-8" Female	Contact carriers material	PA
Number of Pins	03,04,05 Pin	Contact material	Copper Alloy, Gold-plated
Rated Current	13A max.	Metal of nut	Copper Alloy with Nickel Plated
Rated voltage	300V max.	Seal	NBR
Insulation resistance	≥ 100MΩ	Cable jacket material	PUR / PVC
Contact resistance	≤ 5mΩ	Shielding	Unshielded
Ambient temperature	- 25 ~ + 80°C	Mechanical life	> 100 mating cycles
IP Class	IP68	—	—
—	—	—	—

Number of Pins		03 Pin	04 Pin	05 Pin
Coding	Coded	A-Coded	A-Coded	A-Coded
	Front View			
Rated current	A.	13A	13A	9A
Rated voltage	V.	300V	300V	300V
Wire/Cable	Wire gauge	16AWG	16AWG	16AWG
	Cross section	1.5mm <sup>2</sup>	1.5mm <sup>2</sup>	1.5mm <sup>2</sup>
	Wiring list	PE.GN/YE 2.BN 3.BU	1.BK 2.BU 3.BN 4.WH	1.BK 2.BU PE.GN/YE 4.BN 5.WH
Description		Order NO .	Order NO .	Order NO .
M25*1.5	0.5m	SD-MC-03P-FF-SF8C50-00A(H)	SD-MC-04P-FF-SF8C50-00A(H)	SD-MC-05P-FF-SF8C50-00A(H)
	Customized	.....	.....	.....

7/8" Female Panel Mount Receptacle ,  
Front Mounting, with 0.5m wires.

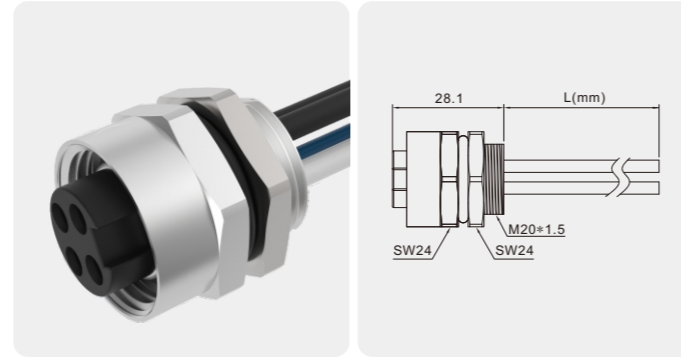


Technical Data

Series	7-8" Female	Contact carriers material	PA
Number of Pins	03,04,05 Pin	Contact material	Copper Alloy, Gold-plated
Rated Current	13A max.	Metal of nut	Copper Alloy with Nickel Plated
Rated voltage	300V max.	Seal	NBR
Insulation resistance	≥ 100MΩ	Cable jacket material	PUR / PVC
Contact resistance	≤ 5mΩ	Shielding	Unshielded
Ambient temperature	- 25 ~ + 80°C	Mechanical life	> 100 mating cycles
IP Class	IP68	—	—
—	—	—	—

Number of Pins		03 Pin	04 Pin	05 Pin
Coding	Coded	A-Coded	A-Coded	A-Coded
	Front View			
Rated current	A.	13A	13A	9A
Rated voltage	V.	300V	300V	300V
Wire/Cable	Wire gauge	16AWG	16AWG	16AWG
	Cross section	1.5mm <sup>2</sup>	1.5mm <sup>2</sup>	1.5mm <sup>2</sup>
	Wiring list	PE.GN/YE 2.BN 3.BU	1.BK 2.BU 3.BN 4.WH	1.BK 2.BU PE.GN/YE 4.BN 5.WH
Description		Order NO .	Order NO .	Order NO .
PG11	0.5m	SD-MC-03P-FF-SH8A50-00A(H)	SD-MC-04P-FF-SH8A50-00A(H)	SD-MC-05P-FF-SH8A50-00A(H)
	Customized	.....	.....	.....

7/8" Female Panel Mount Receptacle ,  
Front Mounting, with 0.5m wires.

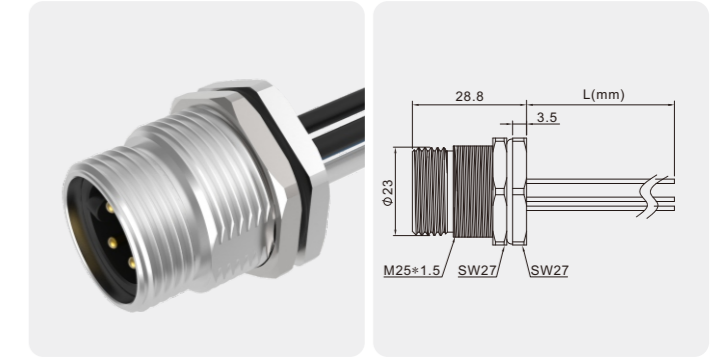


Technical Data

Series	7-8" Female	Contact carriers material	PA
Number of Pins	03,04,05 Pin	Contact material	Copper Alloy, Gold-plated
Rated Current	13A max.	Metal of nut	Copper Alloy with Nickel Plated
Rated voltage	300V max.	Seal	NBR
Insulation resistance	≥ 100MΩ	Cable jacket material	PUR / PVC
Contact resistance	≤ 5mΩ	Shielding	Unshielded
Ambient temperature	- 25 ~ + 80°C	Mechanical life	> 100 mating cycles
IP Class	IP68	—	—
—	—	—	—

Number of Pins		03 Pin	04 Pin	05 Pin
Coding	Coded	A-Coded	A-Coded	A-Coded
	Front View			
Rated current	A.	13A	13A	9A
Rated voltage	V.	300V	300V	300V
Wire/Cable	Wire gauge	16AWG	16AWG	16AWG
	Cross section	1.5mm <sup>2</sup>	1.5mm <sup>2</sup>	1.5mm <sup>2</sup>
	Wiring list	PE,GN/YE 2.BN 3.BU	1.BK 2.BU 3.BN 4.WH	1.BK 2.BU PE,GN/YE 4.BN 5.WH
Description		Order NO .	Order NO .	Order NO .
M20*1.5	0.5m	SD-MC-03P-FF-SH8B50-00A(H)	SD-MC-04P-FF-SH8B50-00A(H)	SD-MC-05P-FF-SH8B50-00A(H)
	Customized	.....	.....	.....

7/8" Male Panel Mount Receptacle ,  
Rear Mounting, with 0.5m wires.

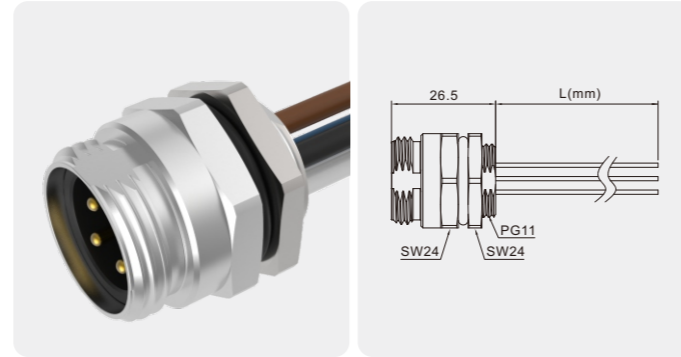


Technical Data

Series	7-8" Male	Contact carriers material	PA
Number of Pins	03,04,05 Pin	Contact material	Copper Alloy, Gold-plated
Rated Current	13A max.	Metal of nut	Copper Alloy with Nickel Plated
Rated voltage	300V max.	Seal	NBR
Insulation resistance	≥ 100MΩ	Cable jacket material	PUR / PVC
Contact resistance	≤ 5mΩ	Shielding	Unshielded
Ambient temperature	- 25 ~ + 80°C	Mechanical life	> 100 mating cycles
IP Class	IP68	—	—
—	—	—	—

Number of Pins		03 Pin	04 Pin	05 Pin
Coding	Coded	A-Coded	A-Coded	A-Coded
	Front View			
Rated current	A.	13A	13A	9A
Rated voltage	V.	300V	300V	300V
Wire/Cable	Wire gauge	16AWG	16AWG	16AWG
	Cross section	1.5mm <sup>2</sup>	1.5mm <sup>2</sup>	1.5mm <sup>2</sup>
	Wiring list	PE,GN/YE 2.BN 3.BU	1.BK 2.BU 3.BN 4.WH	1.BK 2.BU PE,GN/YE 4.BN 5.WH
Description		Order NO .	Order NO .	Order NO .
M25*1.5	0.5m	SD-MC-03P-MM-SF8C50-00A(H)	SD-MC-04P-MM-SF8C50-00A(H)	SD-MC-05P-MM-SF8C50-00A(H)
	Customized	.....	.....	.....

7/8" Male Panel Mount Receptacle ,  
Front Mounting, with 0.5m wires.

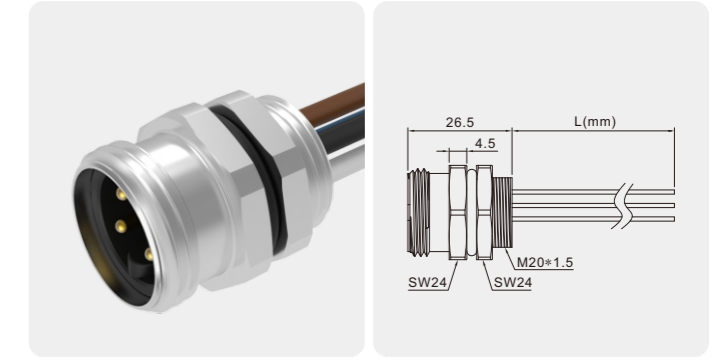


Technical Data

Series	7-8" Male	Contact carriers material	PA
Number of Pins	03,04,05 Pin	Contact material	Copper Alloy, Gold-plated
Rated Current	13A max.	Metal of nut	Copper Alloy with Nickel Plated
Rated voltage	300V max.	Seal	NBR
Insulation resistance	≥ 100MΩ	Cable jacket material	PUR / PVC
Contact resistance	≤ 5mΩ	Shielding	Unshielded
Ambient temperature	- 25 ~ + 80°C	Mechanical life	> 100 mating cycles
IP Class	IP68	—	—
—	—	—	—

Number of Pins		03 Pin	04 Pin	05 Pin
Coding	Coded	A-Coded	A-Coded	A-Coded
	Front View			
Rated current	A.	13A	13A	9A
Rated voltage	V.	300V	300V	300V
Wire/Cable	Wire gauge	16AWG	16AWG	16AWG
	Cross section	1.5mm <sup>2</sup>	1.5mm <sup>2</sup>	1.5mm <sup>2</sup>
	Wiring list	PE.GN/YE 2.BN 3.BU	1.BK 2.BU PE.GN/YE 3.BN 4.WH	1.BK 2.BU PE.GN/YE 4.BN 5.WH
Description		Order NO .	Order NO .	Order NO .
PG11	0.5m	SD-MC-03P-MM-SH8A50-00A(H)	SD-MC-04P-MM-SH8A50-00A(H)	SD-MC-05P-MM-SH8A50-00A(H)
	Customized	.....	.....	.....

7/8" Male Panel Mount Receptacle ,  
Front Mounting, with 0.5m wires.



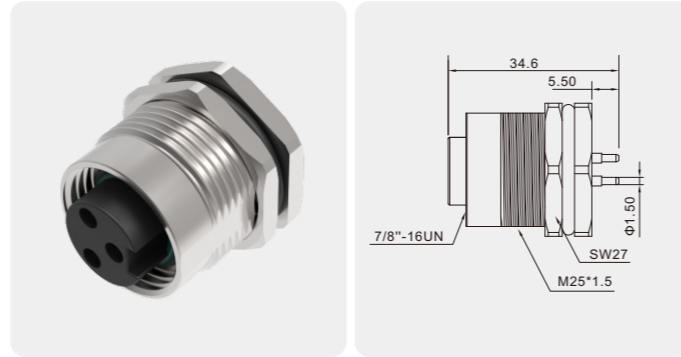
Technical Data

Series	7-8" Male	Contact carriers material	PA
Number of Pins	03,04,05 Pin	Contact material	Copper Alloy, Gold-plated
Rated Current	13A max.	Metal of nut	Copper Alloy with Nickel Plated
Rated voltage	300V max.	Seal	NBR
Insulation resistance	≥ 100MΩ	Cable jacket material	PUR / PVC
Contact resistance	≤ 5mΩ	Shielding	Unshielded
Ambient temperature	- 25 ~ + 80°C	Mechanical life	> 100 mating cycles
IP Class	IP68	—	—
—	—	—	—

Number of Pins		03 Pin	04 Pin	05 Pin
Coding	Coded	A-Coded	A-Coded	A-Coded
	Front View			
Rated current	A.	13A	13A	9A
Rated voltage	V.	300V	300V	300V
Wire/Cable	Wire gauge	16AWG	16AWG	16AWG
	Cross section	1.5mm <sup>2</sup>	1.5mm <sup>2</sup>	1.5mm <sup>2</sup>
	Wiring list	PE.GN/YE 2.BN 3.BU	1.BK 2.BU PE.GN/YE 3.BN 4.WH	1.BK 2.BU PE.GN/YE 4.BN 5.WH
Description		Order NO .	Order NO .	Order NO .
M20*1.5	0.5m	SD-MC-03P-MM-SH8B50-00A(H)	SD-MC-04P-MM-SH8B50-00A(H)	SD-MC-05P-MM-SH8B50-00A(H)
	Customized	.....	.....	.....



7/8" Female Panel Mount Receptacle ,  
Front Mounting, Unshielded, PCB  
Soldering.

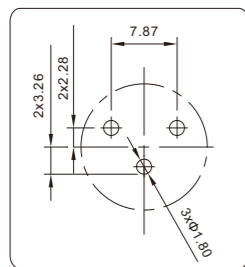


Technical Data

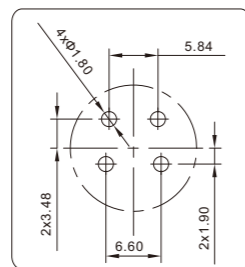
Series	7-8" Male	Contact carriers material	PA
Number of Pins	03,04,05 Pin	Contact material	Copper Alloy, Gold-plated
Rated Current	13A max.	Metal of nut	Copper Alloy with Nickel Plated
Rated voltage	600V max.	Seal	NBR
Insulation resistance	≥ 100MΩ	Shielding	Unshielded
Contact resistance	≤ 5mΩ	Mechanical life	> 100 mating cycles
Ambient temperature	- 25 ~ + 85°C	—	—
IP Class	IP68	—	—
—	—	—	—

Number of Pins		03 Pin	04 Pin	05 Pin
Coding	Coded	A-Coded	A-Coded	A-Coded
	Front View			
Rated current	A.	13A	13A	9A
Rated voltage	V.	600V	600V	600V
Description		Order NO .	Order NO .	Order NO .
M25*1.5	0.5m	SP-MC-03P-FF-SF8003-00A(H)	SP-MC-04P-FF-SF8003-00A(H)	SP-MC-05P-FF-SF8003-00A(H)
	Customized	.....	.....	.....

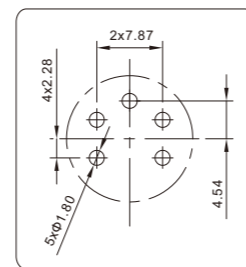
Dimension Figure



PCB Layout

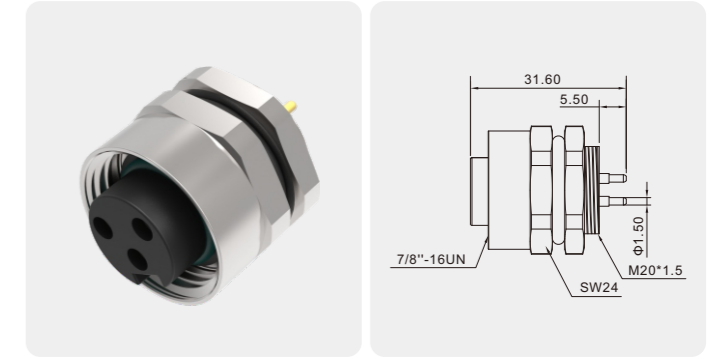


PCB Layout



PCB Layout

7/8" Female Panel Mount Receptacle ,  
Rear Mounting, Unshielded, PCB  
Soldering.

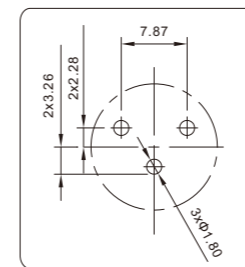


Technical Data

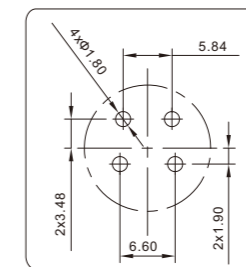
Series	7-8" Male	Contact carriers material	PA
Number of Pins	03,04,05 Pin	Contact material	Copper Alloy, Gold-plated
Rated Current	13A max.	Metal of nut	Copper Alloy with Nickel Plated
Rated voltage	600V max.	Seal	NBR
Insulation resistance	≥ 100MΩ	Shielding	Unshielded
Contact resistance	≤ 5mΩ	Mechanical life	> 100 mating cycles
Ambient temperature	- 25 ~ + 85°C	—	—
IP Class	IP68	—	—
—	—	—	—

Number of Pins		03 Pin	04 Pin	05 Pin
Coding	Coded	A-Coded	A-Coded	A-Coded
	Front View			
Rated current	A.	13A	13A	9A
Rated voltage	V.	600V	600V	600V
Description		Order NO .	Order NO .	Order NO .
M25*1.5	0.5m	SP-MC-03P-FF-SF8002-00A(H)	SP-MC-04P-FF-SF8002-00A(H)	SP-MC-05P-FF-SF8002-00A(H)
	Customized	.....	.....	.....

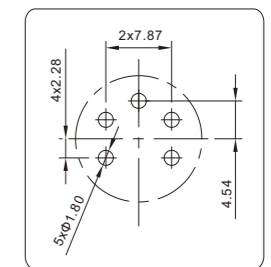
Dimension Figure



PCB Layout

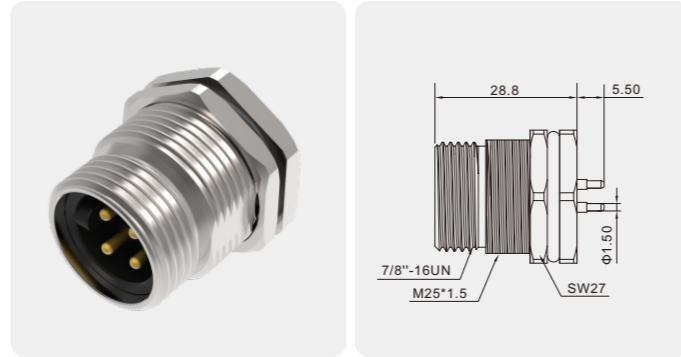


PCB Layout



PCB Layout

7/8" Male Panel Mount Receptacle ,  
Front Mounting, Unshielded, PCB  
Soldering.

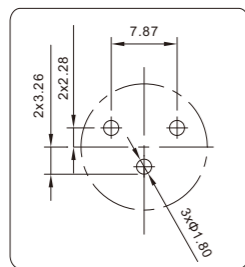


Technical Data

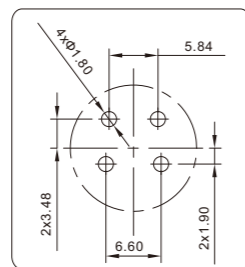
Series	7-8" Male	Contact carriers material	PA
Number of Pins	03,04,05 Pin	Contact material	Copper Alloy, Gold-plated
Rated Current	13A max.	Metal of nut	Copper Alloy with Nickel Plated
Rated voltage	600V max.	Seal	NBR
Insulation resistance	≥ 100MΩ	Shielding	Unshielded
Contact resistance	≤ 5mΩ	Mechanical life	> 100 mating cycles
Ambient temperature	- 25 ~ + 85°C	—	—
IP Class	IP68	—	—
—	—	—	—

Number of Pins		03 Pin	04 Pin	05 Pin
Coding	Coded	A-Coded	A-Coded	A-Coded
	Front View			
Rated current	A.	13A	13A	9A
Rated voltage	V.	600V	600V	600V
Description		Order NO .	Order NO .	Order NO .
M25*1.5	0.5m	SP-MC-03P-MM-SF8003-00A(H)	SP-MC-04P-MM-SF8003-00A(H)	SP-MC-05P-MM-SF8003-00A(H)
	Customized	.....	.....	.....

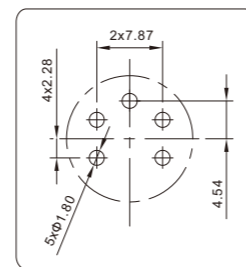
Dimension Figure



PCB Layout

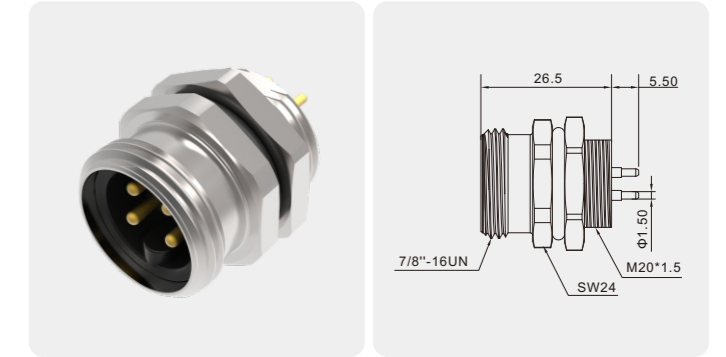


PCB Layout



PCB Layout

7/8" Male Panel Mount Receptacle ,  
Rear Mounting, Unshielded, PCB  
Soldering.

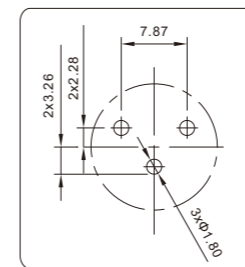


Technical Data

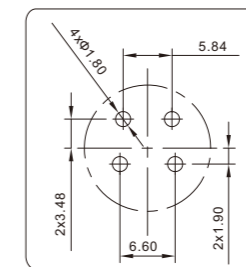
Series	7-8" Male	Contact carriers material	PA
Number of Pins	03,04,05 Pin	Contact material	Copper Alloy, Gold-plated
Rated Current	13A max.	Metal of nut	Copper Alloy with Nickel Plated
Rated voltage	600V max.	Seal	NBR
Insulation resistance	≥ 100MΩ	Shielding	Unshielded
Contact resistance	≤ 5mΩ	Mechanical life	> 100 mating cycles
Ambient temperature	- 25 ~ + 85°C	—	—
IP Class	IP68	—	—
—	—	—	—

Number of Pins		03 Pin	04 Pin	05 Pin
Coding	Coded	A-Coded	A-Coded	A-Coded
	Front View			
Rated current	A.	13A	13A	9A
Rated voltage	V.	600V	600V	600V
Description		Order NO .	Order NO .	Order NO .
M25*1.5	0.5m	SP-MC-03P-MM-SF8002-00A(H)	SP-MC-04P-MM-SF8002-00A(H)	SP-MC-05P-MM-SF8002-00A(H)
	Customized	.....	.....	.....

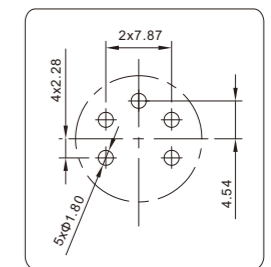
Dimension Figure



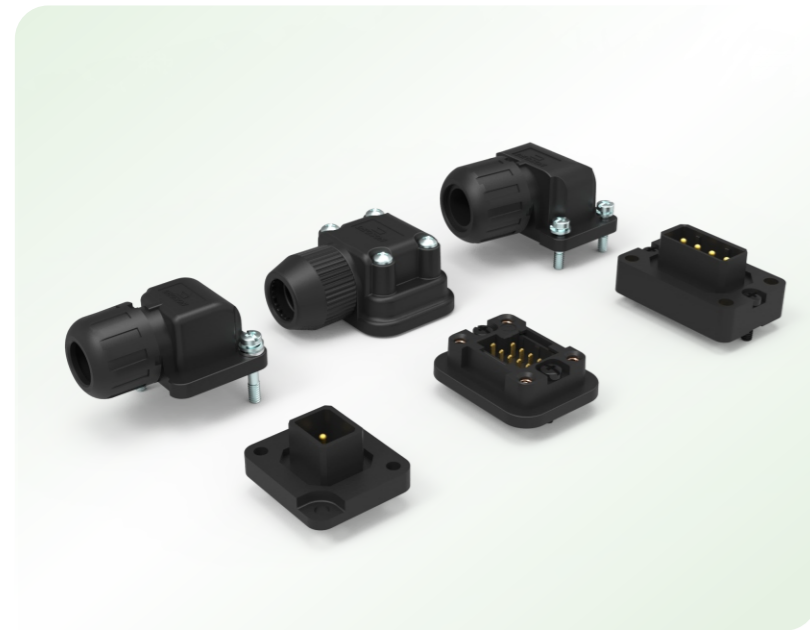
PCB Layout



PCB Layout



PCB Layout



### Advantages / Features

- Special connector for servo motor.
- High waterproof class IP67.
- Suitable for high temperature and high frequency vibration environments.
- Quick and easy to assemble, self-contained grounding function can be freely choosed.
- The servo motor is upgraded to replace.

## 2 Pin Servo connector.

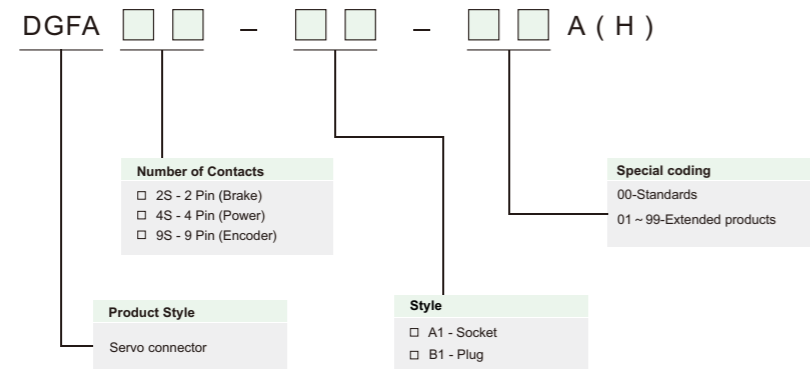


### Technical Data

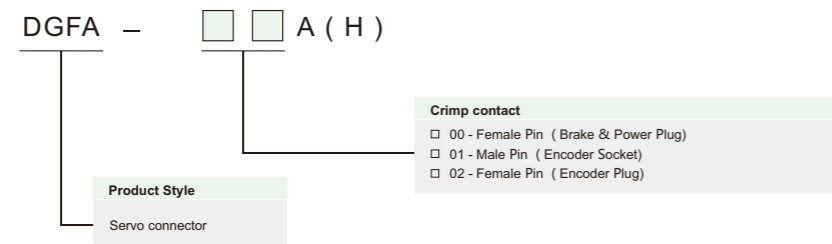
Series	Servo connector	Contact carriers material	PA , PBT
Number of Pins	2 Pin	Contact material	Copper Alloy, Gold-plated
Rated Current	7A	Seal	Silicone
Rated voltage	250V	Mechanical life	> 100 mating cycles
Insulation resistance	> 100MΩ		—
Contact resistance	≤5mΩ		—
Ambient temperature	- 20 ~ + 105°C		—
IP Class	IP67		—

### Servo Connector Part Number

#### Servo Connector Part Number Reference



#### Servo Connector Crimp contact Part Number Reference



For example:

1. DGFA2S-A1-00A(H)

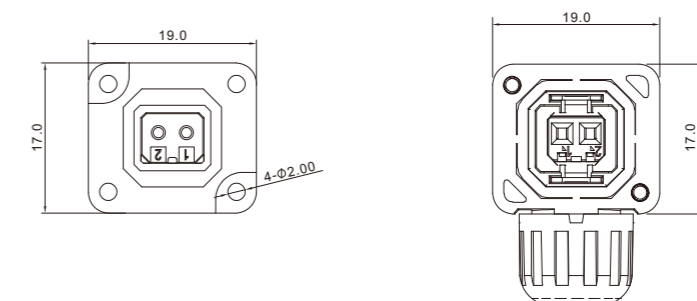
Details: 2 Pin(Brake) Servo connector socket .

2. Delete "-", "decimal point", "()", "space", then it's the finish product number, such as: PMM12A05PFFSL8A0100AH.

Servo connector all specifications waterproof rating defaults to IP67.

Order NO .	DGFA2S-A1-00A(H)	DGFA2S-B1-00A(H)	DGFA-00A(H)
Front View			

### Dimension Figure



4 Pin Servo connector.

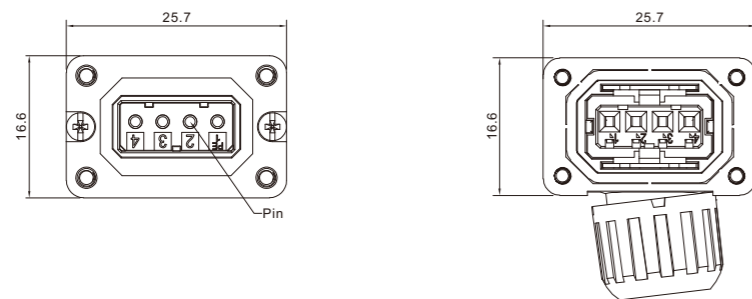


Technical Data

Series	Servo connector	Contact carriers material	PA, PBT
Number of Pins	4 Pin	Contact material	Copper Alloy, Gold-plated
Rated Current	7A	Seal	Silicone
Rated voltage	250V	Mechanical life	> 100 mating cycles
Insulation resistance	> 100MΩ	—	—
Contact resistance	≤5mΩ	—	—
Ambient temperature	- 20 ~ + 105°C	—	—
IP Class	IP67	—	—

Order NO .	DGFA4S-A2-00A(H)	DGFA4S-B1-00A(H)	DGFA-00A(H)
Front View			

Dimension Figure



9 Pin Servo connector.

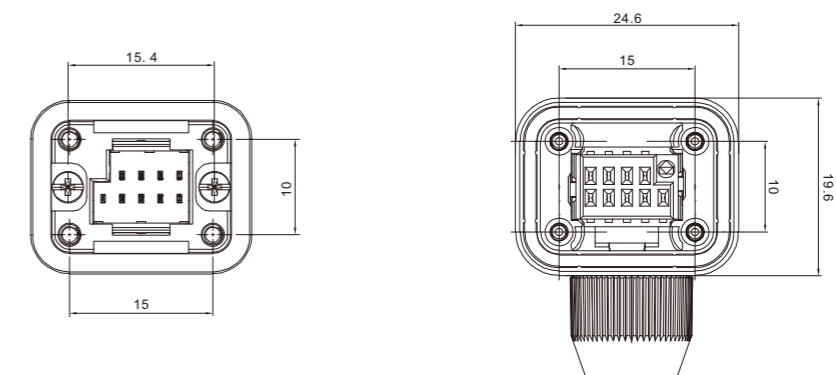


Technical Data

Series	Servo connector	Contact carriers material	PA
Number of Pins	9 Pin	Contact material	Copper Alloy, Gold-plated
Rated Current	1A	Seal	Silicone
Rated voltage	10V	Mechanical life	> 100 mating cycles
Insulation resistance	> 100MΩ	—	—
Contact resistance	≤5mΩ	—	—
Ambient temperature	- 20 ~ + 105°C	—	—
IP Class	IP67	—	—

Order NO .	DGFA9S-A1-00A(H)	DGFA-01A(H)	DGFA9S-B1-00A(H)	DGFA-02A(H)
Front View				

Dimension Figure

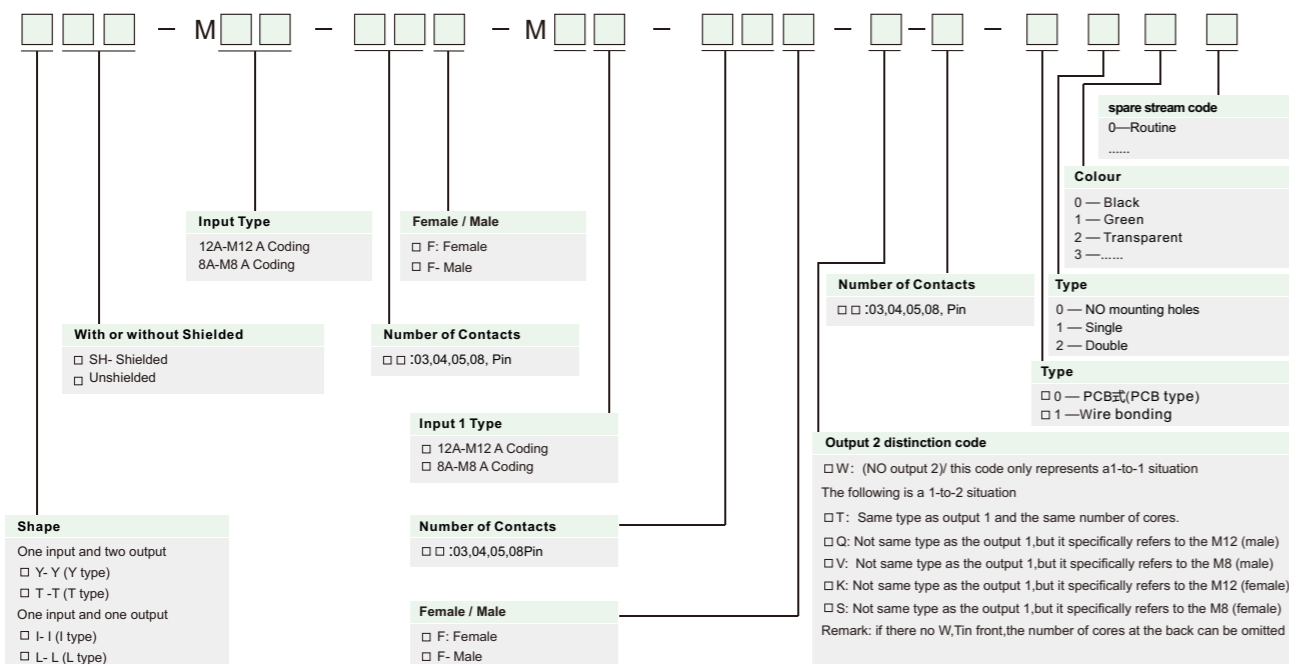




### Advantages / Features

- Single-line input, multi-line output.
- Cost saving, easy installation.
- Waterproof rating: IP67/684.
- Widely used in industrial automation, rail transit and other industries.

### The coding rule of M12, M8 distributor



For example:

1: FY-M12A-05M-M12A-05F-Q4-0100

Detail: unshielded Y-type distributor, input is M12A-05M Input 1 is M12A-05F, input 2 is M12A-04M  
01AH: internal connection : PCB type, with a mounting hole Color: black

Regular2: FY-M12A-04M-M8A-04F-T-1000

Detail: unshielded Y-type distributor, input is M12A-04M Output 1 is M8A-04F, output 2 is M8A-04F  
10AH: internal connection: wire bonding, no mounting holes Color: black

Regular3: FT-M8A-04M-M8A-03F-S4-0110

Detail: unshielded T-type distributor input is M8A-04M Input 1 is M8A-03F, input 2 is M8A-04F  
01BH: internal connection : PCB type, single mounting hole Color : green.

M12 T-type distributor, M12 A code  
Female X1 M12 A code  
Male / Female X1.

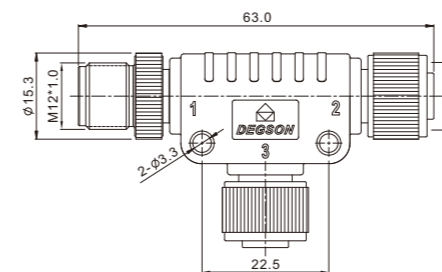


### Technical Data

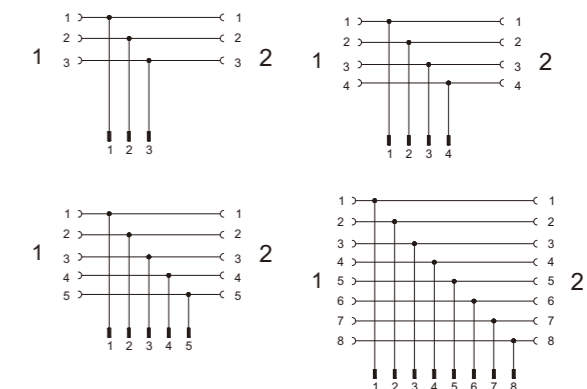
Standard	IEC 61076	Contact carriers material	PU
Series	M12	Contact material	Copper Alloy, Gold-plated
Number of Pins	03, 04, 05, 08 Pin	Metal of nut	Zinc Alloy with Nickel Plated
Rated Current	4A max.	Seal	Silicone
Rated voltage	250V max.	Shielding	Unshielded
Insulation resistance	≥ 100MΩ	Mechanical life	> 100 mating cycles
Contact resistance	≤ 5mΩ	—	—
Ambient temperature	- 25 ~ + 80°C	—	—
IP Class	IP68	—	—

Number of Pins		03 Pin	04 Pin	05 Pin	08 Pin
Coding	Coded	A-Coded	A-Coded	A-Coded	A-Coded
	Front View				
Rated current	A.	4A		4A	2A
Rated voltage	V.	250V		60V	30V
Description	Order NO .		Order NO .	Order NO .	Order NO .
—	FT-M12A-03F-M12A-03MK5-0200		FT-M12A-04F-M12A-04MK5-0200	FT-M12A-05F-M12A-05MK5-0200	FT-M12A-08F-M12A-08MK8-0200

### Size



### Circuit schematic



M12 T-type distributor, M12 A code MaleX1  
M12 A code FemaleX2.

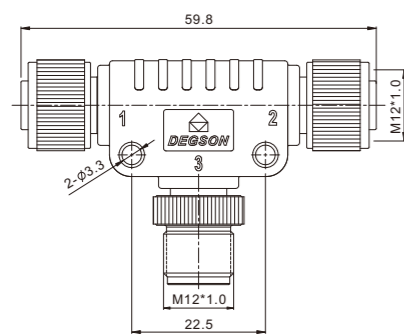


#### Technical Data

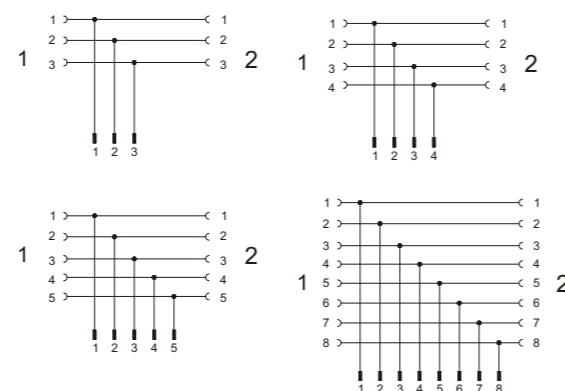
Standard	IEC 61076	Contact carriers material	PU
Series	M12, Male	Contact material	Copper Alloy, Gold-plated
Number of Pins	03,04,05,08 Pin	Metal of nut	Zinc Alloy with Nickel Plated
Rated Current	4A max.	Seal	Silicone
Rated voltage	250V max.	Shielding	Unshielded
Insulation resistance	≥100M Ω	Mechanical life	> 100 mating cycles
Contact resistance	≤5m Ω	—	—
Ambient temperature	-25 ~ +80°C	—	—
IP Class	IP68	—	—

Number of Pins		03 Pin	04 Pin	05 Pin	08 Pin
Coding	Coded	A-Coded	A-Coded	A-Coded	A-Coded
	Front View				
Rated current	A.	4A		4A	2A
Rated voltage	V.	250V		60V	30V
Description	Order NO .		Order NO .	Order NO .	Order NO .
—	FT-M12A-03M-M12A-03F-Q-0200		FT-M12A-04M-M12A-04F-Q-0200	FT-M12A-05M-M12A-05F-Q-0200	FT-M12A-08M-M12A-08F-Q-0200

#### Size



#### Circuit schematic



M12 T-type distributor, M12 A code FemaleX1  
M12 A code MaleX2.

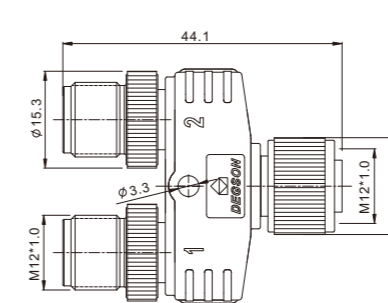


#### Technical Data

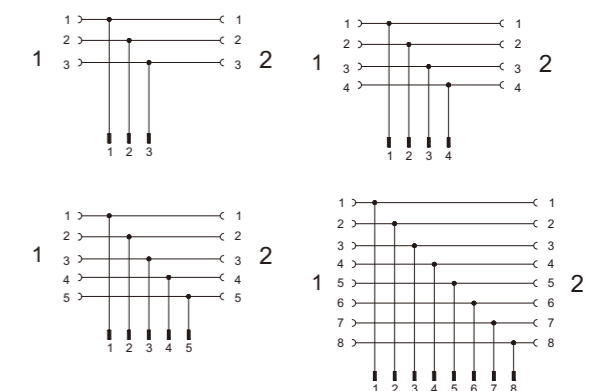
Standard	IEC 61076	Contact carriers material	PU
Series	M12	Contact material	Copper Alloy, Gold-plated
Number of Pins	03,04,05,08 Pin	Metal of nut	Zinc Alloy with Nickel Plated
Rated Current	4A max.	Seal	Silicone
Rated voltage	250V max.	Shielding	Unshielded
Insulation resistance	≥100M Ω	Mechanical life	> 100 mating cycles
Contact resistance	≤5m Ω	—	—
Ambient temperature	-25 ~ +80°C	—	—
IP Class	IP68	—	—

Number of Pins		03 Pin	04 Pin	05 Pin	08 Pin
Coding	Coded	A-Coded	A-Coded	A-Coded	A-Coded
	Front View				
Rated current	A.	4A		4A	2A
Rated voltage	V.	250V		60V	30V
Description	Order NO .		Order NO .	Order NO .	Order NO .
—	FY-M12A-03F-M12A-03M-T-0100		FY-M12A-04F-M12A-04M-T-0100	FY-M12A-05F-M12A-05M-T-0100	FY-M12A-08M-M12A-08F-T-0100

#### Size



#### Circuit schematic



M12 Y-type distributor, M12 A code Male X1  
M12 A code Female X2.

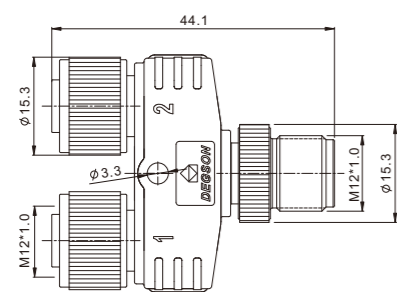


#### Technical Data

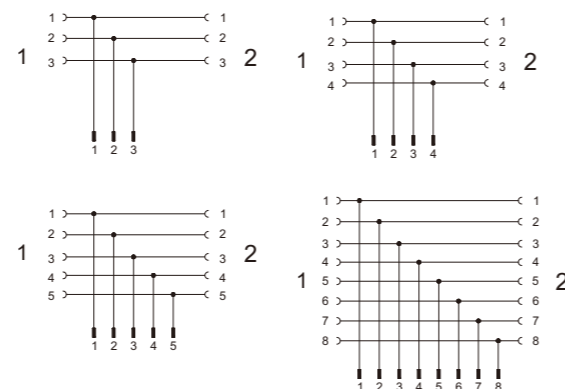
Standard	IEC 61076	Contact carriers material	PU
Series	M12, Male	Contact material	Copper Alloy, Gold-plated
Number of Pins	03,04,05,08 Pin	Metal of nut	Zinc Alloy with Nickel Plated
Rated Current	4A max.	Seal	Silicone
Rated voltage	250V max.	Shielding	Unshielded
Insulation resistance	≥100MΩ	Mechanical life	> 100 mating cycles
Contact resistance	≤5mΩ	—	—
Ambient temperature	-25 ~ +80°C	—	—
IP Class	IP68	—	—

Number of Pins		03 Pin	04 Pin	05 Pin	08 Pin
Coding	Coded	A-Coded		A-Coded	
	Front View				
Rated current	A.	4A		4A	2A
Rated voltage	V.	250V		60V	30V
Description		Order NO .		Order NO .	Order NO .
—		FY-M12A-03F-M12A-03M-Q-0100		FY-M12A-04F-M12A-04M-Q-0100	FY-M12A-05F-M12A-05M-Q-0100

#### Size



#### Circuit schematic



M8 Y-type distributor, M8 A code Male X1  
M8 A code Female X2.

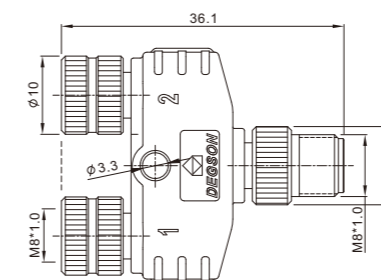


#### Technical Data

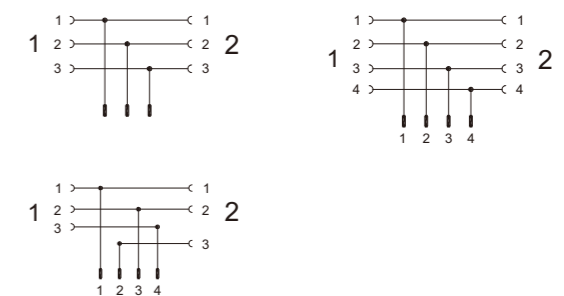
Standard	IEC 61076	Contact carriers material	PU
Series	M8	Contact material	Copper Alloy, Gold-plated
Number of Pins	03,04 Pin	Metal of nut	Copper Alloy with Nickel Plated
Rated Current	3A	Seal	Silicone
Rated voltage	60V	Shielding	Unshielded
Insulation resistance	≥100MΩ	Mechanical life	> 100 mating cycles
Contact resistance	≤5mΩ	—	—
Ambient temperature	-25 ~ +80°C	—	—
IP Class	IP68	—	—

Number of Pins		03 Pin	04 Pin	03, 04 Pin
Coding	Coded	A-Coded		A-Coded
	Front View			
Rated current	A.	3A	3A	3A
Rated voltage	V.	60V	60V	60V
Description		Order NO .	Order NO .	Order NO .
—		FY-M8A-03M-M8A-03F-T-0100	FY-M8A-04M-M8A-04F-T-0100	FY-M8A-04M-M8A-03F-T-0100

#### Size



#### Circuit schematic

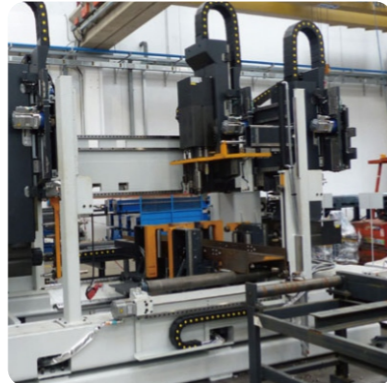


## FIELD OF APPLICATION

DEGSON connectors are widely used in robot, industrial automation, CNC equipment, textile machinery, rail transit, monitor and control unit, energy, communicate and so on various equipments requiring electrical, data and signal connection.



Transportation technology



CNC equipment

Rail transit



Industrial automation



Energy



Robot

Monitor and control unit



Communicate



## ENVIRONMENTAL POLICY

DEGSON realizes system regulation without lead in 2005 and has been granted ISO14001 in 2006. All the products conform to the European ROHS requirement.

DEGSON realizes the importance to protect environment resources, selfconsciously meets environment protection requirements for products and regards it as the responsibility.

Thus, we have made the following environment strategic policy:

- 1.To meet customers'demands and obey the national and local laws and regulations as well as other environmental protection requirements.
- 2.Take environmental protection as one criterion for continuing development of our company. Insist on fully development of quality, benefit and environmental protection.
- 3.Fully considering the factors which will influence the environment in the processes of product development, manufacturing, material usage and waste processing, establish management system of waste in order to improve the environment of our company.
- 4.To increase the employees' consciousness of environmental protection through training and to realize the continuing improvement of environment management system and the ability of environmental protection.
- 5.To make full use of resources and to decrease consumption of material in order to save energy.
- 6.To promise to our partners and society that we will make contribution to environment protection. There is only one Earth for our humanity.
- 7.To strive for making conservation-oriented and environment-friendly products through continuous innovation and developing new materials and technology.